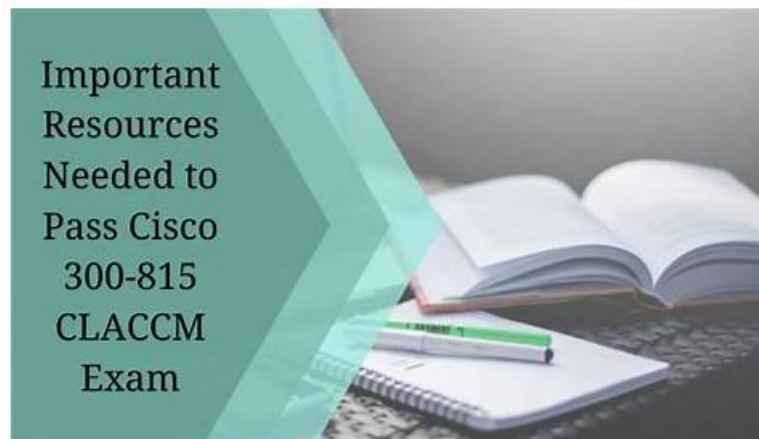


300-815 Test Cram, Practice 300-815 Exams Free



DOWNLOAD the newest Real4exams 300-815 PDF dumps from Cloud Storage for free: <https://drive.google.com/open?id=1SJCBLAabgl4bftcXhwGZQurzGBvTcCfy>

Choosing to participate in Cisco certification 300-815 exam is a wise choice, because if you have a Cisco 300-815 authentication certificate, your salary and job position will be improved quickly and then your living standard will provide at the same time. But passing Cisco certification 300-815 exam is not very easy, it need to spend a lot of time and energy to master relevant IT professional knowledge. Real4exams is a professional IT training website to make the training scheme for Cisco Certification 300-815 Exam. At first you can free download part of exercises questions and answers about Cisco certification 300-815 exam on www.Real4exams.com as a try, so that you can check the reliability of our product. Generally, if you have tried Real4exams's products, you'll very confident of our products.

Cisco 300-815 exam is designed for IT professionals who want to validate their skills in implementing advanced call control and mobility services using Cisco technologies. 300-815 exam is a part of the Cisco Certified Specialist - Collaboration Call Control and Mobility Implementation certification track, which focuses on advanced collaboration solutions. 300-815 exam tests the candidates' knowledge and skills in managing Cisco Unified Communications Manager (CUCM), Cisco Unity Connection, Cisco IM and Presence, and Cisco Expressway series. It also evaluates the candidates' expertise in implementing advanced call control and mobility services, such as SIP trunks, video integration, mobile and remote access, and Cisco Webex Teams integration.

Cisco 300-815 Certification Exam is designed for IT professionals who are seeking to validate their knowledge and skills in implementing advanced call control and mobility services within a Cisco collaboration solution. 300-815 exam is intended for candidates who have experience in configuring, implementing, and troubleshooting enterprise voice and video solutions. Successful candidates will have a deep understanding of the call control and mobility services offered by Cisco Unified Communications Manager (CUCM), Cisco Unity Connection, and Cisco Unified IM and Presence (IM&P).

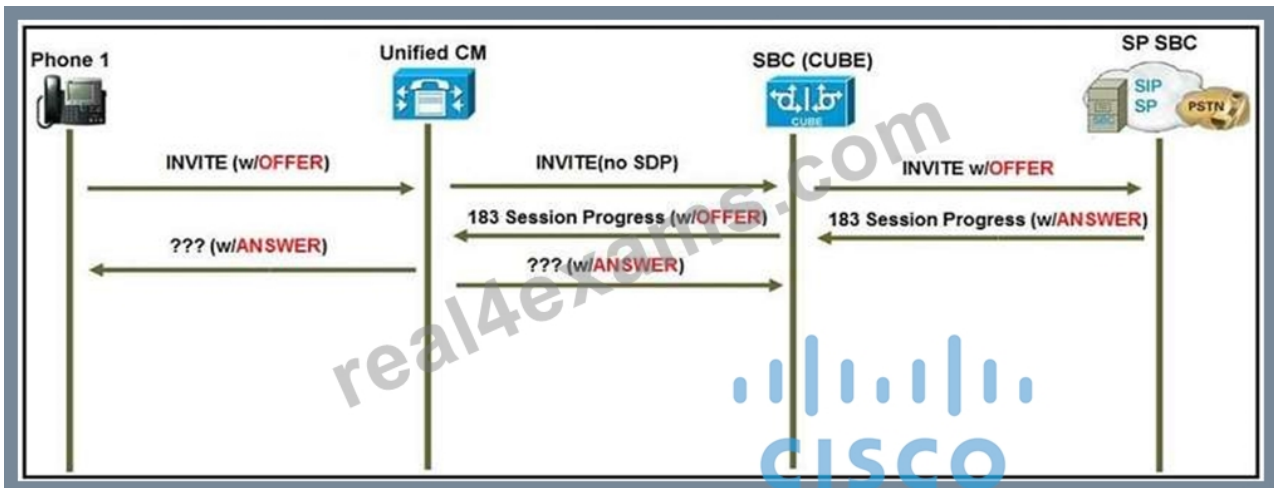
>> 300-815 Test Cram <<

300-815 Test Cram 100% Pass | High-quality Practice 300-815 Exams Free: Implementing Cisco Advanced Call Control and Mobility Services

Download Cisco 300-815 Real Exam Dumps Today. Today is the right time to learn new and in demands skills. You can do this easily, just get registered in Cisco 300-815 certification exam and start preparation with Cisco 300-815 exam dumps. The Implementing Cisco Advanced Call Control and Mobility Services 300-815 PDF Questions and practice test are ready for download. Just pay the affordable 300-815 authentic dumps charges and click on the download button. Get the Implementing Cisco Advanced Call Control and Mobility Services 300-815 latest dumps and start preparing today.

Cisco Implementing Cisco Advanced Call Control and Mobility Services Sample Questions (Q112-Q117):

NEW QUESTION # 112



Refer to the exhibit. A user reports that when they call a specific phone number, no one answers the call, but when they call from a mobile phone, the call is answered. The engineer troubleshooting the issue is expecting the far-end gateway to cut through audio on the 183 Session Progress SIP message. Which SIP Profile configuration element is necessary for the Cisco Unified Communications Manager to send acknowledgement of provisional responses?

- A. Early Offer for G Clear Calls must be enabled.
- **B. On the SIP Profile, the configuration parameter SIP RelXX Options must be set to Send PRACK for all 1xx Messages.**
- C. Accept Audio Codec Preferences in Received Offer must be set to On.
- D. Allow Passthrough of Configured Line Device Caller Information must be enabled.

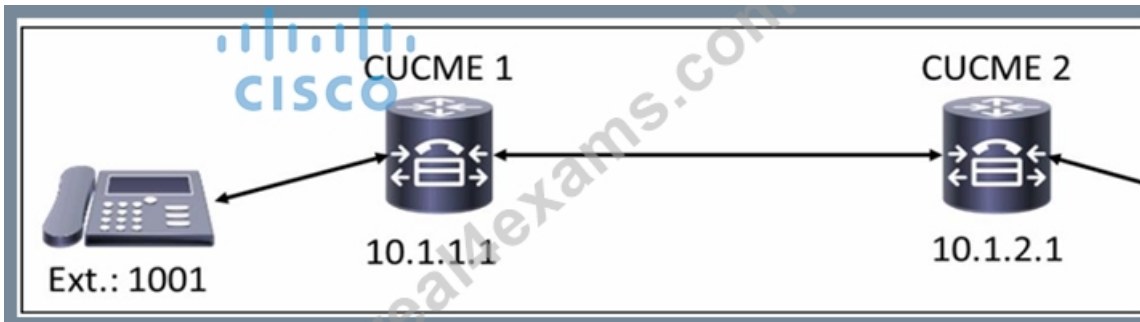
Answer: B

Explanation:

Section: Signaling and Media Protocols

NEW QUESTION # 113

Refer to the exhibit.



Refer to the exhibit. A company deploys an additional instance of Cisco UCME named CUCME 2 in a branch office. Phones in the main office are register of Unified CME named CUCME 1. Phones in the branch office are registered with their extension to CUCME 2. The engineer needs to configure CUCME the branch office using an 8-kbps codec. Which configuration should be applied to CUCME 1?

- **A.**

```
dial-peer voice 1 voip
destination-pattern 2...$
session target ipv4:10.1.2.1
session protocol sipv2
```
- **B.**

```
dial-peer voice 1 pots
destination-pattern 2...$
session target ipv4:10.1.2.1
session protocol sipv2
```

```
dial-peer voice 1 voip
 destination-pattern 2...$
 session target ipv4:10.1.2.1
 codec g711ulaw
```

• C.

```
dial-peer voice 1 voip
 destination-pattern 2...$
 session target ipv4:10.1.1.1
 session protocol sipv2
```

• D.

Answer: A

NEW QUESTION # 114

An administrator must control the number of calls to a remote specific site to reduce bandwidth constraints. The users on that remote site report bad quality of the calls passing through that WAN link. Which action must the administrator take in Cisco UCM to resolve the issue?

- A. Use RSPV.
- **B. Use Location Bandwidth Manager.**
- C. Use Call Allow Controller.
- D. Use Expressway deployment.

Answer: B

NEW QUESTION # 115

Phone A calls to phone B, but phone B has Call Forward All set to a PSTN number. The route list responsible for the phone B call to the PSTN has a standard local route group configured. Which route group must be used to send the call to the PSTN?

- A. route group from the phone B device pool
- B. standard local route group defined in the route group configuration
- **C. route group from the phone A device pool**
- D. route group defined in Standard Local Route Group section of Cisco UCM service parameters

Answer: C

NEW QUESTION # 116

Which built-in bridge configuration option can be set on the individual IP phones to ensure that the cluster-wide service parameter is used?

- A. on
- B. off
- C. automatic
- **D. default**

Answer: D

NEW QUESTION # 117

.....

300-815 study guide is obviously your best choice. 300-815 certification training' main advantage contains saving you a lot of time and improving your learning efficiency. With 300-815 guide torrent, you may only need to spend half of your time that you will need if you didn't use our products successfully passing a professional qualification exam. In this way, you will have more time to travel, go to parties and even prepare for another exam. The benefits of 300-815 Study Guide for you are far from being measured by money. 300-815 guide torrent has a first-rate team of experts, advanced learning concepts and a complete learning model. You give us a trust and we reward you for a better future.

Practice 300-815 Exams Free: https://www.real4exams.com/300-815_braindumps.html

- 2026 300-815 – 100% Free Test Cram | Valid Practice 300-815 Exams Free Open website 《 www.examcollectionpass.com 》 and search for [300-815] for free download Reliable 300-815 Braindumps Ppt
- TOP 300-815 Test Cram - Cisco Implementing Cisco Advanced Call Control and Mobility Services - Trustable Practice 300-815 Exams Free Open 《 www.pdfvce.com 》 and search for 300-815 to download exam materials for free Reliable 300-815 Braindumps Ppt
- 2026 300-815 – 100% Free Test Cram | Valid Practice 300-815 Exams Free Download [300-815] for free by simply searching on “ www.prep4away.com ” 300-815 Valid Test Blueprint
- Free PDF Quiz 2026 300-815: Implementing Cisco Advanced Call Control and Mobility Services Perfect Test Cram Open “ www.pdfvce.com ” enter ▷ 300-815 ◁ and obtain a free download 300-815 Test Book
- Reliable 300-815 Dumps 300-815 Test Questions Pdf New 300-815 Braindumps Files Simply search for ➡ 300-815 for free download on ✓ www.exam4labs.com ✓ 300-815 Reliable Torrent
- 300-815 Reliable Study Materials 300-815 Pdf Demo Download 300-815 Test Book Search for [300-815] and download it for free on ✓ www.pdfvce.com ✓ website Reliable 300-815 Test Notes
- Quiz Marvelous 300-815 - Implementing Cisco Advanced Call Control and Mobility Services Test Cram Search for ☀ 300-815 ☀ and easily obtain a free download on ☀ www.dumpsmaterials.com ☀ 300-815 Test Result
- Specifications of the Cisco 300-815 Desktop Practice Test Software { www.pdfvce.com } is best website to obtain ▷ 300-815 ◁ for free download 300-815 Test Result
- Quiz Marvelous 300-815 - Implementing Cisco Advanced Call Control and Mobility Services Test Cram Simply search for { 300-815 } for free download on ➡ www.examdiscuss.com 300-815 Test Book
- 300-815 Exam Questions 300-815 Test Questions Pdf 300-815 Premium Files Copy URL www.pdfvce.com open and search for ☀ 300-815 ☀ to download for free 300-815 Valid Test Blueprint
- 300-815 Test Book 300-815 Exam Flashcards 300-815 Exam Flashcards Immediately open ➤ www.vce4dumps.com and search for (300-815) to obtain a free download 300-815 Exams
- prestongdvx278823.gynoblog.com, annicumlv663786.dreamyblogs.com, bookmarkworm.com, emilyfpco046791.wikiworldstock.com, henrifsnl373980.59bloggers.com, anitaxsgt674932.angelinsblog.com, xanderxixi862512.national-wiki.com, nybookmark.com, bookmark-master.com, bookmarkahref.com, Disposable vapes

BTW, DOWNLOAD part of Real4exams 300-815 dumps from Cloud Storage: <https://drive.google.com/open?id=1SJCBlAabgl4bffcXhwGZQurzGBvTcCfy>