

HPE7-A02 Real Torrent & Latest HPE7-A02 Exam Format

10/30/24, 11:25 AM HP Aruba Certified Network Security Professional - HPE7-A02 Free Exam Questions [2024]
Limited Time Discount Offer! 15% Off - Ends in 02:14:15 - Use Discount Coupon Code AAT2024

Input your exam code ...

HP Aruba Certified Network Security Professional - HPE7-A02 Free Exam Questions

QUESTION NO: 1
A company uses HPE Aruba Networking ClearPass Policy Manager (CPPM) as a TACACS+ server to authenticate managers on its AOS-CX switches. You want to assign managers to groups on the AOS-CX switch by name. How do you configure this setting in a CPPM TACACS+ enforcement profile?

- A. Add the Shell service and set autoconf to the group name.
- B. Add the Shell service and set priv lvl to the group name.
- C. Add the Aruba Common service and set Aruba-Admin-Role to the group name.
- D. Add the Aruba Common service and set Aruba-Priv-Admin-User to the group name.

Hide answer/explanation Discussion 0

Correct Answer: C [Vote an answer](#)

To assign managers to groups on the AOS-CX switch by name using HPE Aruba Networking ClearPass Policy Manager (CPPM) as a TACACS+ server, you should add the Aruba service to the TACACS+ enforcement profile and set the Aruba-Admin-Role to the group name. This configuration ensures that the appropriate administrative roles are assigned to managers based on their group membership, allowing for role-based access control on the AOS-CX switches.

QUESTION NO: 2
You are using OpenSSL to obtain a certificate signed by a Certification Authority (CA). You have entered this command:
openssl req -new -out file1.pem -newkey rsa-3072 -keyout file2.pem
Enter PEM pass phrase: _____
Verifying - Enter PEM pass phrase: _____
Country Name (2 letter code) [AU]: US
State or Province Name (full name) (Some-State): California
Locality Name (eg, city) []: Sunnyvale
Organization Name (eg, company) [Internet Widgits Pty Ltd]: example.com
Organizational Unit Name (eg, section) []: Infrastructure
Common Name (e.g. server FQDN or YOUR name) []: radius.example.com
What is one guideline for continuing to obtain a certificate?

- A. You should use a third-party tool to encrypt file2.pem before sending it and file1.pem to the CA.
- B. You should concatenate file1.pem and file2.pem into a single file, and submit that to the desired CA to sign.
- C. You should submit file1.pem, but not file2.pem, to the desired CA to sign.
- D. You should submit file2.pem, but not file1.pem, to the desired CA to sign.

Hide answer/explanation Discussion 0

Correct Answer: C [Vote an answer](#)

When using OpenSSL to obtain a certificate signed by a Certification Authority (CA), you should submit the Certificate Signing Request (CSR) file, which is file1.pem, to the CA. The CSR contains the information about the entity requesting the certificate and the public key, but not the private key, which is in file2.pem. The CA uses the information in the CSR to create and sign the certificate.
1. CSR Submission: The CSR (file1.pem) contains the public key and the entity information required by the CA to issue a certificate.

[HAVE A QUESTION? CHAT NOW](#)
Chat now

<https://www.actual4test.com/exam/HPE7-A02-questions> 1/4

DOWNLOAD the newest ITPassLeader HPE7-A02 PDF dumps from Cloud Storage for free: <https://drive.google.com/open?id=1MVud6WOk8w0cOIKBBIwOQZfeGfoIG8BH>

The purchase procedure of our company's website is safe. The download, installation and using are safe and we guarantee to you that there are no virus in our product. We provide the best service and the best HPE7-A02 exam torrent to you and we guarantee that the quality of our product is good. Many people worry that the electronic HPE7-A02 Guide Torrent will boost virus and even some people use unprofessional anti-virus software which will misreport the virus. Please believe us because the service and the HPE7-A02 study materials are both good and that our product and website are absolutely safe without any virus.

HPE7-A02 exam is a computer-based test that consists of 60 multiple-choice questions. Candidates have two hours to complete the exam and must achieve a passing score of 75% or higher to earn the certification. HPE7-A02 exam is available in multiple languages, including English, Chinese, Japanese, and Spanish.

HPE7-A02 exam is an advanced level certification that is suitable for IT professionals who have experience in network security. HPE7-A02 Exam is designed to test candidates on their ability to design, implement, and manage secure enterprise networks. Candidates who pass the exam will have a deep understanding of security technologies such as firewalls, VPNs, and intrusion detection systems.

>> HPE7-A02 Real Torrent <<

Free PDF Perfect HP - HPE7-A02 Real Torrent

Customers of ITPassLeader will also get up to 90 days of HP Certified ICT Expert HPE7-A02 free real questions updates as a bonus perk. ITPassLeader not only provides the updated HP HPE7-A02 practice questions but also offers these excellent offers that make them the best option in the market. Don't wait anymore. Buy ITPassLeader's Aruba Certified Network Security Professional Exam (HPE7-A02) updated practice material today!

HP HPE7-A02, also known as the Aruba Certified Network Security Professional exam, is a certification exam designed to test the knowledge and skills of professionals working in the field of network security. HPE7-A02 Exam is focused on assessing the candidate's ability to design, implement, and manage secure network solutions using Aruba products and technologies.

HP Aruba Certified Network Security Professional Exam Sample Questions (Q150-Q155):

NEW QUESTION # 150

You manage AOS-10 APs with HPE Aruba Networking Central. A role is configured on these APs with the following rules:

- * Allow UDP on port 67 to any destination
- * Allow any to network 10.1.6.0/23
- * Deny any to network 10.1.0.0/16 + log
- * Deny any to network 10.0.0.0/8
- * Allow any to any destination

You add this new rule immediately before rule 2:

Deny SSH to network 10.1.4.0/23 + denylist

What happens when a client assigned to this role sends SSH traffic to 10.1.11.42?

- A. The traffic is dropped and logged.
- B. The traffic is dropped, and the client is denylisted.
- C. The traffic is dropped (without any logging or further action against the client).
- **D. The traffic is permitted.**

Answer: D

Explanation:

Comprehensive Detailed Explanation

* Traffic Match Evaluation Order:

* The rules are processed in sequential order, and the first rule that matches is applied.

* The added rule only denies SSH traffic to 10.1.4.0/23. Since 10.1.11.42 is not within the 10.1.4.0/23 subnet, this rule does not apply.

* Next Matching Rule:

* Rule 2 permits traffic to the 10.1.6.0/23 network, but this does not include 10.1.11.42.

* Rule 3 denies traffic to the broader 10.1.0.0/16 network and logs it. Since 10.1.11.42 falls under this range, this rule applies, and the traffic would be logged and dropped.

* Logging and Denylist Actions:

* The denylist action in the new rule only applies to SSH traffic to 10.1.4.0/23. Since the destination is outside that range, the denylist is not triggered.

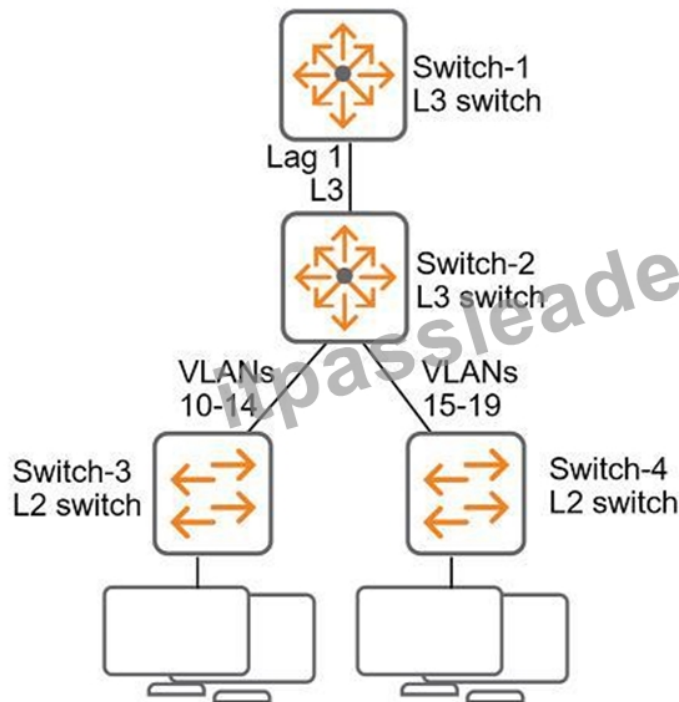
References

* Aruba AOS-10 Role and Firewall Rules Documentation.

* HPE Aruba Central Configuration Best Practices Guide.

NEW QUESTION # 151

Refer to the exhibit.



All of the switches in the exhibit are AOS-CX switches.

What is the preferred configuration on Switch-2 for preventing rogue OSPF routers in this network?

- A. Configure OSPF authentication on Lag 1 in MD5 mode.
- B. Disable OSPF entirely on VLANs 10-19.
- C. Configure passive-interface as the OSPF default and disable OSPF passive on Lag 1.
- D. Configure OSPF authentication on VLANs 10-19 in password mode.

Answer: A

Explanation:

To prevent rogue OSPF routers in the network shown in the exhibit, the preferred configuration on Switch-2 is to configure OSPF authentication on Lag 1 in MD5 mode. This setup enhances security by ensuring that only routers with the correct MD5 authentication credentials can participate in the OSPF routing process. This method protects the OSPF sessions against unauthorized devices that might attempt to introduce rogue routing information into the network.

1.OSPF Authentication: Implementing MD5 authentication on Lag 1 ensures that OSPF updates are secured with a cryptographic hash. This prevents unauthorized OSPF routers from establishing peering sessions and injecting potentially malicious routing information.

2.Secure Communication: MD5 authentication provides a higher level of security compared to simple password authentication, as it uses a more robust hashing algorithm.

3.Applicability: Lag 1 is the primary link between Switch-1 and Switch-2, and securing this link helps protect the integrity of the OSPF routing domain.

NEW QUESTION # 152

You need to set up HPE Aruba Networking ClearPass Policy Manager (CPPM) to provide certificate-based authentication of 802.1X supplicants.

How should you upload the root CA certificate for the supplicants' certificates?

- A. As a ClearPass Server certificate with the RADIUS/EAP usage
- B. As a Trusted CA with the AD/LDAP usage
- C. As a ClearPass Server certificate with the Database usage
- D. As a Trusted CA with the EAP usage

Answer: D

Explanation:

To set up HPE Aruba Networking ClearPass Policy Manager (CPPM) for certificate-based authentication of 802.1X supplicants, you need to upload the root CA certificate as a Trusted CA with the EAP usage. This configuration allows the ClearPass server to validate the certificates presented by the supplicants during the 802.1X authentication process. By marking the certificate for EAP usage, ClearPass can properly authenticate the supplicant devices using the trusted certificate authority (CA) that issued their certificates.

Reference: Configuration guidelines and best practices for ClearPass Policy Manager are available in Aruba's ClearPass documentation, specifically detailing the steps for uploading and configuring root CA certificates for EAP-based authentication.

NEW QUESTION # 153

A company has several use cases for using its AOS-CX switches' HPE Aruba Networking Network Analytics Engine (NAE). What is one guideline to keep in mind as you plan?

- A. Each switch model has a maximum number of supported monitors, and one agent might have multiple monitors.
- B. You can install multiple scripts on a switch, but you can deploy only one agent per script.
- C. The switch will permit you to deploy as many NAE agents as you want, but they might degrade the switch functionality.
- D. When you use custom scripts, you can create as many agents from each script as you want.

Answer: A

Explanation:

The Network Analytics Engine (NAE) in AOS-CX switches provides intelligent monitoring, troubleshooting, and performance analysis through predefined or custom scripts. Here's an analysis of the guidelines for NAE:

A: Each switch model has a maximum number of supported monitors, and one agent might have multiple monitors.

* Correct:

* Each AOS-CX switch model has hardware and software limitations, including the number of agents and monitors it supports.

* Monitors are data collection points for tracking specific metrics like interface statistics, CPU usage, or custom-defined parameters.

* Agents are scripts that use monitors to evaluate data, trigger actions, or generate alerts.

* Since one agent can have multiple monitors, the total number of monitors might impact the scalability of agents.

B: You can install multiple scripts on a switch, but you can deploy only one agent per script.

* Incorrect:

* Multiple agents can be deployed from the same script if they monitor different parameters or have different configurations.

* The limitation is usually related to the total number of agents and monitors supported by the switch model, not the script itself.

C: The switch will permit you to deploy as many NAE agents as you want, but they might degrade the switch functionality.

* Incorrect:

* AOS-CX enforces hardware and software limits on the number of agents and monitors. These limits are designed to prevent degradation of switch performance.

* You cannot deploy an unlimited number of agents, as the system enforces these restrictions.

D: When you use custom scripts, you can create as many agents from each script as you want.

* Incorrect:

* While you can use custom scripts to create agents, the total number of agents is subject to the switch's maximum supported limits.

* The scalability of agents is still bound by hardware and software constraints, even with custom scripts.

References

* HPE Aruba AOS-CX Network Analytics Engine Configuration Guide.

* Aruba AOS-CX Switch Series Technical Specifications.

* Best Practices for NAE Deployment in AOS-CX Networks.

NEW QUESTION # 154

The following firewall role is configured on HPE Aruba Networking Central-managed APs:

```
wlan access-rule employees
```

```
index 3
```

```
rule any any match 17 67 67 permit
```

```
rule any any match any 53 53 permit
```

```
rule 10 5 5.0 255.255 255.0 match any any any deny
```

```
rule 10.5 0.0 255.255 0.0 match 6 80 80 permit
```

```
rule 10.5 0.0 255.255.0.0 match 6 443 443 permit
```

```
rule 10.5.0.0 255.255.0.0 match any any any deny
```

```
rule any any match any any any permit
```

A client has authenticated and been assigned to the employees role. The client has IP address 10.2.2.2. Which correctly describes behavior in this policy?

- A. HTTPS traffic from 10.2.2.2 to 10.5.5.5 is denied.
- B. Traffic from 198.51.100.12 in an active HTTP session between 10.2.2.2 and 198.51.100.12 is denied.
- C. HTTPS traffic from 10.2.2.2 to 203.0.113.12 is denied.
- D. Traffic from 10.5.3.3 in an active HTTPS session between 10.2.2.2 and 10.5.3.3 is permitted.

Answer: A

Explanation:

* Policy Analysis:

* Rule Evaluation Order: Rules are applied in sequential order until a match is found.

* Key Points:

* DHCP traffic (UDP 67) is permitted.

* DNS traffic (UDP 53) is permitted.

* Traffic to 10.5.5.0/24 is explicitly denied.

* HTTP traffic (TCP 80) is allowed only to 10.5.0.0/16.

* HTTPS traffic (TCP 443) is allowed only to 10.5.0.0/16.

* All other traffic to 10.5.0.0/16 is denied.

* Any other traffic not matching the above rules is permitted.

* Scenario Analysis:

* The client IP 10.2.2.2 does not fall within the 10.5.0.0/16 subnet.

* Rule 3 denies traffic to 10.5.5.5, regardless of the source IP.

* Option A: Correct. HTTPS traffic to 10.5.5.5 is explicitly denied by Rule 3.

* Option B: Incorrect. Traffic to 203.0.113.12 is permitted due to the final "permit any" rule.

* Option C: Incorrect. The client (10.2.2.2) does not belong to the subnet 10.5.0.0/16, so traffic to 10.5.3.3 is not permitted by Rule 5.

* Option D: Incorrect. HTTP traffic to 198.51.100.12 is allowed by the last "permit any" rule.

NEW QUESTION # 155

.....

Latest HPE7-A02 Exam Format: <https://www.itpassleader.com/HP/HPE7-A02-dumps-pass-exam.html>

- Aruba Certified Network Security Professional Exam sure pass guide - HPE7-A02 pdf study torrent Search for HPE7-A02 and download exam materials for free through [www.examdiscuss.com] Online HPE7-A02 Test
- Free PDF HPE7-A02 - Aruba Certified Network Security Professional Exam-Valid Real Torrent Immediately open www.pdfvce.com and search for HPE7-A02 to obtain a free download Valid Braindumps HPE7-A02 Ebook
- HPE7-A02 VCE Dumps HPE7-A02 Best Preparation Materials HPE7-A02 Best Preparation Materials Search for HPE7-A02 and download it for free on www.validtorrent.com website HPE7-A02 VCE Dumps
- Online HPE7-A02 Test Test HPE7-A02 Collection Pdf Latest HPE7-A02 Exam Dumps Open www.pdfvce.com enter HPE7-A02 and obtain a free download New HPE7-A02 Cram Materials
- Reliable Exam HPE7-A02 Pass4sure Reliable Exam HPE7-A02 Pass4sure Reliable Exam HPE7-A02 Pass4sure Simply search for (HPE7-A02) for free download on www.pass4test.com Valid Braindumps HPE7-A02 Ebook
- HPE7-A02 Test Braindumps: Aruba Certified Network Security Professional Exam - HPE7-A02 Exam Collection * Search for (HPE7-A02) and download exam materials for free through www.pdfvce.com New HPE7-A02 Test Practice
- New Exam HPE7-A02 Materials Practice HPE7-A02 Test Engine HPE7-A02 Instant Discount Go to website www.validtorrent.com open and search for HPE7-A02 to download for free New HPE7-A02 Cram Materials
- Free PDF Useful HP - HPE7-A02 Real Torrent Copy URL www.pdfvce.com open and search for HPE7-A02 to download for free New Exam HPE7-A02 Materials
- HPE7-A02 Test Braindumps: Aruba Certified Network Security Professional Exam - HPE7-A02 Exam Collection Search for HPE7-A02 and obtain a free download on www.testkingpass.com Latest HPE7-A02 Exam Dumps
- Free PDF 2026 Useful HP HPE7-A02 Real Torrent Search for HPE7-A02 and easily obtain a free download on www.pdfvce.com Valid Test HPE7-A02 Braindumps

- HPE7-A02 Test Braindumps: Aruba Certified Network Security Professional Exam - HPE7-A02 Exam Collection □
Simply search for ➡ HPE7-A02 □ for free download on ➡ www.exam4labs.com □ □New HPE7-A02 Test Practice
- tasneemvae086978.wikiconversation.com, karimcys359128.dgbloggers.com, tiannaxgtt040993.wikibestproducts.com, charlieitdj962873.luwebs.com, kobitbtx067246.wiki-cms.com, socialbaskets.com, socialbuzzmaster.com, pennyknva596720.csublogs.com, tasneemsno599601.blogs100.com, bookmarklinkz.com, Disposable vapes

P.S. Free & New HPE7-A02 dumps are available on Google Drive shared by ITPassLeader: <https://drive.google.com/open?id=1MVud6WOk8w0cOIKBBIwOQZfeGfoIG8BH>