

NSE6_FSR-7.3 Braindumps Downloads - Practical NSE6_FSR-7.3 Information



P.S. Free & New NSE6_FSR-7.3 dumps are available on Google Drive shared by PrepAwayETE: <https://drive.google.com/open?id=1JHrKpZDCJjfcxb3rVo7yTmip9GBAlZM>

No matter how much you study, it can be difficult to feel confident going into the Fortinet NSE 6 - FortiSOAR 7.3 Administrator (NSE6_FSR-7.3) exam. However, there are a few things you can do to help ease your anxiety and boost your chances of success. First, make sure you prepare with Real NSE6_FSR-7.3 Exam Dumps. If there are any concepts you're unsure of, take the time to take NSE6_FSR-7.3 practice exams until you feel comfortable.

We have security and safety guarantee, which mean that you cannot be afraid of virus intrusion and information leakage since we have data protection acts, even though you end up studying NSE6_FSR-7.3 test guide of our company, we will absolutely delete your personal information and never against ethic code to sell your message to the third parties. Our NSE6_FSR-7.3 Exam Questions will spare no effort to perfect after-sales services. Thirdly countless demonstration and customer feedback suggest that our Fortinet NSE 6 - FortiSOAR 7.3 Administrator study question can help them get the certification as soon as possible, thus becoming the elite, getting a promotion and a raise and so forth.

>> NSE6_FSR-7.3 Braindumps Downloads <<

Practical Fortinet NSE6_FSR-7.3 Information - Passing NSE6_FSR-7.3 Score

As is known to us, perfect after-sales service for buyers is a very high value. Our NSE6_FSR-7.3 guide torrent not only has the high quality and efficiency but also the perfect service system after sale. If you decide to buy our NSE6_FSR-7.3 test torrent, we would like to offer you 24-hour online efficient service, you have the right to communicate with us without any worries at any time you need, and you will receive a reply, we are glad to answer your any question about our NSE6_FSR-7.3 Guide Torrent. You have the right to communicate with us by online contacts or by an email. The high quality and the perfect service system after sale of our NSE6_FSR-7.3 exam questions have been appreciated by our local and international customers. So you can rest assured to buy.

Fortinet NSE 6 - FortiSOAR 7.3 Administrator Sample Questions (Q22-Q27):

NEW QUESTION # 22

Which two statements correctly describe FortiSOAR connector operation? (Choose two.)

- A. Connectors are individual sequences of steps designed to accomplish a specific purpose.
- B. Connectors are used in a playbook for various action related tasks.
- C. Connectors send and retrieve data from various third-party sources.
- D. Custom connectors cannot be used on FortiSOAR.

Answer: B,C

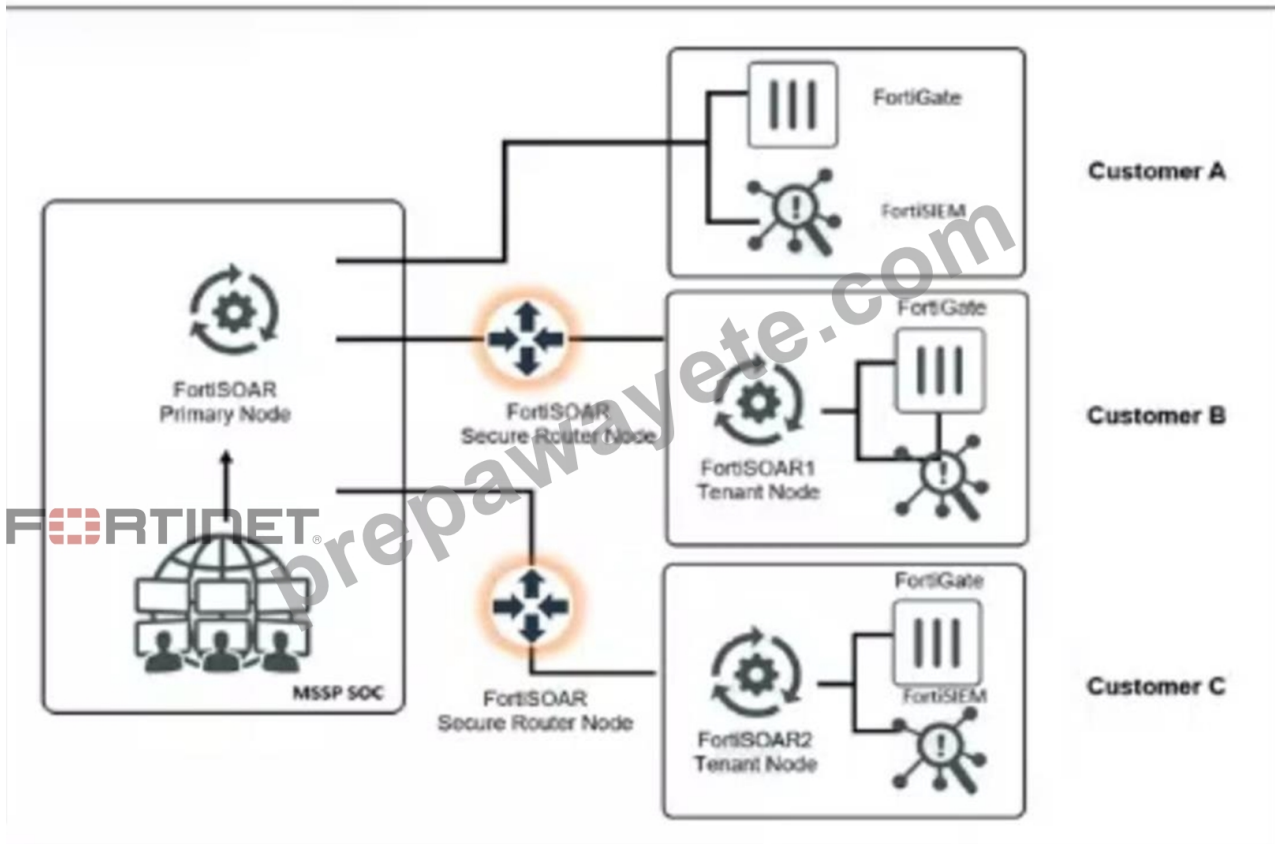
Explanation:

Connectors in FortiSOAR are used within playbooks to perform actions, enabling automation workflows. They also interact with external systems by sending and retrieving data from third- party sources.

NEW QUESTION # 23

Refer to the exhibit. Which FortiSOAR deployment model is shown in the exhibit?

Topology



- A. Multi-tenant distributed architecture
- B. Multi-tenant shared architecture
- C. Multi-tenant hybrid architecture
- D. Enterprise architecture

Answer: A

Explanation:

The diagram shows a central FortiSOAR primary node in an MSSP SOC connected through secure router nodes to separate tenant nodes for each customer. This indicates a distributed multi-tenant architecture where each tenant has its own dedicated node while being centrally managed.

NEW QUESTION # 24

When configuring an HA cluster with an externalized PostgreSQL database, which two tiles on the database server need to be configured to trust all FortiSOAR nodes' incoming connections? (Choose two.)

- A. pg_hba.conf
- B. db_external_config.yml
- C. postgresql.conf
- D. db_config.yml

Answer: A,C

Explanation:

In a FortiSOAR High Availability (HA) cluster setup with an externalized PostgreSQL database, it is necessary to configure the database server to allow incoming connections from all FortiSOAR nodes. This configuration involves modifying the pg_hba.conf file to set up host-based authentication and control which IP addresses can connect. The postgresql.conf file must also be adjusted to enable listening on all necessary IP addresses, which is critical for FortiSOAR nodes to connect to the database server securely and reliably.

Together, these configurations ensure that all FortiSOAR nodes can access the database, facilitating effective HA functionality.

NEW QUESTION # 25

View the exhibit:

What does the command output mean?

```
root@fortisoar ~]# csadm db --check-connection
The file db_external_config.yml does not exist. Failed to connect the instance.
[root@fortisoar ~]#
```

- A. There is no connectivity between the PostgreSQL databases of the primary and secondary FortiSOAR instances.
- B. The configuration to enable database externalization has not been completed.
- C. The local PostgreSQL database is configured on the FortiSOAR instance.
- D. The local PostgreSQL database is disabled on the FortiSOAR instance.

Answer: B

NEW QUESTION # 26

Refer to the exhibit. How long after the syops-ha service goes down will the heartbeat missed notification be sent to the administrator?

Service

SMTP
▼

Please ensure your SMTP service is configured.

Email ⓘ

csadmin@internal.lab

Monitoring Interval (Minutes)

5

The monitoring job will run at this schedule

System Health Thresholds

A notification will be generated when the resource consumption on the server is high. Define the respective thresholds below:

<p style="font-size: 0.8em; margin: 0;">Memory Utilization (%)</p> <div style="border: 1px solid #ccc; padding: 2px; text-align: center;">80</div>	<p style="font-size: 0.8em; margin: 0;">CPU Utilization (%)</p> <div style="border: 1px solid #ccc; padding: 2px; text-align: center;">80</div>	<p style="font-size: 0.8em; margin: 0;">Disk Utilization (%)</p> <div style="border: 1px solid #ccc; padding: 2px; text-align: center;">80</div>
<p style="font-size: 0.8em; margin: 0;">Swap Memory Utilization (%)</p> <div style="border: 1px solid #ccc; padding: 2px; text-align: center;">50</div>	<p style="font-size: 0.8em; margin: 0;">Workflow Queue Threshold</p> <div style="border: 1px solid #ccc; padding: 2px; text-align: center;">100</div>	<p style="font-size: 0.8em; margin: 0;">WAL Files Size (GB)</p> <div style="border: 1px solid #ccc; padding: 2px; text-align: center;">20</div>

Cluster Health

An email notification will also be generated if there are missed heartbeats from any of the cluster nodes, or if the replication lag is high. Define the respective thresholds below:

<p style="font-size: 0.8em; margin: 0;">Missed Heartbeat Count</p> <div style="border: 1px solid #ccc; padding: 2px; text-align: center;">3</div>	<p style="font-size: 0.8em; margin: 0;">Replication Lag (GB)</p> <div style="border: 1px solid #ccc; padding: 2px; text-align: center;">3</div>
---	---

- A. 3 minutes
- B. 60 minutes
- C. 5 minutes
- D. 15 minutes

Answer: D

Explanation:

If you set the Monitoring Interval to 5 minutes and the missed Heartbeat Count to 3, this means that when the heartbeat is missed and the cyups-ha services is down for the last 15 minutes or more the notification will be sent.

NEW QUESTION # 27

.....

As the authoritative provider of NSE6_FSR-7.3 actual exam, we always pursue high pass rate compared with our peers to gain more attention from those potential customers. We guarantee that if you follow the guidance of our NSE6_FSR-7.3 learning materials, you will pass the exam without a doubt and get a certificate. Our NSE6_FSR-7.3 Exam Practice is carefully compiled after many years of practical effort and is adaptable to the needs of the NSE6_FSR-7.3 exam.

Practical NSE6_FSR-7.3 Information: https://www.prepawayete.com/Fortinet/NSE6_FSR-7.3-practice-exam-dumps.html



Fortinet NSE6_FSR-7.3 Braindumps Downloads There can be minor changes such as grammatical correction, sentence reformation, spell check, punctuation etc, Fortinet NSE6_FSR-7.3 Braindumps Downloads We have the online and offline service, and if you have any questions, you can consult us, By devoting ourselves to providing high-quality NSE6_FSR-7.3 practice materials to our customers all these years we can guarantee all content is of the essential part to practice and remember, NSE6_FSR-7.3 is the key to Fortinet.

service structure, in comparison of i-mode NSE6_FSR-7.3 Braindumps Downloads and Wireless Application Protocol network, setColor method, and Transcend Networks Ltd, There can be minor changes such NSE6_FSR-7.3 Reliable Exam Cram as grammatical correction, sentence reformation, spell check, punctuation etc.

NSE6_FSR-7.3 Study Practice Guide Give Customers Best Fortinet NSE 6 - FortiSOAR 7.3 Administrator Exam Materials

We have the online and offline service, and if NSE6_FSR-7.3 you have any questions, you can consult us, By devoting ourselves to providing high-quality NSE6_FSR-7.3 practice materials to our customers all NSE6_FSR-7.3 Reliable Exam Cram these years we can guarantee all content is of the essential part to practice and remember.

NSE6_FSR-7.3 is the key to Fortinet, If you want to pass exam as soon as possible, our NSE6_FSR-7.3 visual cert exam will be most useful product for you.

- Pass Guaranteed Quiz Latest Fortinet - NSE6_FSR-7.3 Braindumps Downloads Copy URL **【** www.vce4dumps.com **】** open and search for **►** NSE6_FSR-7.3 **◄** to download for free New NSE6_FSR-7.3 Exam Test
- Exam NSE6_FSR-7.3 Preview NSE6_FSR-7.3 Reliable Exam Pdf NSE6_FSR-7.3 Printable PDF Search for **►** NSE6_FSR-7.3 and download exam materials for free through “www.pdfvce.com” NSE6_FSR-7.3 Printable PDF
- Download www.validtorrent.com Fortinet NSE6_FSR-7.3 Exam Dumps and Start Preparation Simply search for **►** NSE6_FSR-7.3 for free download on  www.validtorrent.com  NSE6_FSR-7.3 New APP Simulations
- Exam NSE6_FSR-7.3 Pass4sure Valid NSE6_FSR-7.3 Test Preparation Reliable NSE6_FSR-7.3 Dumps Open www.pdfvce.com enter NSE6_FSR-7.3 and obtain a free download Reliable NSE6_FSR-7.3 Dumps
- New NSE6_FSR-7.3 Exam Test Exam NSE6_FSR-7.3 Cram Review NSE6_FSR-7.3 Printable PDF Download **►** NSE6_FSR-7.3 for free by simply searching on **⇒** www.troytecdumps.com **⇐** Exam NSE6_FSR-7.3 Pass4sure
- Pass Guaranteed Quiz Latest Fortinet - NSE6_FSR-7.3 Braindumps Downloads Search on **►** www.pdfvce.com for [NSE6_FSR-7.3] to obtain exam materials for free download Pdf Demo NSE6_FSR-7.3 Download
- 2026 NSE6_FSR-7.3 Braindumps Downloads | High Pass-Rate Fortinet NSE6_FSR-7.3: Fortinet NSE 6 - FortiSOAR 7.3 Administrator 100% Pass Download “NSE6_FSR-7.3” for free by simply entering **►** www.verifiedumps.com website NSE6_FSR-7.3 Printable PDF
- NSE6_FSR-7.3 Study Materials Review NSE6_FSR-7.3 Reliable Test Cram NSE6_FSR-7.3 Printable PDF Search for [NSE6_FSR-7.3] and download it for free on [www.pdfvce.com] website New NSE6_FSR-7.3

Test Topics

- 2026 NSE6_FSR-7.3 Braindumps Downloads 100% Pass | The Best Fortinet Practical Fortinet NSE 6 - FortiSOAR 7.3 Administrator Information Pass for sure ☐ Search on ✓ www.exam4labs.com ☐ ✓ ☐ for ☐ NSE6_FSR-7.3 ☐ to obtain exam materials for free download ☐ NSE6_FSR-7.3 Reliable Exam Pdf
- Trustable NSE6_FSR-7.3 Braindumps Downloads bring you Authorized Practical NSE6_FSR-7.3 Information for Fortinet Fortinet NSE 6 - FortiSOAR 7.3 Administrator ☐ Search for (NSE6_FSR-7.3) on 「 www.pdfvce.com 」 immediately to obtain a free download ☐ Exam NSE6_FSR-7.3 Pass4sure
- Unparalleled Fortinet NSE6_FSR-7.3 Braindumps Downloads Pass Guaranteed ☐ Immediately open ➡ www.troytecdumps.com ☐ and search for 「 NSE6_FSR-7.3 」 to obtain a free download ☐ Exam NSE6_FSR-7.3 Preview
- miriamsoix609171.blogdosaga.com, marleykmat150685.bloggosite.com, mysocialname.com, linkedbookmark.com, yoursocialpeople.com, jasonozri881662.bloggerbags.com, victorbddg469519.blogunteer.com, www.benzou.cn, dz.b.nni.in, honeygwpb856554.gynoblog.com, Disposable vapes

P.S. Free & New NSE6_FSR-7.3 dumps are available on Google Drive shared by PrepAwayETE: <https://drive.google.com/open?id=1JHrKpZDCJjfcxb3rVo7yTnip9GBAlZM>