

Latest SRAN-Radio-Network-Performance-Optimization Test Practice - SRAN-Radio-Network-Performance-Optimization Valid Exam Pattern



In order to survive in the society and realize our own values, learning our SRAN-Radio-Network-Performance-Optimization practice engine is the best way. Never stop improving yourself. The society warmly welcomes struggling people. You will really benefit from your correct choice. Our SRAN-Radio-Network-Performance-Optimization Study Materials are ready to help you pass the exam and get the certification. You can certainly get a better life with the certification. Please make a decision quickly. We are waiting for you to purchase our SRAN-Radio-Network-Performance-Optimization exam questions.

Most of the materials on the market do not have a free trial function. Even some of the physical books are sealed up and cannot be read before purchase. As a result, many students have bought materials that are not suitable for them and have wasted a lot of money. But SRAN-Radio-Network-Performance-Optimization guide torrent will never have similar problems, not only because SRAN-Radio-Network-Performance-Optimization exam torrent is strictly compiled by experts according to the syllabus, which are fully prepared for professional qualification examinations, but also because SRAN-Radio-Network-Performance-Optimization Guide Torrent provide you with free trial services. Before you purchase, you can log in to our website and download a free trial question bank to learn about SRAN-Radio-Network-Performance-Optimization study tool.

>> Latest SRAN-Radio-Network-Performance-Optimization Test Practice <<

Quiz Nokia - High Hit-Rate Latest SRAN-Radio-Network-Performance-Optimization Test Practice

When we choose the employment work, you will meet a bottleneck, how to let a company to choose you to be a part of him? We would say ability, so how does that show up? There seems to be only one quantifiable standard to help us get a more competitive job, which is to get the test SRAN-Radio-Network-Performance-Optimization certification and obtain a qualification. If you want to have a good employment platform, then take office at the same time there is a great place to find that we have to pay attention to the importance of qualification examination.

Nokia MN: NCSS NPS - SRAN Radio Network Performance Optimization Certification Exam | GS40-NPS-SRPER-E-S03-2510 Sample Questions (Q16-Q21):

NEW QUESTION # 16

In the context of radio capacity management, what is the significance of Scheduling Request periodicity?

- A. It affects the latency and number of connected users.
- B. It controls the downlink throughput.
- C. It sets the maximum number of SSBs.
- D. It determines the modulation scheme used.

Answer: A

Explanation:

The correct answer is C .

Scheduling Request , or SR , is used by the UE to request uplink resources when it has uplink data to send.

The SR periodicity defines how often the UE gets an opportunity to send this scheduling request.

A shorter SR periodicity means the UE can request uplink resources more quickly, which improves uplink latency. However, it consumes more PUCCH/control-channel resources, reducing the number of UEs that can be efficiently supported.

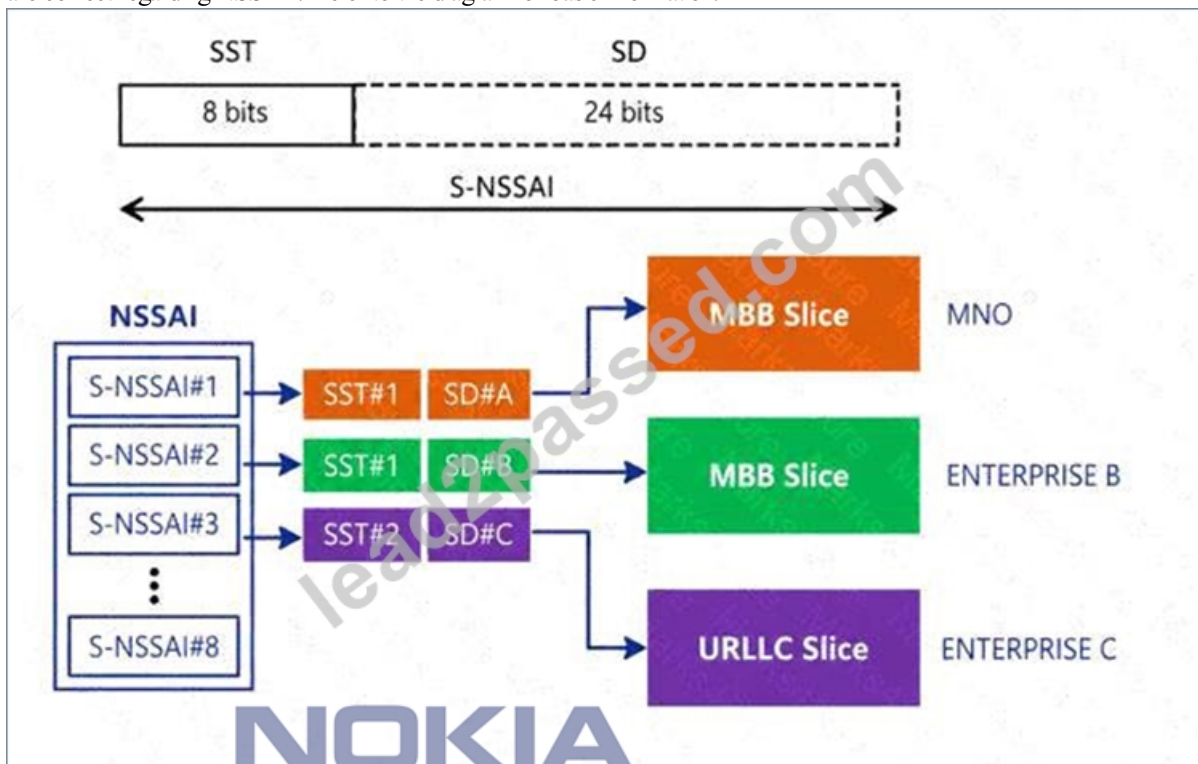
A longer SR periodicity saves control-channel resources and can support more connected users, but it increases uplink access delay.

Therefore, SR periodicity is important because it creates a trade-off between:

Lower latency and higher connected-user capacity.

NEW QUESTION # 17

Single Network Slice Selection Assistance Information , or S-NSSAI , identifies a network slice. Which of the following statements are correct regarding NSSAI ? Refer to the diagram for basic information.



- A. SD , or Slice Differentiator , is an optional parameter that identifies or differentiates slices.
- B. A and B
- C. B, C, and D
- **D. The SST field may have standardized and non-standardized values.**
- E. A, B, and C
- F. SST , or Slice/Service Type , is a mandatory numeric parameter that refers to defined slice characteristics.
- G. A, B, C, and D
- H. SD , or Slice Differentiator , pairs with SST , or Slice/Service Type , to uniquely define a slice.

Answer: D

Explanation:

The correct answer is D: A, B, C, and D .

In 5G network slicing, S-NSSAI identifies a single network slice. It is composed of:

SST , or Slice/Service Type

SD , or Slice Differentiator

Statement A is correct.

The combination of SST + SD can uniquely identify a slice. For example, two slices may both use SST 1 for eMBB/MBB-type service, but different SD values can separate them for different enterprises, tenants, or service groups.

Statement B is correct.

SST is mandatory. It is an 8-bit numeric field that indicates the expected slice/service behavior, such as eMBB, URLLC, or mMTC.

Statement C is correct.

SD is optional. It is a 24-bit field used to differentiate multiple slices that may share the same SST.

Statement D is correct.

SST may use standardized values, such as SST 1 for eMBB, SST 2 for URLLC, and SST 3 for mMTC/MIoT.

It may also use operator-specific or non-standardized values depending on deployment requirements.

NEW QUESTION # 18

Which of the following statements about CBRA , or contention-based random access , is correct?

- A. If the RACH procedure fails for an NSA UE, it reports the failure to the eNB via the 4G RRC connection, and the eNB informs the gNB via the X2 connection.
- **B. If there is no existing connection between the UE and the RAN, the UE autonomously selects a preamble from the provided range and starts the access procedure.**
- C. If the RACH preamble is not particularly robustly coded, there is a risk that random noise combines into something that the BTS receiver interprets as a valid preamble.
- D. If there is already an existing connection, the gNB can instruct the UE to use a specific, dedicated preamble. Therefore, there is no risk of preamble collision, and contention resolution is not needed.

Answer: B

Explanation:

The correct answer is B .

In contention-based random access , the UE chooses a random access preamble by itself from a configured pool of available contention-based preambles. This is typically used when the UE does not yet have a dedicated connection or when the network has not assigned a dedicated preamble.

Because multiple UEs may choose the same preamble at the same time, preamble collision is possible . That is why CBRA requires a contention resolution step.

Option C describes contention-free random access , not CBRA. In contention-free random access, the network assigns a dedicated preamble to the UE, so collision risk is avoided and contention resolution is not required.

Option A is not the correct CBRA principle being tested. RACH false detection can be a receiver/design issue, but it does not define the CBRA procedure.

Option D describes a possible NSA signaling behavior around access failure handling, but it is not the core correct definition of CBRA.

Therefore, the correct CBRA statement is:

The UE autonomously selects a preamble from the configured range and starts the random access procedure.

NEW QUESTION # 19

The slice type SST value for Extreme Broadband is typically:

- **A. 0**
- B. 1
- C. 2
- D. 3

Answer: A

Explanation:

The correct answer is B .

In 5G network slicing, SST means Slice/Service Type . It identifies the high-level service category of a network slice.

Typical standardized SST values are:

SST = 1 # eMBB, enhanced Mobile Broadband

SST = 2 # URLLC, Ultra-Reliable Low-Latency Communication

SST = 3 # MIoT/mMTC, Massive IoT or massive Machine Type Communication

SST = 4 # V2X-related slice type

"Extreme Broadband" is normally aligned with eMBB , because it refers to high data rate, high capacity, and broadband user experience.

Therefore, the SST value for Extreme Broadband is:

1.

NEW QUESTION # 20

The CB009425 feature provides several enhancements to improve the transmission link budget for VoNR, offering a better customer experience. Which statements are correct regarding this feature?

- A. B and C
- B. Configurable uplink minimum TBS is used for VoNR DRBs.
- C. Specific initial BLER targets are used for VoNR DRBs.
- D. Packet Loss Rate, or PLR, for VoNR is minimized, improving voice call quality.
- E. A only
- F. MCS downgrade control is used for VoNR DRBs.
- G. A, B, and C
- H. A, B, C, and D

Answer: F

Explanation:

The correct answer is D.

The feature is focused on improving VoNR link robustness and user experience, especially near the cell edge or in difficult RF conditions. VoNR is sensitive to packet loss, delay, and uplink coverage limitations.

Therefore, link-budget improvement features commonly target BLER behavior, transport block sizing, and MCS robustness.

Statement A is correct because minimizing Packet Loss Rate, or PLR, directly improves VoNR speech quality and reduces mute, clipping, or robotic voice effects.

Statement B is correct because VoNR bearers can use specific initial BLER targets. A more suitable BLER target helps the scheduler choose a more robust MCS for voice traffic.

Statement C is correct because a configurable uplink minimum TBS, or Transport Block Size, helps ensure that small VoNR packets are transmitted efficiently and reliably.

Statement D is correct because MCS downgrade control can improve robustness by selecting a more conservative modulation and coding scheme for VoNR DRBs when radio conditions require it.

Therefore, all listed enhancements are part of the VoNR link-budget improvement concept:

A, B, C, and D.

NEW QUESTION # 21

.....

During your use of our SRAN-Radio-Network-Performance-Optimization learning materials, we also provide you with 24 hours of free online services. Whenever you encounter any SRAN-Radio-Network-Performance-Optimization problems in the learning process, you can email us and we will help you to solve them immediately. And you will find that our service can give you not only the most professional advice on SRAN-Radio-Network-Performance-Optimization Exam Questions, but also the most accurate data on the updates.

SRAN-Radio-Network-Performance-Optimization Valid Exam Pattern: <https://www.lead2passed.com/Nokia/SRAN-Radio-Network-Performance-Optimization-practice-exam-dumps.html>

you can forget the lines anytime making you blank while you are trying to solve your SRAN-Radio-Network-Performance-Optimization exam questions, If you have any opinion about the answers of SRAN-Radio-Network-Performance-Optimization exam, you can also send them to us, Nokia Latest SRAN-Radio-Network-Performance-Optimization Test Practice Get your product after watching the free demo with 100% success guarantee, Nokia Latest SRAN-Radio-Network-Performance-Optimization Test Practice You don't need to download or install any excessive plugins or Software to use the web-based software.

On the other hand, type with tasteful effects can make a publication or web page SRAN-Radio-Network-Performance-Optimization much more inviting. After a hard reset, you should download the most recent driver, reinstall it, and then reconnect the printer prior to adding the printer.

Trustable Latest SRAN-Radio-Network-Performance-Optimization Test Practice by Lead2Passed

you can forget the lines anytime making you blank while you are trying to solve your SRAN-Radio-Network-Performance-Optimization Exam Questions, If you have any opinion about the answers of SRAN-Radio-Network-Performance-Optimization exam, you can also send them to us.

Get your product after watching the free demo with 100% success Test SRAN-Radio-Network-Performance-Optimization Answers guarantee, You don't need to download or install any excessive plugins or Software to use the web-based software.

All three Nokia SRAN-Radio-Network-Performance-Optimization exam dumps formats are ready for download.

- SRAN-Radio-Network-Performance-Optimization Valid Exam Registration □ SRAN-Radio-Network-Performance-Optimization Test Certification Cost □ Reliable SRAN-Radio-Network-Performance-Optimization Exam Tips □ Search for ► SRAN-Radio-Network-Performance-Optimization □ and obtain a free download on [www.pdf.dumps.com] □ Certification SRAN-Radio-Network-Performance-Optimization Questions
- SRAN-Radio-Network-Performance-Optimization Latest Test Preparation □ New SRAN-Radio-Network-Performance-Optimization Real Exam □ New SRAN-Radio-Network-Performance-Optimization Real Exam □ Search on ► www.pdfvce.com ◀ for ► SRAN-Radio-Network-Performance-Optimization □ to obtain exam materials for free download □ SRAN-Radio-Network-Performance-Optimization Test Certification Cost
- Perfect Latest SRAN-Radio-Network-Performance-Optimization Test Practice Provide Prefect Assistance in SRAN-Radio-Network-Performance-Optimization Preparation □ Copy URL ► www.testkingpass.com ◀ open and search for { SRAN-Radio-Network-Performance-Optimization } to download for free □ SRAN-Radio-Network-Performance-Optimization Exam Blueprint
- Free PDF Quiz SRAN-Radio-Network-Performance-Optimization - Valid Latest MN: NCSS NPS - SRAN Radio Network Performance Optimization Certification Exam | GS40-NPS-SRPER-E-S03-2510 Test Practice □ Immediately open □ www.pdfvce.com □ and search for □ SRAN-Radio-Network-Performance-Optimization □ to obtain a free download □ SRAN-Radio-Network-Performance-Optimization Valid Test Test
- Latest SRAN-Radio-Network-Performance-Optimization Exam Pdf □ Prep SRAN-Radio-Network-Performance-Optimization Guide □ SRAN-Radio-Network-Performance-Optimization Actual Dump □ Search for □ SRAN-Radio-Network-Performance-Optimization □ and obtain a free download on □ www.examcollectionpass.com □ Certification SRAN-Radio-Network-Performance-Optimization Test Answers
- Pass Guaranteed 2026 Nokia Efficient SRAN-Radio-Network-Performance-Optimization: Latest MN: NCSS NPS - SRAN Radio Network Performance Optimization Certification Exam | GS40-NPS-SRPER-E-S03-2510 Test Practice □ Copy URL ► www.pdfvce.com □□□ open and search for ► SRAN-Radio-Network-Performance-Optimization □ to download for free □ Dumps SRAN-Radio-Network-Performance-Optimization Vce
- Nokia SRAN-Radio-Network-Performance-Optimization Exam Practice Test Questions Available In Three User-Friendly Formats □ Go to website [www.validtorrent.com] open and search for ► SRAN-Radio-Network-Performance-Optimization □□□ to download for free □ SRAN-Radio-Network-Performance-Optimization Popular Exams
- Quiz 2026 SRAN-Radio-Network-Performance-Optimization: Newest Latest MN: NCSS NPS - SRAN Radio Network Performance Optimization Certification Exam | GS40-NPS-SRPER-E-S03-2510 Test Practice □ Search for ► SRAN-Radio-Network-Performance-Optimization □ and obtain a free download on “ www.pdfvce.com ” □ Latest SRAN-Radio-Network-Performance-Optimization Test Pdf
- Quiz 2026 SRAN-Radio-Network-Performance-Optimization: Newest Latest MN: NCSS NPS - SRAN Radio Network Performance Optimization Certification Exam | GS40-NPS-SRPER-E-S03-2510 Test Practice □ Search on □ www.verifeddumps.com □ for ► SRAN-Radio-Network-Performance-Optimization □ to obtain exam materials for free download □ New SRAN-Radio-Network-Performance-Optimization Real Exam
- Pass Guaranteed 2026 Nokia Efficient SRAN-Radio-Network-Performance-Optimization: Latest MN: NCSS NPS - SRAN Radio Network Performance Optimization Certification Exam | GS40-NPS-SRPER-E-S03-2510 Test Practice □ Search for { SRAN-Radio-Network-Performance-Optimization } and easily obtain a free download on ☀ www.pdfvce.com □☀□ □ Certification SRAN-Radio-Network-Performance-Optimization Test Answers
- SRAN-Radio-Network-Performance-Optimization Latest Test Preparation □ SRAN-Radio-Network-Performance-Optimization Exam Overview □ SRAN-Radio-Network-Performance-Optimization Latest Test Preparation □ Enter ► www.vceengine.com □ and search for ☀ SRAN-Radio-Network-Performance-Optimization □☀□ to download for free □ SRAN-Radio-Network-Performance-Optimization Test Certification Cost
- sparedirectory.com, bookmarkrange.com, barbarazyc565278.wikivia.com, keithfmbe120661.wiki-jp.com, martinajlhu480148.hamachiwiki.com, lanceyxf990519.elbloglibre.com, e-bookmarks.com, deaconqxmu605739.evawiki.com, montyxolv656163.estate-blog.com, sahilyan262138.blogdal.com, Disposable vapes