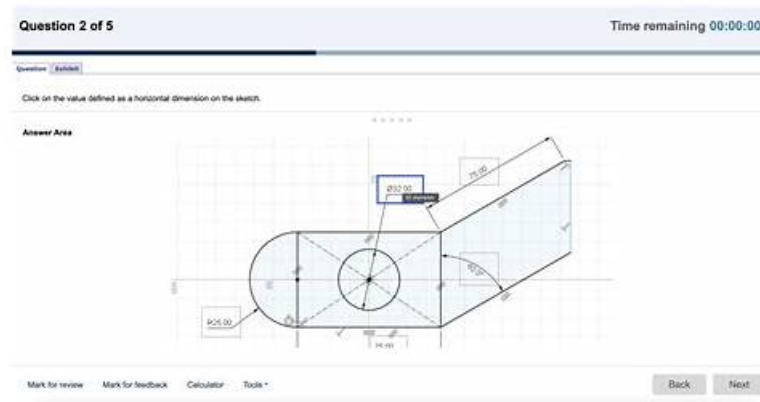


Top CAD Sample Exam | Easy To Study and Pass Exam at first attempt & Latest updated CAD: Certified Application Developer-ServiceNow



BONUS!!! Download part of ValidDumps CAD dumps for free: https://drive.google.com/open?id=1hOg4Wuxz8uKVc16PyH580kbFOL_VKnR

ValidDumps serves as a most important source of IT certification information. You can find learning materials and study guides. If you are interested in our ValidDumps ServiceNow CAD exam dumps, you can depend on our ValidDumps to make a sound choice. ValidDumps ServiceNow CAD test packed so much with the latest information about the certification training. By using our ValidDumps ServiceNow CAD practice test, you have made preparations for the exam.

ServiceNow CAD (Certified Application Developer-ServiceNow) certification exam is designed to test the knowledge and skills of developers who build applications and integrations on the ServiceNow platform. Certified Application Developer-ServiceNow certification is ideal for developers who want to demonstrate their expertise in developing custom applications, implementing workflows, and integrating ServiceNow with other systems. By passing CAD Exam, developers can demonstrate their ability to design, develop, and deploy high-quality applications and integrations on the ServiceNow platform.

>> CAD Sample Exam <<

CAD Pdf Dumps, Advanced CAD Testing Engine

To examine the content quality and format, free CAD brain dumps demo are available on our website to be downloaded. You can compare these top CAD dumps with any of the accessible source with you. To stamp reliability, perfection and the ultimate benefit of our content, we offer you a 100% money back guarantee. Take back your money, if you fail the exam despite using CAD Practice Test.

ServiceNow CAD Certification Exam is designed to test an individual's knowledge and skills in developing applications on the ServiceNow platform. CAD exam covers a range of topics including ServiceNow architecture, scripting, database structures, user interface development, and integrations. To pass the exam, candidates must demonstrate their ability to develop applications using best practices and adhere to ServiceNow's development guidelines.

ServiceNow Certified Application Developer-ServiceNow Sample Questions (Q202-Q207):

NEW QUESTION # 202

Once an application is ready to share, which of the following methods of publishing are supported by ServiceNow? (Choose 3 answers)

- A. Publish to the ServiceNow Store
- B. Publish to an update set
- C. Publish to a spreadsheet
- D. Publish to an application repository

- E. Publish to a local drive
- F. Publish to a local USB device

Answer: A,B,D

Explanation:

ServiceNow provides several methods for developers to publish and share applications once they are ready for distribution. The supported methods include:

* Publish to an application repository: This method allows developers to publish their applications to a centralized repository, enabling easy distribution and installation across multiple ServiceNow instances.

The application repository serves as a hub where applications can be stored and accessed by other instances.

snowunderground.com Publish to an application repository: This method allows developers to publish their applications to a centralized repository, enabling easy distribution and installation across multiple ServiceNow instances.

The application repository serves as a hub where applications can be stored and accessed by other instances.

snowunderground.com

* Publish to the ServiceNow Store: Developers can submit their applications to the ServiceNow Store, a marketplace where applications are reviewed, certified, and made available to all ServiceNow customers. Publishing to the Store involves a certification process to ensure the application meets ServiceNow's standards. support.servicenow.com Publish to the ServiceNow Store:

Developers can submit their applications to the ServiceNow Store, a marketplace where applications are reviewed, certified, and made available to all ServiceNow customers. Publishing to the Store involves a certification process to ensure the application meets ServiceNow's standards. support.servicenow.com

* Publish to an update set: An update set is a container for capturing configuration changes in ServiceNow. Developers can publish applications to an update set, which can then be moved between instances, allowing for the transfer of application configurations and customizations. servicenow.com Publish to an update set: An update set is a container for capturing configuration changes in ServiceNow. Developers can publish applications to an update set, which can then be moved between instances, allowing for the transfer of application configurations and customizations. servicenow.com Options A (Publish to a spreadsheet), D (Publish to a local USB device), and F (Publish to a local drive) are not supported methods for publishing applications in ServiceNow. These options do not align with the platform's mechanisms for application distribution and deployment.

NEW QUESTION # 203

Which of the following methods prints a message on a blue background to the top of the current form by default?

- A. `g_form.addInfoMsg()`
- B. `g_form.showFieldMessage()`
- **C. `g_form.addInfoMessage()`**
- D. `g_form.showFieldMsg()`

Answer: C

Explanation:

From: https://docs.servicenow.com/bundle/paris-application-development/page/script/general-scripting/reference/r_ScriptingAlertInfoAndErrorMsgs.html

`g_form.showFieldMsg("field_name", "Hello World", "error");` Puts "Hello World" in an error message **below the specified field**. `g_form.addInfoMessage()` or `g_form.addErrorMessage()` place a blue box message at the top of the screen. Pg 126 of the CAD handbook

NEW QUESTION # 204

To see what scripts, reports, and other application artifacts will be in a published application:

- A. Open the artifact records individually to verify the value in the Application field
- **B. Open the list of Update Sets for the instance**
- C. Enter the name of the Application in the Global search field
- D. Examine the Application Files Related List in the application to be published

Answer: B

Explanation:

To see what scripts, reports, and other application artifacts will be in a published application, the best option is to examine the Application Files Related List in the application to be published. This will show all the application files that belong to the application, grouped by file type and scope. You can also filter, sort, or search the list to find specific files.

The following options are not the best ways to see what application artifacts will be in a published application:

- * Enter the name of the Application in the Global search field. This will perform a global text search on the instance and return any records that match the application name, which may include irrelevant or incomplete results.
 - * Open the list of Update Sets for the instance. This will show all the update sets that have been created or imported on the instance, but not necessarily the ones that belong to the application to be published.
- Update sets are used to move customizations between instances, not to publish applications to the ServiceNow Store or Share.
- * Open the artifact records individually to verify the value in the Application field. This will require opening each record that may be part of the application and checking the Application field, which is tedious and error-prone. References: Publish an Application, Application Files

NEW QUESTION # 205

In an Email Notification, which one of the following is NOT true for the Weight field?

- A. The Weight value defaults to zero
- B. A Weight value of zero means the Notification is always sent when the Notification's When to send criteria is met
- **C. A Weight value of zero means that no email should be sent**
- D. Only Notifications with the highest weight for the same record and recipients are sent

Answer: C

Explanation:

Explanation/Reference: https://docs.servicenow.com/bundle/orlando-servicenow-platform/page/administer/notification/task/t_CreateANotification.html

NEW QUESTION # 206

Can inherited fields be deleted from a table?

- A. Yes, select the red X in the left-most column in the table definition.
- **B. No, inherited fields cannot be deleted from a child table.**
- C. Yes, but only if they are text fields.
- D. Yes, but only if there has never been any saved field data.

Answer: B

Explanation:

Comprehensive and Detailed Step-by-Step Explanation: Inherited fields in ServiceNow are fields that are part of a parent table and automatically become part of child tables through inheritance. This structure is foundational in the ServiceNow data model, ensuring that child tables maintain a consistent relationship with their parent tables.

Here's why inherited fields cannot be deleted from a child table:

* System Design: ServiceNow employs a table inheritance model where child tables derive fields and properties from parent tables.

Deleting inherited fields from a child table would break the integrity of the data model, as those fields are shared across multiple tables.

* Impact on Functionality: Many inherited fields, such as `sys_created_on` or `sys_updated_by`, are integral to the functionality of the platform. Removing them could disrupt workflows, reporting, and auditing capabilities.

* Alternative Approach: If you want to hide or restrict access to inherited fields in a child table, you can use ACLs (Access Control Lists) to prevent users from viewing or modifying these fields. Another option is to use UI Policies or Client Scripts to control their visibility on forms.

* Developer Note: Attempting to delete inherited fields violates ServiceNow's core principles of maintaining a robust and unified data structure. The platform enforces these rules to ensure consistent behavior across all tables in the hierarchy.

References:

* ServiceNow Developer Documentation on Table Inheritance.

* Best practices outlined on SN Pro Tips regarding scoped application development and table structures.

NEW QUESTION # 207

.....

CAD Pdf Dumps: <https://www.validdumps.top/CAD-exam-torrent.html>

- ServiceNow CAD PDF Questions [2026] - Make Your Aspirations Profitable ☐ Open (www.dumpsmaterials.com) and search for 「 CAD 」 to download exam materials for free ☐ Printable CAD PDF
- CAD Valid Test Syllabus ☐ CAD Related Certifications ☐ CAD Official Cert Guide ☐ Search for ► CAD ◄ and download it for free on ☐ www.pdfvce.com ☐ website ☐ CAD Best Practice
- CAD Best Practice ☐ Valid CAD Test Syllabus ☐ CAD Best Practice ☐ Copy URL ► www.easy4engine.com ◄ open and search for [CAD] to download for free ☐ Valid CAD Test Syllabus
- New CAD Exam Review ☐ CAD Test Simulator Free ☐ CAD Related Certifications ☐ Download ► CAD ☐ for free by simply entering ► www.pdfvce.com ☐ website ☐ CAD Related Certifications
- CAD PDF Questions - Perfect Prospect To Go With CAD Practice Exam ☐ Copy URL ☐ www.pdfdumps.com ☐ open and search for ☼ CAD ☐☼ ☐ to download for free ☐ CAD Best Practice
- New CAD Test Duration ☐ CAD Latest Test Format ☐ CAD Latest Practice Materials ☐ Easily obtain ☐ CAD ☐ for free download through ► www.pdfvce.com ☐ ☐ CAD Latest Exam Online
- CAD Latest Practice Materials ☐ CAD Reliable Test Testking ☐ CAD Best Practice ☐ Easily obtain free download of ☐ CAD ☐ by searching on ► www.prep4away.com ◄ ☐ CAD Latest Test Format
- CAD Latest Exam Online ☐ CAD Reliable Exam Pattern ☐ CAD Test Book ☐ Search for ✓ CAD ☐✓ ☐ and download exam materials for free through ☐ www.pdfvce.com ☐ ☐ CAD Best Practice
- CAD Related Certifications ☐ CAD Reliable Exam Pattern ☐ CAD Test Book ☐ Search on { www.examcollectionpass.com } for { CAD } to obtain exam materials for free download ☐ Printable CAD PDF
- CAD Visual Cert Test ☐ CAD Official Cert Guide ☐ CAD Visual Cert Test ☐ Search for (CAD) and download exam materials for free through ► www.pdfvce.com ☐ ☐ CAD Reliable Test Testking
- CAD PDF Questions - Perfect Prospect To Go With CAD Practice Exam ☐ Search for ☼ CAD ☐☼ ☐ and obtain a free download on 【 www.testkingpass.com 】 ☐ Printable CAD PDF
- www.stes.tyc.edu.tw, 7bookmarks.com, premiumads.co.zw, www.stes.tyc.edu.tw, susanpkt734553.yomoblog.com, myportal.utt.edu.tt, myportal.utt.edu.tt, myportal.utt.edu.tt, myportal.utt.edu.tt, myportal.utt.edu.tt, myportal.utt.edu.tt, myportal.utt.edu.tt, myportal.utt.edu.tt, myportal.utt.edu.tt, www.stes.tyc.edu.tw, robertunsj517646.blog4youth.com, myportal.utt.edu.tt, myportal.utt.edu.tt, myportal.utt.edu.tt, myportal.utt.edu.tt, myportal.utt.edu.tt, myportal.utt.edu.tt, myportal.utt.edu.tt, myportal.utt.edu.tt, myportal.utt.edu.tt, myportal.utt.edu.tt, www.stes.tyc.edu.tw, Disposable vapes

What's more, part of that ValidDumps CAD dumps now are free: https://drive.google.com/open?id=11hOg4Wuxz8uKvc16PyH580kbFOL_VKnR