

Updated HP New HPE7-A03 Exam Name - HPE7-A03 Free Download

Free HP HPE7-A03 Exam Questions By Cook - Page 1

P2P
exams

Free Questions for HPE7-A03

Shared by Cook on 03-03-2025

For More Free Questions and Preparation Resources

[Check the Links on Last Page](#)

P2P
exams

BTW, DOWNLOAD part of ExamcollectionPass HPE7-A03 dumps from Cloud Storage: <https://drive.google.com/open?id=1t6MASMB4KOVDCIV6AiJ2tygEPIE82Ak>

Our company employs the first-rate expert team which is superior to others both at home and abroad. Our experts team includes the experts who develop and research the HPE7-A03 cram materials for many years and enjoy the great fame among the industry, the senior lecturers who boost plenty of experiences in the information about the exam and published authors who have done a deep research of the HPE7-A03 latest exam file and whose articles are highly authorized. They provide strong backing to the compiling of the HPE7-A03 Exam Questions and reliable exam materials resources. They compile each answer and question carefully. Each question presents the key information to the learners and each answer provides the detailed explanation and verification by the senior experts. The success of our HPE7-A03 latest exam file cannot be separated from their painstaking efforts.

The Aruba Certified Campus Access Architect Exam (HPE7-A03) practice test software also shows changes and improvements done by the candidates on every step during the HPE7-A03 exam. So this reduces your chance of failure in the actual HPE7-A03 Exam. It requires no special plugins to function properly. So just start your journey with ExamcollectionPass and prepare for the HPE7-A03 exam instantly.

>> **New HPE7-A03 Exam Name** <<

**2026 New HPE7-A03 Exam Name 100% Pass | Latest Latest HPE7-A03 Test
Vce: Aruba Certified Campus Access Architect Exam**

Our HPE7-A03 study materials include 3 versions and they are the PDF version, PC version, APP online version. You can understand each version's merits and using method in detail before you decide to buy our HPE7-A03 study materials. For instance, PC version of our HPE7-A03 training quiz is suitable for the computers with the Windows system and supports the MS Operation System. It is a software application which can be installed and it stimulates the real exam's environment and atmosphere. It builds the users' confidence and the users can practice and learn our HPE7-A03 learning guide at any time.

HP HPE7-A03 Exam Syllabus Topics:

Topic	Details
Topic 1	<ul style="list-style-type: none"> Discover Requirements: This topic defines the goals and identifies the current environment and the objectives. Lastly, it also focuses on collecting information.
Topic 2	<ul style="list-style-type: none"> Architect the Solution: It measures your knowledge about identifying the solution options, designing high-level topologies, selecting the correct products, and determining the suitable overlay and underlay design. Additionally, the topic discusses how to verify that the design meets the original requirements.
Topic 3	<ul style="list-style-type: none"> Propose the Solution: The focal point of this topic is creating the design documentation and the final design. Moreover, the topic also focuses on presenting the solution.
Topic 4	<ul style="list-style-type: none"> Analyze Requirements: It focuses on determining possible high-level solutions. The topic also discusses mapping the needs into technical solutions and evaluating the proposed solution against project objectives and dependencies. Moreover, it also focuses on documenting assumptions.

HP Aruba Certified Campus Access Architect Exam Sample Questions (Q90-Q95):

NEW QUESTION # 90

Which is true when it comes to Aruba Central licensing for gateways? (Select two.)

- A. Aruba WLAN Gateway licenses allow normal SD-Branch features within a campus.
- B. SD-WAN Gateway functionality requires security licensing.
- C. Aruba Gateway normal licensing is subdivided into three categories: Foundation, Advanced, and Foundation Base.
- D. Aruba SD-Branch Gateway licenses allow normal WLAN Gateway features within a campus.

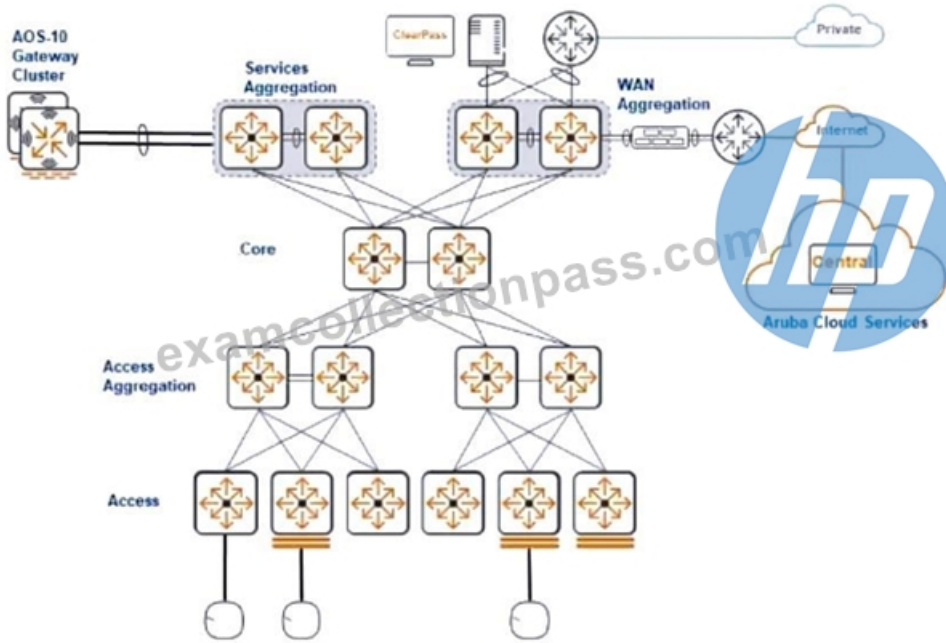
Answer: A,C

NEW QUESTION # 91

Hotspot Question

Based on this campus design, click on the layer that is the most appropriate to be designed as a Stub Persona, considering an EVPN VXLAN Fabric?

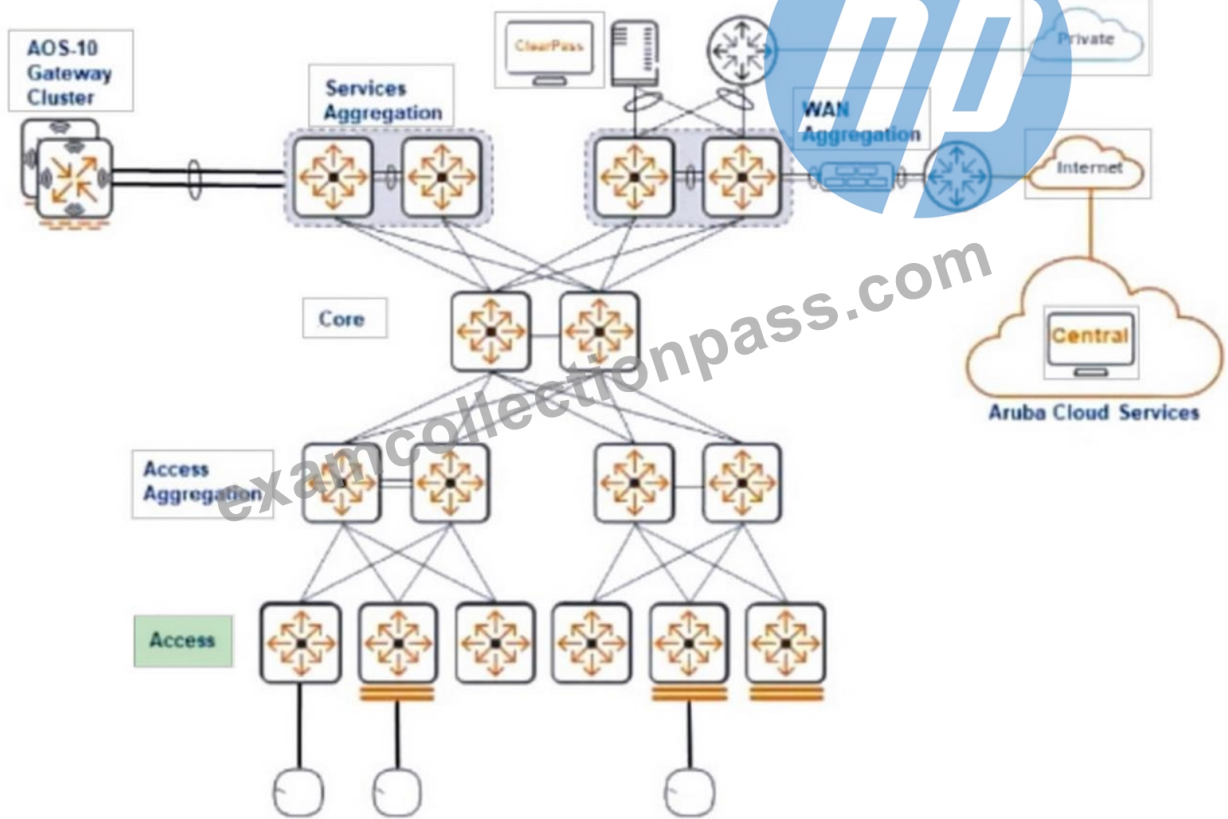
Answer Area



Answer:

Explanation:

Answer Area



NEW QUESTION # 92

You are responding to the customer's RFP and are at the point of documenting design decisions that were not specified in the RFP

or the RFP questions. What are valid examples of assumptions made that should be presented to the customer during the response? (Select three >

- A. Adequate virtual machine resources exist to successfully install required or optional management systems.
- B. Vendor equipment availability will meet customer project timelines.
- C. Sufficient space and power exist to rack and turn up the proposed equipment.
- D. The customer budget is sufficient to afford the proposed solution.
- E. Optional monitoring systems (syslog, How collectors) exist.
- F. The customer has technical staff that is capable of implementing the proposed equipment.

Answer: A,C,D

NEW QUESTION # 93

Drag and Drop Question

Match the deployment type with the usage scenario.

Answer:

Explanation:

NEW QUESTION # 94

XYZ Regional Hospital is an integrated healthcare system of hospitals, neighborhood health centers, and small doctor offices. XYZ Regional Hospital has recently merged with 4x neighborhood health centers and 125 doctor branch offices. The wireless, wired access, and AAA solutions are outdated and need to be replaced

XYZ Regional Hospital is looking to future-proof and improve efficiency across all sites by enhancing wired and wireless access and migrating to a centralized and unified wired/wireless and policy management that can provide uninterrupted availability of all systems.

Locations:

- XYZ Regional Hospital is located in New York City
- Dila Health Center is located in City A
- Mount Health Center is located in City B
- Rock Health Center is located in City C
- Branch clinics are located at different locations across the United States Requirements:
- Provide, via management software, one single pane of glass to manage wired and wireless IANs. and VPNs across campus, branch, and remote via web/cloud architecture providing near real-time Insight. troubleshooting tools, and Service Level performance reporting
- Seamless integration across wired, wireless. WAN. SD-Branch. IoT
- Provide secure wireless access to all the employees of the Regional Hospital and partners, as well as provide wireless Internet access to medical citizens when they visit our facilities.
- All-access points must support the following features and specifications: 802.11ax (Wi-Fi 6E Certified)
- Security options including WPA3. 802.1X with Radius secure authentication
- Identify and authenticate every wireless and wired device
- End-to-end role-based security
- Seamless mobility across the hospital for medical learns, patients, and visitors

myportal.utt.edu.tt, myportal.utt.edu.tt, zubairacfl413748.blogdeazar.com, ronaldokux767197.angelinsblog.com, Disposable vapes

P.S. Free & New HPE7-A03 dumps are available on Google Drive shared by ExamcollectionPass: <https://drive.google.com/open?id=1t6MASMB4KOVDCIV6AiJ2ytygEPIE82Ak>