

Sample JN0-650 Questions Answers | JN0-650 Test King



DOWNLOAD the newest Dumpcollection JN0-650 PDF dumps from Cloud Storage for free: <https://drive.google.com/open?id=1aQLX325-DnSpSW8ITqYHHoWLDxM4hyQa>

Do you want to pass JN0-650 certification exam easily? Then it is necessary to have Dumpcollection JN0-650 exam certification training materials. Dumpcollection JN0-650 test training materials are summarized by IT experts with constant practice, which is the combination of JN0-650 Exam Dumps and answers, and can't be matched by any JN0-650 test training materials from others. Dumpcollection will take you to a more beautiful future.

Juniper JN0-650 Exam Syllabus Topics:

| Topic | Details |
|---------|--|
| Topic 1 | <ul style="list-style-type: none">• EVPN: This section addresses Ethernet VPN technology for Layer 2 over Layer 3 connectivity, covering EVPN route types, VXLAN encapsulation, and multi-homing configurations. |
| Topic 2 | <ul style="list-style-type: none">• Interior Gateway Protocols (IGPs): This domain covers internal routing protocols operating within a single autonomous system, including OSPFv2, OSPFv3, and routing policy implementation, along with configuration, troubleshooting, and monitoring skills. |
| Topic 3 | <ul style="list-style-type: none">• BGP: This section focuses on Border Gateway Protocol operations including route selection, next hop resolution, BGP attributes, communities, load balancing, IPv4• IPv6 address families, advanced options, and routing policy implementation. |
| Topic 4 | <ul style="list-style-type: none">• Layer 2 Authentication and Access Control: This domain examines network access control mechanisms including 802.1x, MAC RADIUS, captive portal, server fail fallback, guest VLANs, and multi-method authentication considerations. |

>> Sample JN0-650 Questions Answers <<

Latest updated Juniper Sample JN0-650 Questions Answers With Interarctive Test Engine & Valid JN0-650 Test King

In order to help all people to pass the JN0-650 exam and get the related certification in a short time, we designed the three different versions of the JN0-650 study materials. We can promise that the products can try to simulate the real examination for all people to learn and test at same time and it provide a good environment for learn shortcoming in study course. If you buy and use the JN0-650 Study Materials from our company, you can practice JN0-650 learning tests as in the real exam and pass the JN0-650 exam easily.

Juniper Enterprise Routing and Switching, Professional (JNCIP-ENT) Sample Questions (Q22-Q27):

NEW QUESTION # 22

You are deploying IP phones in your enterprise networks. When plugged in, the IP phones must automatically be provided with their geographic location details by the EX Series switches.

In this scenario, which protocol should be used to enable this behavior?

- A. CDP
- B. LLDP
- C. LLDP-MED
- D. MP-BGP

Answer: C

Explanation:

To provide IP phones with geographic location details (such as civic addresses or coordinates) automatically, Juniper EX Series switches utilize the LLDP-MED (Link Layer Discovery Protocol - Media Endpoint Discovery) protocol.

* VoIP Specifics: While standard LLDP (C) is for general device discovery, LLDP-MED is an enhancement specifically designed for network-to-endpoint communication for VoIP devices.

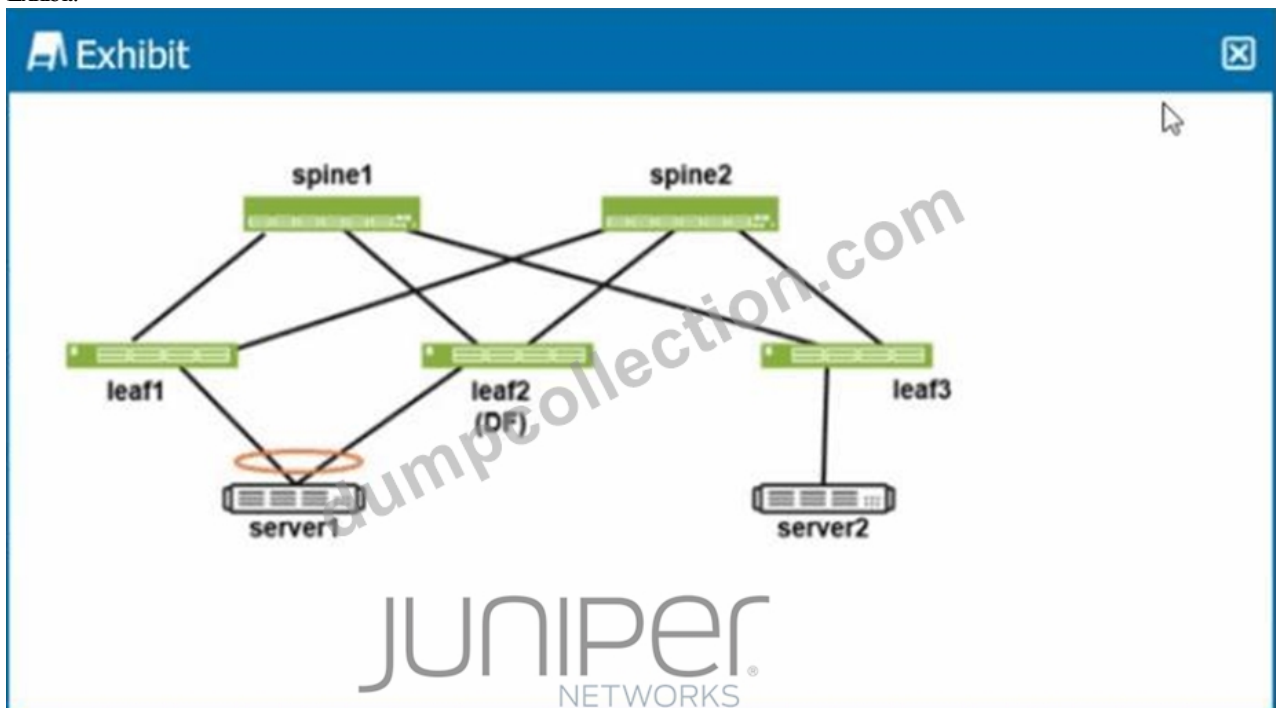
* Location Identification: LLDP-MED supports Location Identification TLVs (Type-Length-Values).

These allow a switch to push geographic or civic location data to an IP phone, which is critical for E911 services and asset tracking.

* Junos Implementation: On EX Series switches, this is typically configured under protocols lldp-med to ensure the switch advertises the necessary location information to connected endpoints.

NEW QUESTION # 23

Exhibit.



Referring to the exhibit, leaf2 is elected the designated forwarder

Which two statements are correct if server2 generates a broadcast frame*? (Choose two.)

- A. Only leaf1 will forward the broadcast frame to server1.
- B. The broadcast frame will not be forwarded to leaf1.
- C. The broadcast frame will be forwarded to leaf1 and leaf2.
- D. Only leaf2 will forward the broadcast frame to server1

Answer: C,D

Explanation:

The exhibit illustrates an EVPN-VXLAN fabric using multi-homing. Server1 is dual-homed to Leaf1 and Leaf2 using an Ethernet Segment Identifier (ESI) in an active-active or active-standby configuration. Server2 is single-homed to Leaf3.

In EVPN environments, specific mechanisms are used to prevent loops and duplicate traffic when dealing with Broadcast, Unknown

Unicast, and Multicast (BUM) traffic:

- * Broadcast Propagation (Option A): When Server2 (connected to Leaf3) generates a broadcast frame, Leaf3 encapsulates this traffic into a VXLAN tunnel and forwards it to all other VTEPs (Virtual Tunnel End Points) that participate in that specific Virtual Network Instance (VNI). Therefore, both Leaf1 and Leaf2 will receive the broadcast frame from the core fabric.
- * Designated Forwarder (DF) Election (Option C): To prevent a multi-homed device (like Server1) from receiving duplicate copies of the same broadcast frame from multiple leaf switches, EVPN utilizes a Designated Forwarder (DF). For a given ESI, only one leaf switch is elected as the DF.
- * The exhibit explicitly states that Leaf2 is the Designated Forwarder.
- * According to the Junos EVPN implementation, only the DF is responsible for decapsulating BUM traffic received from the core and forwarding it to the local access segment.
- * While Leaf1 receives the frame (Option A), it will see that it is not the DF for that segment and will drop the frame rather than forwarding it to Server1. This ensures Server1 receives exactly one copy of the broadcast, delivered by Leaf2.
- * Option B is incorrect because in a standard ingress replication or multicast-based underlay, all VTEPs in the VNI receive the broadcast.
- * Option D is incorrect because Leaf1 is the non-designated forwarder (non-DF) for this segment and is prohibited from forwarding BUM traffic to the ESI.

NEW QUESTION # 24

Which two BGP communities are pre-defined well-known communities? (Choose two.)

- A. no-export
- B. no-advertise
- C. public
- D. private

Answer: A,B

NEW QUESTION # 25

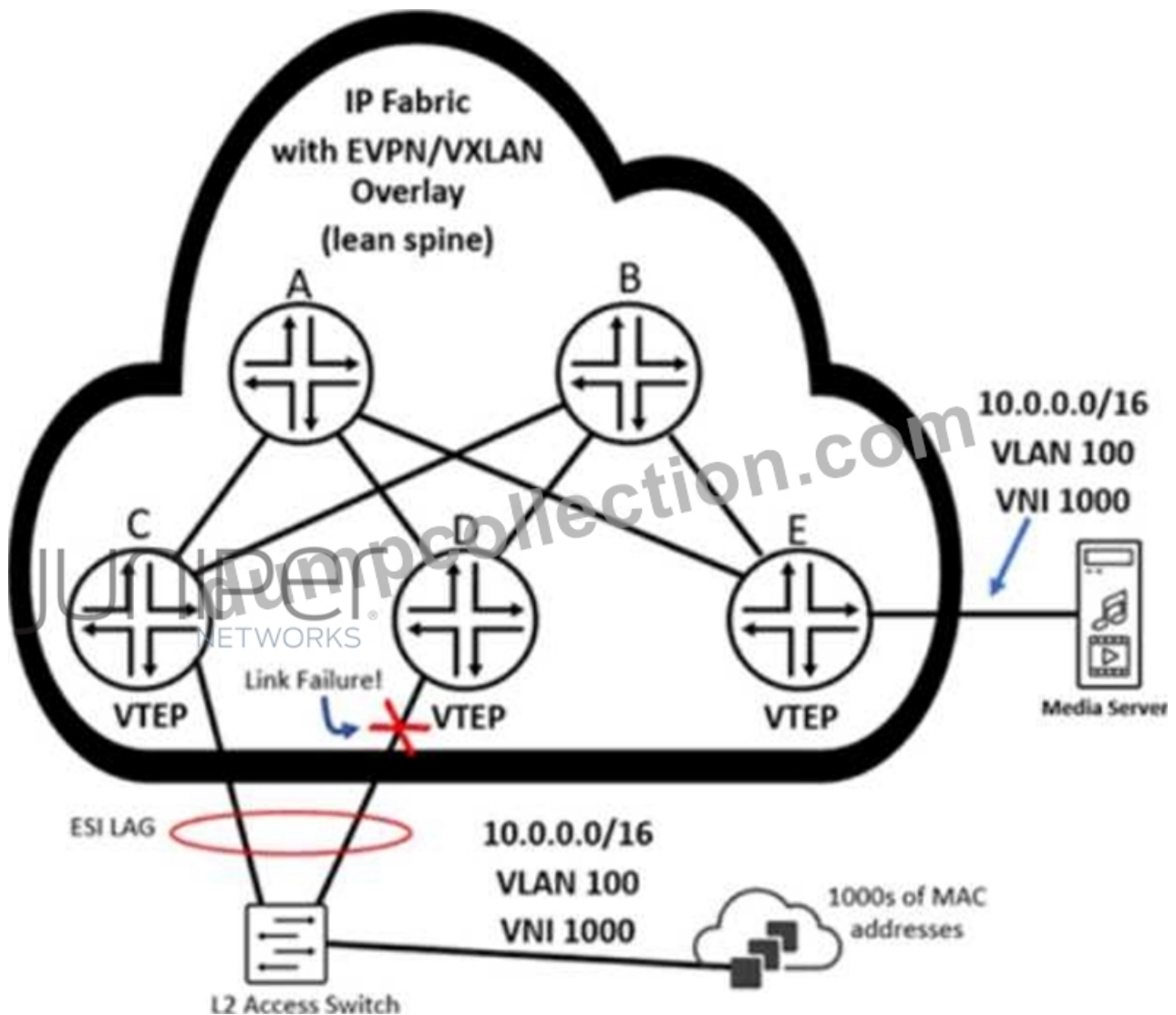
When using wide metrics, which two statements about route advertisement between IS-IS levels are correct? (Choose two.)

- A. Level 1 routes advertised as external routes into Level 1 are not advertised to any Level 2 routers by default.
- B. Level 1 and Level 2 routers do not advertise Level 2 routes into the Level 1 area by default.
- C. Level 1 routes are advertised to Level 2 routers by default.
- D. If wide-metrics-only is configured, Level 1 routes are not advertised to Level 2 routers by default.

Answer: B,D

NEW QUESTION # 26

Referring to the exhibit



How will router E quickly learn that the remote MAC addresses are no longer reachable through the router attached to the failed link?

- A. Router E receives Type 2 withdrawal messages from router C.
- **B. Router E receives Type 1 withdrawal messages from router D.**
- C. Router E receives Type 1 withdrawal messages from router
- D. Router E receives Type 2 withdrawal messages from router D.

Answer: B

NEW QUESTION # 27

.....

Our JN0-650 exam simulation is a great tool to improve our competitiveness. After we use our study materials, we can get the Juniper certification faster. This certification gives us more opportunities. Compared with your colleagues around you, with the help of our JN0-650 preparation questions, you will also be able to have more efficient work performance. Our JN0-650 Study Materials can bring you so many benefits because they have the following features. I hope you can use a cup of coffee to learn about our JN0-650 training engine. Perhaps this is the beginning of your change.

JN0-650 Test King: https://www.dumpcollection.com/JN0-650_braindumps.html

- Juniper JN0-650 Exam Dumps - A Surefire Way To Achieve Success Search for 《 JN0-650 》 and obtain a free download on www.prepawaypdf.com JN0-650 Reliable Study Questions
- Juniper JN0-650 Exam Dumps - A Surefire Way To Achieve Success www.pdfvce.com is best website to obtain ▶ JN0-650 ◀ for free download JN0-650 100% Exam Coverage
- JN0-650 Study Materials Review Valid JN0-650 Mock Exam Valid JN0-650 Exam Tips Easily obtain 《

- JN0-650 » for free download through [www.dumpsmaterials.com] □ Online JN0-650 Training Materials
- Download Enterprise Routing and Switching, Professional (JNCIP-ENT) actual test dumps, and start your JN0-650 exam preparation □ Search for □ JN0-650 □ and download it for free on (www.pdfvce.com) website ✓ Valid JN0-650 Mock Exam
 - JN0-650 Latest Demo □ Online JN0-650 Training Materials □ Test JN0-650 Questions □ Search for { JN0-650 } on ⇒ www.examdiscuss.com ⇐ immediately to obtain a free download □ Reliable JN0-650 Exam Online
 - JN0-650 100% Exam Coverage □ JN0-650 Latest Study Materials □ JN0-650 Valid Test Pattern □ Download ⇒ JN0-650 □ for free by simply searching on ⇒ www.pdfvce.com ⇐ □ Valid JN0-650 Mock Exam
 - JN0-650 Study Materials Review □ JN0-650 Exam Braindumps □ JN0-650 Test Question □ Search for [JN0-650] and download exam materials for free through 【 www.prepawaypdf.com 】 □ JN0-650 Test Question
 - Online JN0-650 Training Materials □ JN0-650 Authorized Test Dumps □ Exam JN0-650 Dump □ Download (JN0-650) for free by simply entering □ www.pdfvce.com □ website □ JN0-650 100% Exam Coverage
 - Online JN0-650 Training Materials □ Valid Braindumps JN0-650 Pdf □ Online JN0-650 Training Materials □ Easily obtain 【 JN0-650 】 for free download through ⇒ www.troytecdumps.com ⇐ □ JN0-650 Latest Demo
 - Reliable JN0-650 Exam Online □ JN0-650 Reliable Exam Online □ Review JN0-650 Guide □ Enter “ www.pdfvce.com ” and search for ⇒ JN0-650 □□□ to download for free □ JN0-650 Exam Braindumps
 - JN0-650 - Useful Sample Enterprise Routing and Switching, Professional (JNCIP-ENT) Questions Answers ♣ Easily obtain ▶ JN0-650 ◀ for free download through ▶ www.examcollectionpass.com ◀ □ Test JN0-650 Questions
 - prestonhbod003267.wikimeglio.com, macieicxw064638.blogdemls.com, elodieuabh864003.myparisblog.com, bookmarklogin.com, franceseoow753358.bcbloggers.com, health-lists.com, nicolexmws519239.blogthisbiz.com, artybookmarks.com, nettieipfw245103.dailyblogzz.com, tayaacademy.org, Disposable vapes

2026 Latest Dumpcollection JN0-650 PDF Dumps and JN0-650 Exam Engine Free Share: <https://drive.google.com/open?id=1aQLX325-DnSpSW8ITqYHHoWLDxM4hyQa>