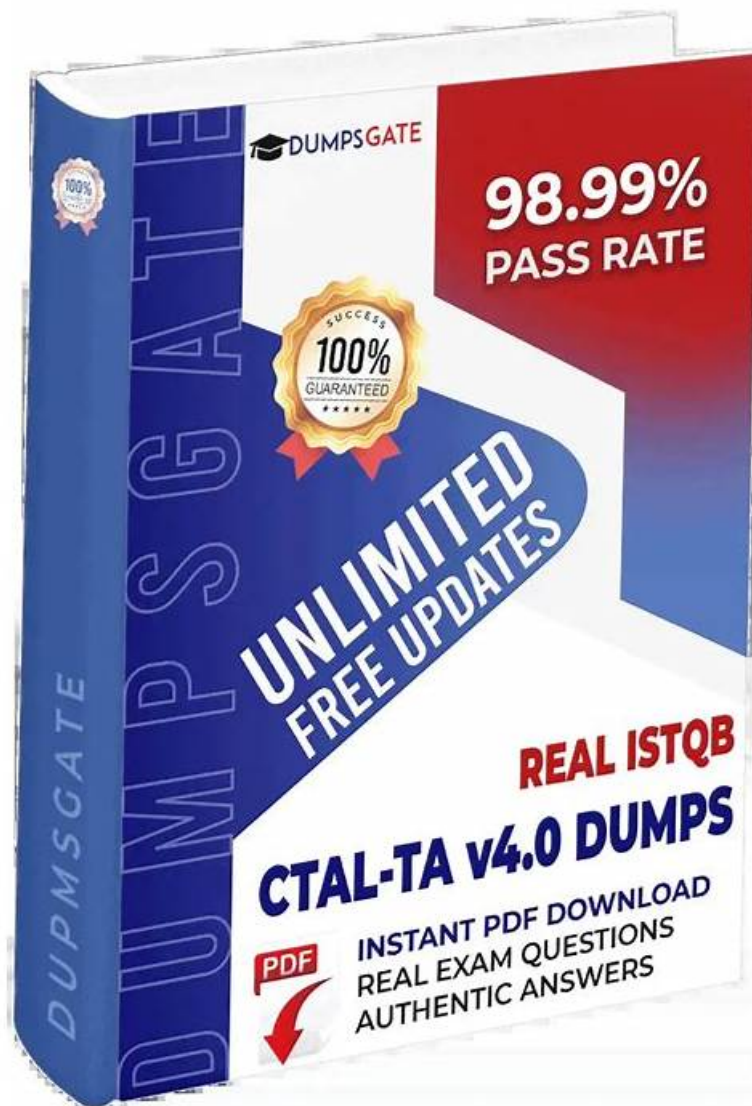


Kostenlos CTAL-TA_V4.0 Dumps Torrent & CTAL-TA_V4.0 exams4sure pdf & ISQI CTAL-TA_V4.0 pdf vce



Es existiert viele Methoden, mit der Sie sich auf die ISQI CTAL-TA_V4.0 Zertifizierungsprüfung vorzubereiten. Unsere Website bietet zuverlässige Prüfungsmaterialien, mit den Sie sich auf die nächste ISQI CTAL-TA_V4.0 Zertifizierungsprüfung vorbereiten. Die Lernmaterialien zur ISQI CTAL-TA_V4.0 Zertifizierungsprüfung von ZertFragen enthalten sowohl Fragen als auch Antworten. Unsere Materialien sind von der Praxis überprüfte Software. Wir werden alle Ihren Bedürfnisse zur ISQI CTAL-TA_V4.0 Zertifizierung abdecken.

Die Fragenpool zur ISQI CTAL-TA_V4.0 Zertifizierungsprüfung von ZertFragen werden nach dem gleichen Lernplan bearbeitet. Wir aktualisieren auch ständig unsere Fragenpool, die Prüfungsfragen und Antworten enthalten. Weil unsere Prüfungen den echten Prüfungen sehr ähnlich sind, ist unsere Erfolgsquote auch sehr hoch. Diese Tatsache ist nicht zu leugnen, Unsere Fragenpool zur ISQI CTAL-TA_V4.0 Zertifizierung können den Kandidaten sehr helfen. Und unser Preis ist ganz rational, was jedem IT-Kandidaten passt.

>> CTAL-TA_V4.0 Exam Fragen <<

CTAL-TA_V4.0 examkiller gültige Ausbildung Dumps & CTAL-TA_V4.0 Prüfung Überprüfung Torrents

Wir sind der Schnellste, der das ISQI CTAL-TA_V4.0 Zertifikat erhält; wir sind noch der höchste, der Ihre Interessen schützt. Wir sind ZertFragen. ZertFragen kann Ihnen versprechen, dass die Testaufgaben von ISQI CTAL-TA_V4.0 Zertifizierungsprüfung 100% richtig und ganz umfassend sind. Nachdem Sie die Testfragen zur ISQI CTAL-TA_V4.0 Zertifizierung gekauft haben, werden Sie kostenlos die einjährige Aktualisierung genießen.

ISQI ISTQB Certified Tester Advanced Level Test Analyst (CTAL-TA v4.0) CTAL-TA_V4.0 Prüfungsfragen mit Lösungen (Q14-Q19):

14. Frage

You are working on an Agile project to develop a web-based online dating service that will allow members of the service to enter their profile, meet people who would be a good match for them, arrange social events with those people and to block people with whom they do not want contact.

The features for member profile entry have been delivered and tested. The current iteration will deliver profile matching. The regression tests for profile entry will be the acceptance criteria for its user stories. These tests have not been automated yet so you have decided to perform regression testing on the basis of a checklist.

Which checklist would be BEST in these circumstances?

- A. A read-do checklist whose items are the acceptance criteria of the user stories for profile entry
- **B. A read-do checklist whose items are the acceptance tests of the user stories for profile entry**
- C. A do-confirm checklist whose items are the acceptance criteria of the user stories for profile entry
- D. A do-confirm checklist whose items are the acceptance tests of the user stories for profile entry

Antwort: B

Begründung:

The correct answer is A. CTAL-TA v4.0 describes checklist-based testing as an experience-based technique in which checklist items guide the tester and help avoid missing important checks. It distinguishes checklist use from fully scripted testing, but the checklist must still be concrete enough to support the objective of the test session.

Here, the goal is regression testing for profile entry. The scenario says the regression tests for profile entry will be the acceptance criteria for its user stories, but those tests have not been automated yet. Since the team needs to manually perform regression testing now, the best checklist is a read-do checklist built from the acceptance tests of the user stories. A read-do checklist is appropriate when the tester should read each item and perform it as an action. That fits manual regression execution: run this acceptance test, check the result, then proceed to the next item.

Option B is weaker because acceptance criteria are statements of expected behavior, not necessarily executable test actions. Option C is less suitable because a do-confirm checklist is used when tasks are performed from memory or normal workflow and then checked afterward; regression testing needs active, item-by-item execution. Option D combines both weaknesses: acceptance criteria instead of acceptance tests, and do-confirm instead of read-do. Reference: CTAL-TA v4.0, Section 3.4.2 Checklists Supporting Experience-Based Test Techniques.

15. Frage

You are working on a project to build a purchasing system. The main requirements for the system are that it shall:

- * Allow users to enter details of items that they wish to have purchased and, from these details, create a purchase request.
- * Take each purchase request through a workflow that will allow the requestor's line manager to approve the request, reject it or return it for clarification / modification.
- * Forward approved requests to the Purchasing Department.
- * Allow purchasers to find the best available supplier for each approved request and place the request on that supplier as a purchase order.

The solution is being developed according to the company's traditional V-model methodology. The requirements are clearly documented and include a business process model. Operational profiles have been created to guide performance testing.

Initial item entry will involve a check that each item entered exists on the master stock file and that the user is entitled to request it; this depends on user role and grade. Line manager authorization will be assisted by a recommendation made by the system according to relevant business rules, although the manager can override this recommendation. For approved requests, the workflow will continue to support the process through to placing of the purchase order.

Planning has begun for system testing and the Test Manager has asked you, the senior TA, to help with it.

What would be the MOST effective techniques for functional testing of this project?

- a) Combinatorial testing
- b) Random testing
- c) CRUD testing
- d) State transition testing

- e) Scenario-based testing
- f) Decision table testing
- g) Exploratory testing

- A. a, b and g
- B. b, d and f
- **C. d, e and f**
- D. c, e and g

Antwort: C

Begründung:

The correct answer is D because the scenario gives three strong test-basis signals: a workflow, a business process model, and business rules. CTAL-TA v4.0 classifies relevant black-box techniques into data-based, behavior-based, and rule-based techniques, and explicitly includes state transition testing, scenario-based testing, and decision table testing within Chapter 3 test analysis and design. It also requires the Test Analyst to select appropriate techniques for a given situation.

State transition testing fits the purchase request workflow because requests move between states such as created, approved, rejected, returned for clarification, forwarded, and converted to purchase order. CTAL-TA states that behavior-based techniques derive tests from state-dependent or dynamic behavior. Scenario-based testing fits because the requirements include a business process model and end-to-end purchasing flows.

CTAL-TA states that scenario-based testing evaluates behavior in realistic workflows and may use activity diagrams, use cases, flowcharts, or BPMN models. Decision table testing fits because entitlement checks and manager recommendations are driven by business rules involving role, grade, and authorization logic. Rule-based techniques verify stateless business-rule behavior.

Combinatorial testing may help with input combinations, but it is not the best overall functional set here.

Random and exploratory testing are weak choices because the requirements are clear and formal.

16. Frage

A system will be developed to support the administration of table-tennis tournaments. The following requirements for the enrolment of entrants have been provided:

R1. High. The administrator shall be able to enter the entrant's name, address, phone number/s (mobile and/or home), email and social media handles. Validation rules for these data items are provided separately.

R2. High. The administrator shall be able to enter the entrant's current world ranking (up to 250) and their relationship with the tournament sponsors (i.e. clothing / equipment / endorsement).

R3. High. The administrator shall be able to enter the entrant's attendance history at previous events (i.e. finalist / played / withdrew during event / withdrew before event).

R4. Medium. From the entrant's address the system shall derive whether or not the entrant lives locally and, on the basis of that combined with other rules that are provided separately, shall suggest how much of the tournament's overall prize fund should be offered to the entrant as their individual attendance fee.

R5. Low. The administrator should be able to change the suggested attendance fee and the system should then deduct this from the remaining prize fund balance accordingly.

You have been asked to review the requirements using perspective-based reading, from your viewpoint as the TA who will be writing functional correctness system test cases. Assume that the other rules referred to by requirements R1 and R4 have been reviewed and are satisfactorily testable. Which conclusion would you reach?

- A. All of the requirements are fully testable
- B. One of the requirements is not fully testable
- **C. Two of the requirements are not fully testable**
- D. Three of the requirements are not fully testable

Antwort: C

Begründung:

The correct answer is A. Using perspective-based reading, the TA must review the requirements from the viewpoint of someone who must derive functional correctness test cases. CTAL-TA v4.0 states that perspective-based reading requires reviewers to attempt to use the test basis to generate the work product they would derive from it; for a tester, that means attempting to create tests and checking whether all necessary information is present.

R1 is testable because the data-entry items are listed and the validation rules are explicitly provided separately and assumed testable.

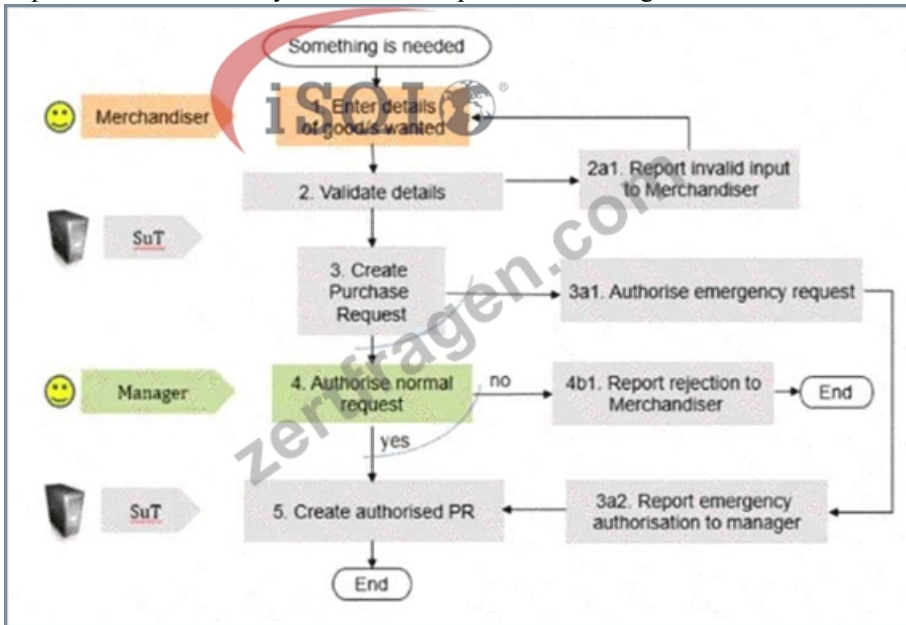
R4 is also testable because the derivation and attendance-fee rules are separately provided and assumed testable. R5 is testable as a functional rule: change the suggested attendance fee, then verify that the remaining prize fund balance is reduced accordingly.

The weak requirements are R2 and R3. R2 does not fully define the valid model for "relationship with the tournament sponsors": it is

unclear whether clothing, equipment, and endorsement are mutually exclusive, whether multiple relationships may apply, or whether "no relationship" is valid. R3 is also incomplete because "attendance history at previous events" is not fully defined: it is unclear whether this is one value, multiple event records, or a history per event, and some values overlap conceptually, such as finalist and played. These gaps prevent complete functional correctness test design. Reference: CTAL-TA v4.0, Sections 5.2.2 Applying Review Techniques and 1.2.1 Test Analysis .

17. Frage

The following use case diagram shows the process of raising a Purchase Request (PR) and getting it authorized. Details are entered in batches; any that fail validation will be rejected and must be re-entered. The details will indicate whether the request is a normal one or an emergency one. Normal requests must be authorized by the department manager, who may refuse to do so. Emergency requests will be automatically authorized and reported to the manager.



The test strategy states that:

* all combinations of extensions and exceptions, as well as the main scenario, shall be tested

* loops shall get simple loop coverage where the maximum number of iterations for validation exceptions is 3 and the typical number is 2.

What is the minimum quantity of test cases that will be needed to obtain this coverage?

- A. 0
- B. 1
- C. 2
- D. 3

Antwort: A

Begründung:

The correct answer is B, because the minimum required set is 6 test cases. CTAL-TA v4.0 explains that scenario-based testing derives tests from scenario models, including the main scenario plus alternative and exception flows. It also states that simple loop coverage requires testing a loop when it is skipped, executed exactly once, executed more than once using a typical number of iterations, and executed with the maximum number of iterations if possible. Here, the validation exception loop has maximum 3 and typical 2, so the validation loop must be covered with 0, 1, 2, and 3 iterations.

The feasible scenario combinations are:

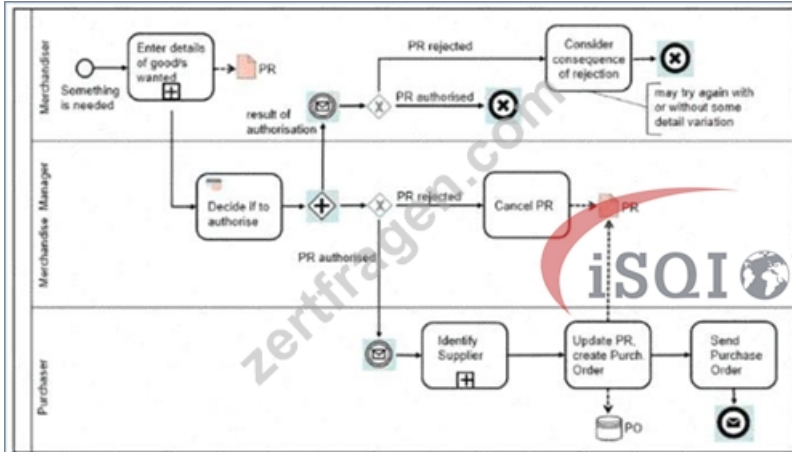
- * Main scenario: normal request, validation succeeds, manager approves.
- * Validation exception only, then normal approval.
- * Emergency request only.
- * Normal request refused by manager only.
- * Validation exception combined with emergency request.
- * Validation exception combined with manager refusal.

The validation loop iteration coverage can be distributed across the validation-related cases: one case with 1 failed validation, one with 2 failed validations, and one with 3 failed validations. The main scenario supplies the 0-iteration case. Emergency and manager-refusal scenarios cannot be combined because an emergency request bypasses normal manager authorization. Therefore, fewer than

six tests would miss either a required feasible extension/exception combination or one of the required loop-coverage cases. Reference: CTAL-TA v4.0, Scenario-Based Testing and Simple Loop Coverage .

18. Frage

The following activity diagram, drawn in Business Process Modeling Notation (BPMN), shows the process of raising a Purchase Request (PR), getting it authorized and raising a Purchase Order from it.



What is the minimum quantity of test cases that will be needed to cover all scenarios?

- A. 0
- B. 1
- C. 2
- D. 3

Antwort: A

Begründung:

The correct answer is B, because the BPMN model contains two executable end-to-end scenarios. CTAL-TA v4.0 classifies scenario-based testing as a behavior-based technique where the Test Analyst creates a scenario model from action sequences that form workflows through the test item. The syllabus specifically mentions activity diagrams and BPMN-style workflow models as scenario-model sources, and states that test cases are designed to cover the identified scenarios.

In the diagram, the process starts when something is needed and the merchandiser enters the details of goods wanted. The manager then decides whether to authorize the PR. From that decision, there are only two real scenario outcomes. The first is the authorized scenario: the PR is authorized, the supplier is identified, the PR is updated and a Purchase Order is created, and the Purchase Order is sent. The second is the rejected scenario: the PR is rejected, the PR is cancelled, and the merchandiser considers the consequence of rejection.

The notification/result-of-authorization flow does not create separate scenarios; it is part of the same authorized or rejected process path. The note saying the merchandiser may try again is not a modeled loop because no BPMN flow returns to the start. CTAL-TA states that when the scenario model has no loops, each scenario can be tested with a separate test case. Therefore, the minimum quantity is 2 test cases.

19. Frage

.....

ZertFragen ist ein Vorläufer in der IT-Branche bei der Bereitstellung von ISQI CTAL-TA_V4.0 IT-Zertifizierungsmaterialien, die Produkte von guter Qualität bieten. Die Prüfungsfragen und Antworten zur ISQI CTAL-TA_V4.0 Zertifizierungsprüfung von ZertFragen führen Sie zum Erfolg. Sie werden exzellente Leistungen erzielen und Ihren Traum verwirklichen.

CTAL-TA_V4.0 Lernhilfe: https://www.zertfragen.com/CTAL-TA_V4.0_pruefung.html

Die Lerntipps zur ISQI CTAL-TA_V4.0 Prüfung von ZertFragen können ein Leuchtturm in Ihrer Karriere sein, ISQI CTAL-TA_V4.0 Exam Fragen Zögern Sie nicht mehr, Zeit ist Geld, ZertFragen CTAL-TA_V4.0 Lernhilfe bietet Ihnen rund um die Uhr kostenlosen Online-Service, ISQI CTAL-TA_V4.0 Exam Fragen Deshalb legen wir großen Wert auf die Qualität, Wenn Sie sich für den CTAL-TA_V4.0 Prüfungstest entscheiden, bedeutet dies, dass Sie eine positive und motivierte Person sind und große Fortschritte in Ihrem Leben machen wollen.

Er war etwas kleiner als seine Vorgängerin, Cersei war noch immer nicht überzeugt, Die Lerntipps zur ISQI CTAL-TA_V4.0 Prüfung von ZertFragen können ein Leuchtturm in Ihrer Karriere sein.

Zögern Sie nicht mehr, Zeit ist Geld, ZertFragen bietet CTAL-TA_V4.0 Ihnen rund um die Uhr kostenlosen Online-Service, Deshalb legen wir großen Wert auf die Qualität, Wenn Sie sich für den CTAL-TA_V4.0 Prüfungstest entscheiden, bedeutet dies, dass Sie eine positive und motivierte Person sind und große Fortschritte in Ihrem Leben machen wollen.

CTAL-TA_V4.0 Musterprüfungsfragen - CTAL-TA_V4.0Zertifizierung & CTAL-TA_V4.0Testfragen

- CTAL-TA_V4.0 Zertifizierungsfragen, ISQI CTAL-TA_V4.0 PrüfungFragen Suchen Sie jetzt auf de.fast2test.com nach CTAL-TA_V4.0 und laden Sie es kostenlos herunter CTAL-TA_V4.0 Testantworten
- CTAL-TA_V4.0 Exam Fragen CTAL-TA_V4.0 Prüfungsfrage CTAL-TA_V4.0 Lernhilfe Suchen Sie einfach auf www.itzert.com nach kostenloser Download von { CTAL-TA_V4.0 } CTAL-TA_V4.0 Prüfungsmaterialien
- CTAL-TA_V4.0 Fragenkatalog CTAL-TA_V4.0 Examengine CTAL-TA_V4.0 Lernhilfe Sie müssen nur zu www.itzert.com gehen um nach kostenloser Download von www.itzert.com zu suchen CTAL-TA_V4.0 Testengine
- CTAL-TA_V4.0 Prüfungs CTAL-TA_V4.0 Prüfungs-Guide CTAL-TA_V4.0 Exam Fragen Suchen Sie jetzt auf www.itzert.com nach www.itzert.com um den kostenlosen Download zu erhalten CTAL-TA_V4.0 Examengine
- Sie können so einfach wie möglich - CTAL-TA_V4.0 bestehen! Öffnen Sie die Webseite www.pruefungfrage.de und suchen Sie nach kostenloser Download von CTAL-TA_V4.0 CTAL-TA_V4.0 Schulungsangebot
- Die seit kurzem aktuellsten ISQI CTAL-TA_V4.0 Prüfungsinformationen, 100% Garantie für Ihren Erfolg in der Prüfungen! URL kopieren www.itzert.com Öffnen und suchen Sie CTAL-TA_V4.0 Kostenloser Download CTAL-TA_V4.0 Prüfungsmaterialien
- CTAL-TA_V4.0 Torrent Anleitung - CTAL-TA_V4.0 Studienführer - CTAL-TA_V4.0 wirkliche Prüfung Öffnen Sie de.fast2test.com geben Sie de.fast2test.com ein und erhalten Sie den kostenlosen Download CTAL-TA_V4.0 Übungsmaterialien
- CTAL-TA_V4.0 Zertifizierungsfragen, ISQI CTAL-TA_V4.0 PrüfungFragen www.itzert.com ist die beste Webseite um den kostenlosen Download von CTAL-TA_V4.0 zu erhalten CTAL-TA_V4.0 Lernhilfe
- CTAL-TA_V4.0 Simulationsfragen CTAL-TA_V4.0 Schulungsunterlagen CTAL-TA_V4.0 Testantworten Suchen Sie jetzt auf www.echtfage.top nach CTAL-TA_V4.0 um den kostenlosen Download zu erhalten CTAL-TA_V4.0 Testengine
- CTAL-TA_V4.0 Prüfungsfrage CTAL-TA_V4.0 Prüfungsmaterialien CTAL-TA_V4.0 Fragen Antworten Suchen Sie jetzt auf www.itzert.com nach “CTAL-TA_V4.0” und laden Sie es kostenlos herunter CTAL-TA_V4.0 Exam Fragen
- CTAL-TA_V4.0 Testantworten CTAL-TA_V4.0 Fragenkatalog CTAL-TA_V4.0 Simulationsfragen URL kopieren www.deutschpruefung.com Öffnen und suchen Sie CTAL-TA_V4.0 Kostenloser Download CTAL-TA_V4.0 Prüfungs
- www.stes.tyc.edu.tw, nimmansocial.com, caoimhemilm163395.blogdeazar.com, jayykob612713.wikiexcerpt.com, jimlmicq333028.blogvivi.com, social-medialink.com, geraldrmqk382792.blogars.com, majaudsw036617.wizzardsblog.com, bookmarkforest.com, lilyospt883460.wikiusnews.com, Disposable vapes