

Valid HPE7-A02 Exam Camp Pdf Exam | HPE7-A02 Test Valid-100% free



BONUS!!! Download part of TestkingPass HPE7-A02 dumps for free: <https://drive.google.com/open?id=1LPyGbFWz67yhz9juKJYam8Q94PPjJsaw>

Owing to the industrious dedication of our experts and other working staff, our HPE7-A02 study materials grow to be more mature and are able to fight against any difficulties. Our HPE7-A02 preparation exam have achieved high pass rate in the industry, and we always maintain a 99% pass rate with our endless efforts. We have to admit that behind such a startling figure, there embrace mass investments from our company on our HPE7-A02 learning quiz. But it is all worth that as the high pass rate can make sure our customers pass the exam by the best percentage.

To prepare for the HPE7-A02 Exam, candidates can attend training courses offered by HPE or study on their own using resources such as books, practice exams, and online tutorials. Passing the exam requires a thorough understanding of network security concepts and hands-on experience with security technologies. Earning the ACNSP certification can help IT professionals advance their careers and demonstrate their expertise in network security to potential employers.

>> Valid HPE7-A02 Exam Camp Pdf <<

Unparalleled Valid HPE7-A02 Exam Camp Pdf Provide Prefect Assistance in HPE7-A02 Preparation

Our reliable HPE7-A02 question dumps are developed by our experts who have rich experience in the fields. Constant updating of the HPE7-A02 prep guide keeps the high accuracy of exam questions thus will help you get use the HPE7-A02 Exam quickly. During the exam, you would be familiar with the questions, which you have practiced in our HPE7-A02 question dumps. That's the reason why most of our customers always pass exam easily.

HP Aruba Certified Network Security Professional Exam Sample Questions (Q141-Q146):

NEW QUESTION # 141

A company has HPE Aruba Networking APs, which authenticate users to HPE Aruba Networking ClearPass Policy Manager (CPPM).

What does HPE Aruba Networking recommend as the preferred method for assigning clients to a role on the AOS firewall?

- A. OCreate server rules on the APs to assign clients to roles based on RADIUS IETF attributes returned by CPPM.
- **B. Configure CPPM to assign the role using a RADIUS enforcement profile with an Aruba-User-Role VSA.**
- C. Configure CPPM to assign the role using a RADIUS enforcement profile with a RADIUS:IETF Username attribute.
- D. Create user rules on the APs to assign clients to roles based on a variety of criteria.

Answer: B

Explanation:

The preferred method for assigning clients to a role on the AOS firewall is to configure HPE Aruba Networking ClearPass Policy Manager (CPPM) to assign the role using a RADIUS enforcement profile with an Aruba-User-Role VSA (Vendor-Specific Attribute). This method allows ClearPass to dynamically assign the appropriate user roles to clients during the authentication process, ensuring that role-based access policies are consistently enforced across the network.

NEW QUESTION # 142

You need to set up HPE Aruba Networking ClearPass Policy Manager (CPPM) to provide certificate- based authentication of 802.1X supplicants. How should you upload the root CA certificate for the supplicants' certificates?

- A. As a ClearPass Server certificate with the Database usage.
- **B. As a Trusted CA with the EAP usage.**
- C. As a Trusted CA with the AD/LDAP usage.
- D. As a ClearPass Server certificate with the RADIUS/EAP usage.

Answer: B

Explanation:

* 802.1X Authentication Workflow: Requires the root CA certificate of the issuing authority for the supplicants' certificates. This ensures that the server can validate the client certificate during the EAP- TLS handshake.

* Trusted CA Usage: In ClearPass, certificates with "Trusted CA" usage are used for validating client and server identities during secure authentication exchanges.

* Option A: Incorrect. The "ClearPass Server certificate" is used for server-side identity verification and is not used to validate client certificates.

* Option B: Incorrect. Database usage is unrelated to RADIUS/EAP or certificate validation.

* Option C: Incorrect. While LDAP/AD integration supports certificate validation, this is not the primary purpose of Trusted CAs for 802.1X.

* Option D: Correct. Trusted CAs for EAP are required to validate client certificates during the authentication process.

By uploading the root CA as a "Trusted CA with EAP usage," the CPPM can properly authenticate the certificates presented by the supplicants during EAP-TLS negotiations.

NEW QUESTION # 143

A company uses HPE Aruba Networking APs running AOS-10, HPE Aruba Networking Central, and HPE Aruba Networking ClearPass Policy Manager (CPPM). After starting to implement TEAP to authenticate wireless clients, admins notice that all clients are showing up on APs and in HPE Aruba Networking Central with the "anonymous" username. They want to see users' actual names there.

What can they do to address this issue?

- A. Configure the HPE Aruba Networking Central group settings to enable deep packet inspection and firewall visibility on all HPE Aruba Networking APs.
- B. On CPPM, edit the AD authentication source and add a custom attribute that collects the username.
- **C. Have CPPM apply an additional RADIUS enforcement profile to authenticated clients, which specifies the TEAP Method 2 username.**
- D. On the APs, make sure that RADIUS proxy is disabled. Also ensure that all APs are added as network devices on CPPM.

Answer: C

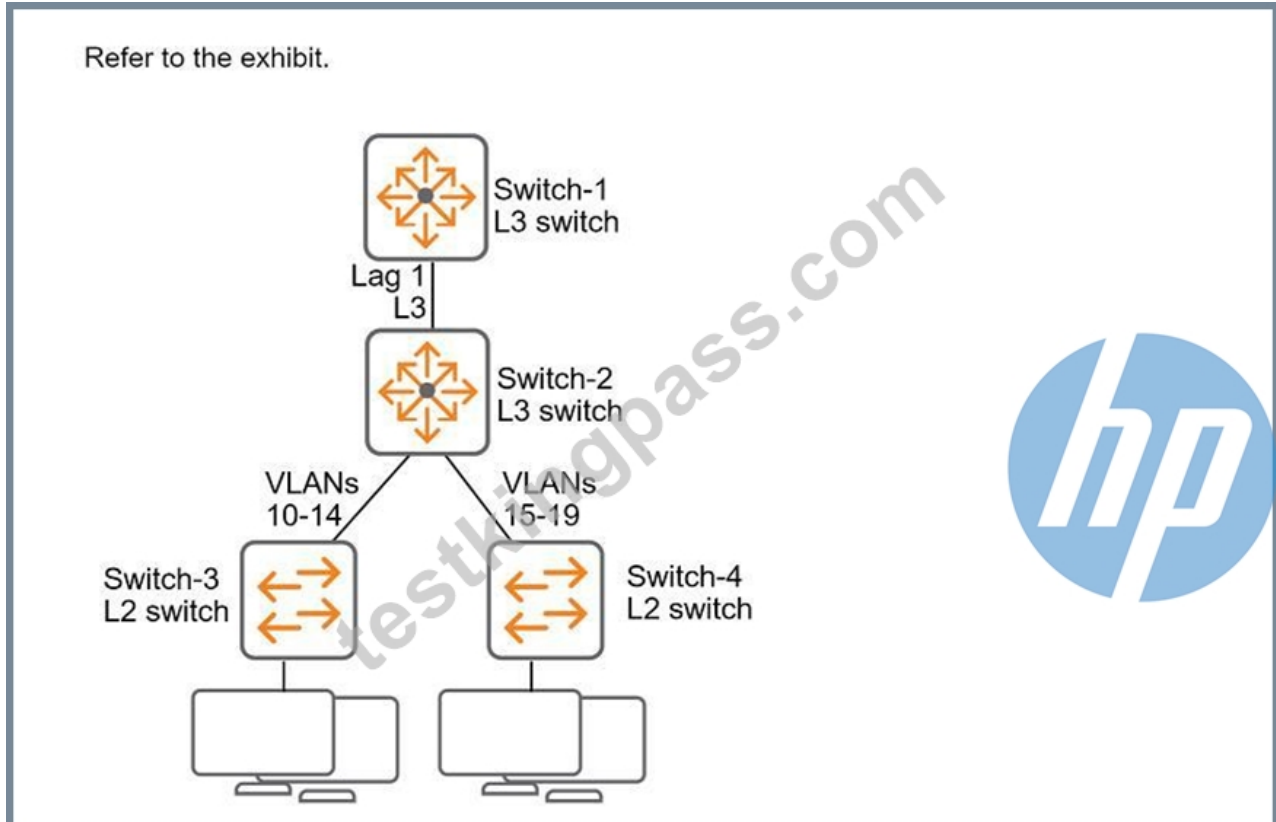
Explanation:

TEAP can use an anonymous outer identity to protect user privacy during the EAP exchange. That is why APs and Aruba Central

might display "anonymous" instead of the authenticated username. To make the actual username visible, CPPM must return the correct identity attribute after authentication. Applying an additional RADIUS enforcement profile that specifies the TEAP Method 2 username allows the infrastructure to display the real authenticated user identity. Editing the AD source does not solve what identity is returned to the AP.

DPI and firewall visibility are unrelated to RADIUS identity reporting. Disabling RADIUS proxy or adding APs as network devices might help other deployments, but it does not directly replace anonymous TEAP identity reporting.

NEW QUESTION # 144



All of the switches in the exhibit are AOS-CX switches.

What is the preferred configuration on Switch-2 for preventing rogue OSPF routers in this network?

- A. Disable OSPF entirely on VLANs 10-19.
- **B. Configure OSPF authentication on Lag 1 in MD5 mode.**
- C. Configure OSPF authentication on VLANs 10-19 in password mode.
- D. Configure passive-interface as the OSPF default and disable OSPF passive on Lag 1.

Answer: B

Explanation:

To prevent rogue OSPF routers in the network shown in the exhibit, the preferred configuration on Switch-2 is to configure OSPF authentication on Lag 1 in MD5 mode. This setup enhances security by ensuring that only routers with the correct MD5 authentication credentials can participate in the OSPF routing process.

This method protects the OSPF sessions against unauthorized devices that might attempt to introduce rogue routing information into the network.

1.OSPF Authentication: Implementing MD5 authentication on Lag 1 ensures that OSPF updates are secured with a cryptographic hash. This prevents unauthorized OSPF routers from establishing peering sessions and injecting potentially malicious routing information.

2.Secure Communication: MD5 authentication provides a higher level of security compared to simple password authentication, as it uses a more robust hashing algorithm.

3.Applicability: Lag 1 is the primary link between Switch-1 and Switch-2, and securing this link helps protect the integrity of the OSPF routing domain.

NEW QUESTION # 145

A company has a variety of HPE Aruba Networking solutions, including an HPE Aruba Networking infrastructure and HPE Aruba Networking ClearPass Policy Manager (CPPM). The company passes traffic from the corporate LAN destined to the data center through a third-party SRX firewall. The company would like to further protect itself from internal threats. What is one solution that you can recommend?

- A. Use tunnel mode SSIDs and user-based tunneling (UBT) on AOS-CX switches to pass all internal traffic directly through the third-party firewall.
- B. Add ClearPass Device Insight (CPDI) to the solution; integrate it with the third-party firewall to develop more complete device profiles.
- C. Configure CPPM to poll the third-party firewall for a broad array of information about internal clients, such as profile and posture.
- **D. Have the third-party firewall send Syslogs to CPPM, which can work with network devices to lock internal attackers out of the network.**

Answer: D

Explanation:

To further protect the company from internal threats, you can recommend having the third-party SRX firewall send Syslogs to HPE Aruba Networking ClearPass Policy Manager (CPPM). ClearPass can analyze these logs to detect potential security incidents and coordinate with network devices to respond to threats. By integrating Syslog data from the firewall, CPPM can identify malicious activities and take actions such as locking internal attackers out of the network or triggering specific security policies. This approach enhances the company's internal threat detection and response capabilities.

Reference: Aruba's ClearPass documentation on integrating with third-party security solutions and utilizing Syslog data for enhanced network security provides detailed guidance on setting up and using these features.

NEW QUESTION # 146

.....

Our HPE7-A02 study questions in every year are summarized based on the test purpose, every answer is a template, there are subjective and objective HPE7-A02 exams of two parts, we have in the corresponding modules for different topic of deliberate practice. To this end, our HPE7-A02 training materials in the qualification exam summarize some problem-solving skills, and induce some generic templates. The user can scout for answer and scout for score based on the answer templates we provide, so the universal template can save a lot of precious time for the user to study and pass the HPE7-A02 Exam.

HPE7-A02 Test Valid: <https://www.testkingpass.com/HPE7-A02-testking-dumps.html>

- Get The UP-To-Date HP HPE7-A02 Exam Questions Open www.prep4away.com enter [HPE7-A02] and obtain a free download New HPE7-A02 Test Book
- Get The UP-To-Date HP HPE7-A02 Exam Questions Enter www.pdfvce.com and search for **HPE7-A02** to download for free HPE7-A02 Flexible Testing Engine
- Latest HPE7-A02 Exam Vce * New HPE7-A02 Dumps Sheet Test HPE7-A02 Engine Version Enter [www.practicevce.com] and search for { HPE7-A02 } to download for free Latest HPE7-A02 Exam Vce
- HPE7-A02 Dumps For Pdfvce - Best Open www.pdfvce.com enter **HPE7-A02** and obtain a free download New HPE7-A02 Test Book
- HPE7-A02 Reliable Braindumps Sheet New HPE7-A02 Test Book Exam HPE7-A02 Vce Search for HPE7-A02 and easily obtain a free download on www.pass4test.com HPE7-A02 Exam Papers
- HPE7-A02 Latest Braindumps Sheet HPE7-A02 Test Study Guide HPE7-A02 Reliable Braindumps Sheet Easily obtain free download of HPE7-A02 by searching on www.pdfvce.com HPE7-A02 Exam PDF
- HPE7-A02 Exam PDF Latest HPE7-A02 Exam Vce HPE7-A02 Latest Braindumps Sheet Search on “ www.examcollectionpass.com ” for HPE7-A02 to obtain exam materials for free download HPE7-A02 Reliable Braindumps Files
- HPE7-A02 Questions and Answers: Aruba Certified Network Security Professional Exam - HPE7-A02 Practice Test Search for **HPE7-A02** and obtain a free download on www.pdfvce.com HPE7-A02 Latest Braindumps Sheet
- HPE7-A02 Reliable Braindumps Files HPE7-A02 Exam Introduction Exam HPE7-A02 Vce Search for (HPE7-A02) and easily obtain a free download on www.prep4away.com HPE7-A02 Customizable Exam Mode
- HPE7-A02 Exam PDF HPE7-A02 Exam PDF HPE7-A02 Reliable Braindumps Sheet Search for (HPE7-A02) on www.pdfvce.com immediately to obtain a free download HPE7-A02 Exam PDF

- HPE7-A02 New Cram Materials Braindump HPE7-A02 Pdf HPE7-A02 Exam PDF ➡
www.prep4away.com is best website to obtain “HPE7-A02 ” for free download Valid HPE7-A02 Exam Sample
- kallummzxw456892.kylieblog.com, lilianpgcd761708.daneblogger.com, bookmarktune.com, myportal.utt.edu.tt,
myportal.utt.edu.tt, myportal.utt.edu.tt, myportal.utt.edu.tt, myportal.utt.edu.tt, myportal.utt.edu.tt,
optimusbookmarks.com, reallivesocial.com, haleemahdyx213003.p2blogs.com, owainhyvp875658.thebindingwiki.com,
matheqjdw120039.ttblogs.com, charliecgxd476876.life3dblog.com, Disposable vapes

P.S. Free 2026 HP HPE7-A02 dumps are available on Google Drive shared by TestkingPass: <https://drive.google.com/open?id=1LPyGbFWz67yhz9juKJYam8Q94PPjJsaw>