

JN0-650 Reliable Braindumps Questions, JN0-650 Latest Test Discount



2026 Latest Braindumpsqa JN0-650 PDF Dumps and JN0-650 Exam Engine Free Share: <https://drive.google.com/open?id=1GrENbsQ3UxA7g2t7X0H7xILd0qzyXm32>

Our JN0-650 learning materials are new but increasingly popular choices these days which incorporate the newest information and the most professional knowledge of the practice exam. All points of questions required are compiled into our JN0-650 Preparation quiz by experts. By the way, the JN0-650 certificate is of great importance for your future and education. Our JN0-650 practice materials cover all the following topics for your reference.

Juniper JN0-650 Exam Syllabus Topics:

Topic	Details
Topic 1	<ul style="list-style-type: none"> • EVPN: This section addresses Ethernet VPN technology for Layer 2 over Layer 3 connectivity, covering EVPN route types, VXLAN encapsulation, and multi-homing configurations.
Topic 2	<ul style="list-style-type: none"> • Ethernet Switching and Spanning Tree: This section covers advanced Layer 2 switching including filter-based VLANs, private VLANs, MVRP, Layer 2 tunneling via Q-in-Q and L2PT, plus MSTP and VSTP protocols.
Topic 3	<ul style="list-style-type: none"> • Layer 2 Authentication and Access Control: This domain examines network access control mechanisms including 802.1x, MAC RADIUS, captive portal, server fail fallback, guest VLANs, and multi-method authentication considerations.
Topic 4	<ul style="list-style-type: none"> • Interior Gateway Protocols (IGPs): This domain covers internal routing protocols operating within a single autonomous system, including OSPFv2, OSPFv3, and routing policy implementation, along with configuration, troubleshooting, and monitoring skills.
Topic 5	<ul style="list-style-type: none"> • Class of Service (CoS): This domain covers QoS mechanisms in Junos including CoS processing, header fields, forwarding classes, classification, policers, schedulers, drop profiles, shaping, and rewrite rules.

JN0-650 Latest Test Discount, JN0-650 New Exam Materials

To increase your chances of success, consider utilizing the JN0-650 Exam Questions, which are valid, updated, and reflective of the actual JN0-650 Exam. Don't miss the opportunity to strengthen your Juniper JN0-650 exam preparation with these valuable questions.

Juniper Enterprise Routing and Switching, Professional (JNCIP-ENT) Sample Questions (Q49-Q54):

NEW QUESTION # 49

Which BGP attribute is used to influence outbound traffic selection by a router in Junos OS?

- A. Weight
- B. Local Preference
- C. AS Path Length
- D. MED

Answer: B

NEW QUESTION # 50

Which two authentication methods are available for OSPF on Juniper devices? (Choose two.)

- A. Certificate
- B. RSA
- C. MD5 authentication
- D. none

Answer: C,D

NEW QUESTION # 51

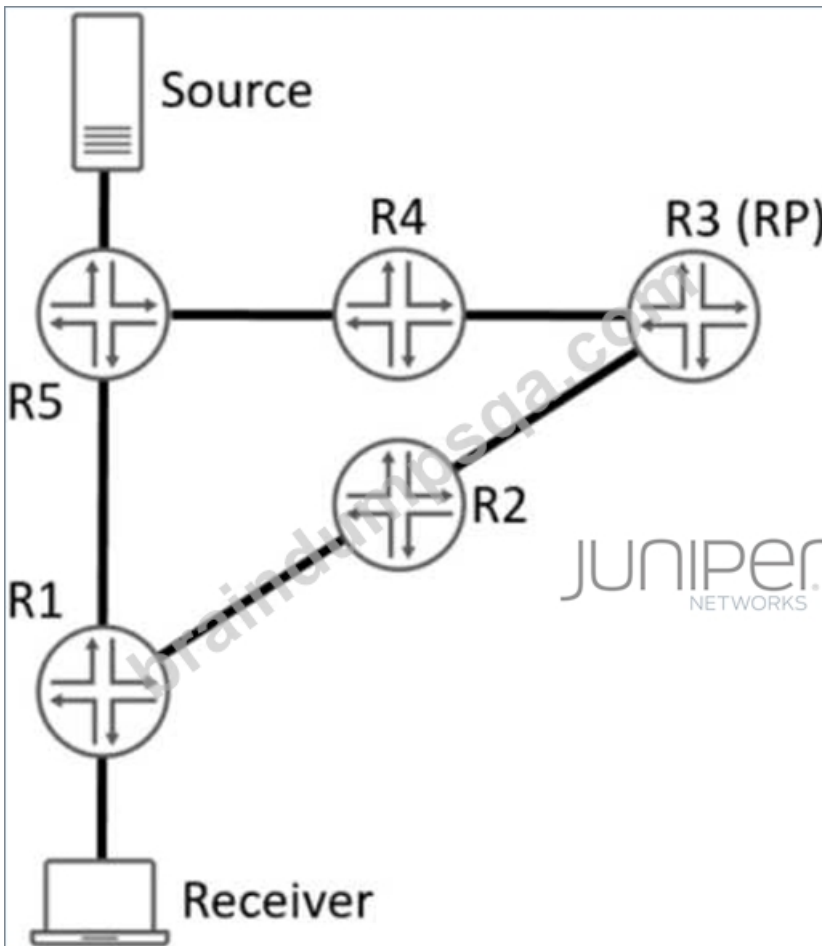
How is MSDP used in conjunction with PIM-SM?

- A. To exchange multicast source information between PIM-SM domains
- B. To optimize the multicast routing table size
- C. To replace the need for an RP within a PIM-SM domain
- D. To enhance multicast traffic encryption

Answer: A

NEW QUESTION # 52

Click the Exhibit button.



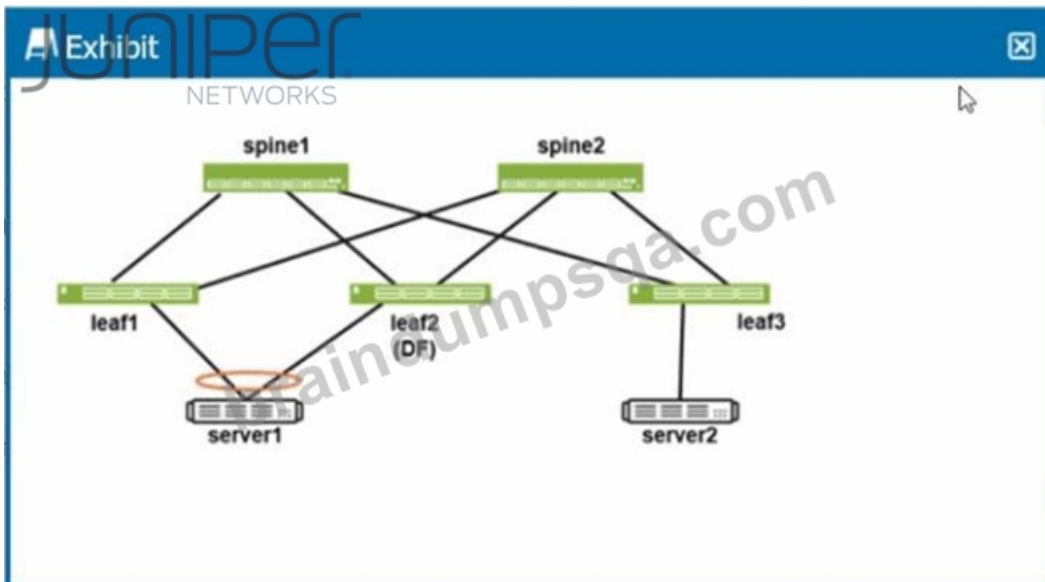
Referring to the exhibit, a PIM-SM network is set up to enable communication between multicast devices. Which two statements are true? (Choose two.)

- A. Before the formation of the rendezvous-point tree, an IGMP is sent from the Receiver to R1.
- B. Before the formation of the rendezvous-point tree, an IGMP is sent from the Source to R5.
- C. Before the formation of the rendezvous-point tree, a join message is sent from R1 to R5.
- D. Before the formation of the rendezvous-point tree, a join message is sent from R1 to R3.

Answer: A,D

NEW QUESTION # 53

Exhibit.



Referring to the exhibit, leaf2 is elected the designated forwarder
Which two statements are correct if server2 generates a broadcast frame*? (Choose two.)

- A. The broadcast frame will be forwarded to leaf1 and leaf2.
- B. Only leaf2 will forward the broadcast frame to server1
- C. Only leaf1 will forward the broadcast frame to server1.
- D. The broadcast frame will not be forwarded to leaf1.

Answer: A,B

Explanation:

The exhibit illustrates an EVPN-VXLAN fabric using multi-homing. Server1 is dual-homed to Leaf1 and Leaf2 using an Ethernet Segment Identifier (ESI) in an active-active or active-standby configuration.

Server2 is single-homed to Leaf3.

In EVPN environments, specific mechanisms are used to prevent loops and duplicate traffic when dealing with Broadcast, Unknown Unicast, and Multicast (BUM) traffic:

* Broadcast Propagation (Option A): When Server2 (connected to Leaf3) generates a broadcast frame, Leaf3 encapsulates this traffic into a VXLAN tunnel and forwards it to all other VTEPs (Virtual Tunnel End Points) that participate in that specific Virtual Network Instance (VNI). Therefore, both Leaf1 and Leaf2 will receive the broadcast frame from the core fabric.

* Designated Forwarder (DF) Election (Option C): To prevent a multi-homed device (like Server1) from receiving duplicate copies of the same broadcast frame from multiple leaf switches, EVPN utilizes a Designated Forwarder (DF). For a given ESI, only one leaf switch is elected as the DF.

* The exhibit explicitly states that Leaf2 is the Designated Forwarder.

* According to the Junos EVPN implementation, only the DF is responsible for decapsulating BUM traffic received from the core and forwarding it to the local access segment.

* While Leaf1 receives the frame (Option A), it will see that it is not the DF for that segment and will drop the frame rather than forwarding it to Server1. This ensures Server1 receives exactly one copy of the broadcast, delivered by Leaf2.

* Option B is incorrect because in a standard ingress replication or multicast-based underlay, all VTEPs in the VNI receive the broadcast.

* Option D is incorrect because Leaf1 is the non-designated forwarder (non-DF) for this segment and is prohibited from forwarding BUM traffic to the ESI.

NEW QUESTION # 54

.....

For candidates who are going to select the JN0-650 training materials for the exam, the pass rate for the JN0-650 training materials is important. With pass rate reaching 98.65%, the exam dumps have reached great popularity among the candidates, and we have received many good feedbacks from the buyers. In addition, JN0-650 Exam Materials are edited by professional experts, they possess the professional knowledge for the exam, therefore the quality can be guaranteed. We have free demo for you to have a try for JN0-650 training materials. You can have a try before buying.

JN0-650 Latest Test Discount: https://www.braindumpsqa.com/JN0-650_braindumps.html

- JN0-650 Dumps For www.torrentvce.com - Best ☺ Search on www.torrentvce.com ☐ for 「 JN0-650 」 to obtain exam materials for free download ☐ JN0-650 Valid Exam Book
- 100% Pass 2026 Juniper JN0-650 Fantastic Reliable Braindumps Questions ☐ Open ✓ www.pdfvce.com ☐ ✓ ☐ enter ☐ JN0-650 ☐ and obtain a free download ☐ Latest JN0-650 Exam Objectives
- Latest JN0-650 Exam Cost ☐ Latest JN0-650 Exam Objectives ☐ JN0-650 Torrent ☐ Open ☐ www.prepawayexam.com ☐ enter ⇒ JN0-650 ⇐ and obtain a free download ☐ JN0-650 Cheap Dumps
- Trustworthy JN0-650 Exam Torrent ☐ Exam JN0-650 Pattern ☐ Latest JN0-650 Exam Objectives ☐ Go to website ➡ www.pdfvce.com ☐ open and search for 【 JN0-650 】 to download for free ☐ JN0-650 Valid Exam Book
- JN0-650 Torrent ☐ Latest JN0-650 Exam Objectives ☐ JN0-650 Latest Practice Materials ☐ Go to website ☐ www.prepawayete.com ☐ open and search for “JN0-650” to download for free ☐ JN0-650 Torrent
- Test JN0-650 Guide ☐ JN0-650 Cheap Dumps ☐ Exam JN0-650 Pattern ☐ Search for { JN0-650 } and download it for free on ➡ www.pdfvce.com ☐ website ☐ JN0-650 Latest Practice Materials
- Valid JN0-650 Exam Objectives ☐ Real JN0-650 Questions ☐ JN0-650 Exam Dumps ☐ Search for ➡ JN0-650 ☐ ☐ ☐ and download it for free on ➡ www.examcollectionpass.com ☐ website ☐ JN0-650 Valid Exam Online
- JN0-650 Sample Questions Pdf ☐ Test JN0-650 Guide ☐ JN0-650 100% Exam Coverage ☐ Open ⇒ www.pdfvce.com ⇐ enter 《 JN0-650 》 and obtain a free download ☐ Exam JN0-650 Pattern
- Interactive JN0-650 Course ☐ Valid Dumps JN0-650 Ppt ☐ JN0-650 Exam Dumps ☐ Search for ☐ JN0-650 ☐ and

