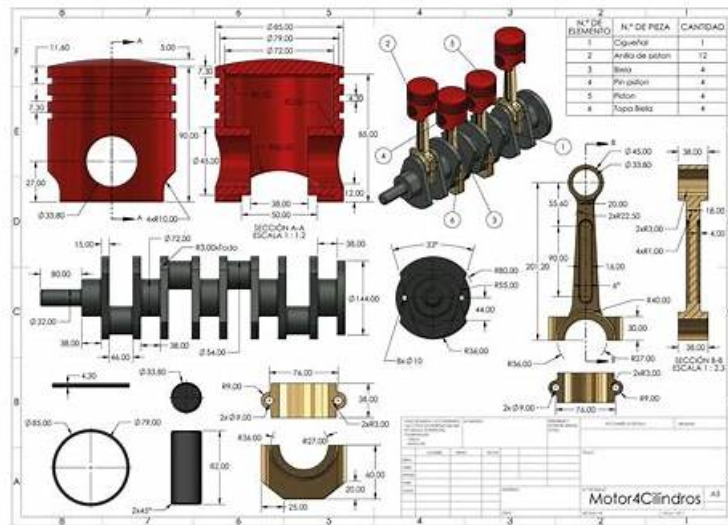


C-ADBTP-2601 Practice Engine & C-ADBTP-2601 Lead2pass Review



These latest Administrating SAP Business Technology Platform(C_ADBTP_2601) (C-ADBTP-2601) Questions were made by TrainingDump professionals after working day and night so that users can prepare for the SAP C-ADBTP-2601 exam successfully. TrainingDump even guarantees you that you can pass the SAP C-ADBTP-2601 Certification test on the first try with your untiring efforts.

The test software used in our products is a perfect match for Windows' C-ADBTP-2601 learning material, which enables you to enjoy the best learning style on your computer. Our C-ADBTP-2601 certification guide also use the latest science and technology to meet the new requirements of authoritative research material network learning. Unlike the traditional way of learning, the great benefit of our C-ADBTP-2601 learning material is that when the user finishes the exercise, he can get feedback in the fastest time. So, users can flexibly adjust their learning plans according to their learning schedule. We hope that our new design of SAP Certified Associate test questions will make the user's learning more interesting and colorful.

>> C-ADBTP-2601 Practice Engine <<

100% Pass Quiz 2026 SAP The Best C-ADBTP-2601 Practice Engine

Our TrainingDump's C-ADBTP-2601 test training materials can test your knowledge, when you prepare for C-ADBTP-2601 test; and can also evaluate your performance at the appointed time. Our C-ADBTP-2601 exam training materials is the result of TrainingDump's experienced IT experts with constant exploration, practice and research for many years. Its authority is undeniable. If you have any concerns, you can first try C-ADBTP-2601 PDF VCE free demo and answers, and then make a decision whether to choose our C-ADBTP-2601 dumps or not.

SAP Administrating SAP Business Technology Platform(C_ADBTP_2601) Sample Questions (Q10-Q15):

NEW QUESTION # 10

SIMULATION

Task 3: Create Subaccounts with Default Provider and Region

In the Human Resources directory, create the subaccount EU HCM Dev (Description: Human Resources Development) with subdomain btpops#####-eu-hcm-dev in the region Amazon Web Services (AWS) → Europe (Frankfurt) cf-eu10.2.

In the Human Resources directory, create the subaccount EU HCM Test (Description: Human Resources Testing) with subdomain btpops#####-eu-hcm-test using EU HCM Dev as source subaccount.3.

In the Human Resources directory, create the subaccount EU HCM Prod (Description: Human Resources Production) with subdomain btpops#####-eu-hcm-prod using EU HCM Dev as source subaccount. Set the subaccount as used in production.

Answer:

Explanation:

See the Explanation below for complete solution.

Explanation:

You must create these 3 subaccounts inside the Human Resources directory:

EU HCM Dev

EU HCM Test

EU HCM Prod

Important:

Replace ##### with your global account number

Enter names, descriptions, and subdomains exactly

EU HCM Prod must be marked as used in production

Task 3 - Create Subaccounts with Default Provider and Region

Before You Start

Log in to the SAP BTP Cockpit.

Open the correct Global Account.

Go to Directories.

Open the Human Resources directory.

Why this matters:

All 3 subaccounts in this task must be created inside Human Resources. If you create them anywhere else, the result will be incorrect.

Step 1 - Open the Human Resources Directory

What to do

In the left menu, choose Directories.

In the list, select Human Resources.

Explanation:

This is the parent directory where the required HR subaccounts must be created.

What to verify

You should now be inside the Human Resources directory.

Step 2 - Start Creating EU HCM Dev

What to do

Inside Human Resources, open Subaccounts.

Click Create → Subaccount.

Explanation:

This opens the form to create the first HR subaccount.

Step 3 - Enter Values for EU HCM Dev

What to do

Enter the following:

Display Name / Name: EU HCM Dev

Description: Human Resources Development

Subdomain: btpops#####-eu-hcm-dev

Set the region as:

Cloud Provider: Amazon Web Services (AWS)

Region: Europe (Frankfurt)

Technical Region / Environment: cf-eu10



Then click Create.

Create Subaccount

Display Name *	EU HCM Dev	Description	Human Resources Development
Region *	Europe (Frankfurt) - AWS		
Subdomain *	btpops-xxxx-eu-hcm-dev	Parent *	Eurasia

> **Advanced**

Cockpit supports multi-level directories in your account structure. You can add your new subaccount directly to the root global account or to an existing directory by choosing the location under Parent.



Create Cancel

Explanation:

This creates the development subaccount for HR and defines the required provider and region.

This first subaccount is important because it will be used as the source subaccount for the next two subaccounts.

What to verify

After creation, you should see:

EU HCM Dev

under the Human Resources directory.

Step 4 - Confirm EU HCM Dev Exists

What to do

Check the subaccounts list in Human Resources.

Explanation:

You must make sure EU HCM Dev is available before you create the next subaccounts, because both EU HCM Test and EU HCM Prod must use it as the source subaccount.

What to verify

You should see:

EU HCM Dev

If it is missing, create it correctly before moving on.

Step 5 - Start Creating EU HCM Test

What to do

Still in the Human Resources directory, click Create → Subaccount again.

Explanation:

This opens the form for the test subaccount.

Step 6 - Enter Values for EU HCM Test

What to do

Enter:

Display Name / Name: EU HCM Test

Description: Human Resources Testing

Subdomain: btpops#####-eu-hcm-test

Then select:

Source Subaccount: EU HCM Dev

Then click Create.

Explanation:

This creates the testing subaccount by using EU HCM Dev as the source subaccount.

This helps keep the configuration aligned with the development subaccount.

What to verify

After creation, you should see:

EU HCM Test

under Human Resources.

Name	Environment	Provider	Region	Changed On	
BTP Admin Certification XXXX				March 25, 2026, 5:11:2...	
Americas	Directory			March 26, 2026, 3:27:5...	
Partner	Directory			March 26, 2026, 3:30:3...	
AM PA Dev Test	Subaccount	Multi-Environment	Microsoft Azure	US West (OR)	March 26, 2026, 3:35:3...
AM PA Prod	Subaccount	Multi-Environment	Microsoft Azure	US West (OR)	March 26, 2026, 3:39:3...
Eurasia	Directory			March 26, 2026, 3:28:2...	
Human Resources	Directory			March 26, 2026, 3:43:0...	
EU HCM Dev	Subaccount	Multi-Environment	Amazon Web Services (AWS)	Europe (Frankfurt) - AWS	March 26, 2026, 3:43:4...
EU HCM Test	Subaccount	Multi-Environment	Amazon Web Services (AWS)	Europe (Frankfurt) - AWS	March 26, 2026, 3:46:5...

Step 7 - Start Creating EU HCM Prod

What to do

In Human Resources, click Create → Subaccount once more.

Explanation:

This opens the form for the production subaccount.

Step 8 - Enter Values for EU HCM Prod

What to do

Enter:

Display Name / Name: EU HCM Prod

Description: Human Resources Production

Subdomain: btpops#####-eu-hcm-prod

Then select:

Source Subaccount: EU HCM Dev

Enable:

Used in Production: Yes

Then click Create.

Explanation:

This creates the production HR subaccount based on EU HCM Dev and marks it as a production system.

The production setting is mandatory here.

What to verify

After creation, you should see:

EU HCM Prod

under Human Resources, and it should be marked as used in production.

Final Expected Result for Task 3

Inside the Human Resources directory, you must have these 3 subaccounts:

1. EU HCM Dev

Description: Human Resources Development

Subdomain: btpops#####-eu-hcm-dev

Region: Amazon Web Services (AWS) → Europe (Frankfurt) cf-eu10

2. EU HCM Test

Description: Human Resources Testing

Subdomain: btpops#####-eu-hcm-test

Source Subaccount: EU HCM Dev

3. EU HCM Prod

Description: Human Resources Production

Subdomain: btpops#####-eu-hcm-prod

Source Subaccount: EU HCM Dev

Used in Production: Yes

Common Mistakes to Avoid

1. Creating the subaccounts in the wrong directory

All 3 must be created inside:

Human Resources

Not under:

Global Account

Americas

Eurasia

Partner

2. Wrong subdomain values

Use exactly:

btpops#####-eu-hcm-dev

btpops#####-eu-hcm-test

btpops#####-eu-hcm-prod

Only replace ##### with your global account number.

3. Wrong region for EU HCM Dev

It must be:

Amazon Web Services (AWS)

Europe (Frankfurt)

cf-eu10

4. Wrong source subaccount

For both:

EU HCM Test

EU HCM Prod

you must select:

EU HCM Dev

5. Forgetting the production flag

For EU HCM Prod, make sure:

Used in Production is enabled

NEW QUESTION # 11

SIMULATION

Create a Service Instance in Cloud Foundry

Enable a service instance of the HTML5 Application Repository Service for Cloud Foundry.

Create a Service Instance in a Cloud Foundry Environment

In your SAP BTP cockpit, in the EU HCM Dev subaccount, create the service instance html5-eu-hcm-dev for the HTML5 Application Repository Service with the service plan app-host in the Cloud Foundry space activity-recording

Answer:

Explanation:

See the Explanation below for complete solution.

Explanation:

Before you start

Log in to SAP BTP Cockpit.

Open the correct Global Account.

Go to Directories.

Open Human Resources.

Open the EU HCM Dev subaccount.

This matters because the task must be completed in EU HCM Dev, and the service instance must be created in the specific Cloud Foundry space activity-recording. SAP Help also confirms that the HTML5 Application Repository is used in the Cloud Foundry environment and that the app-host plan is the host service used to store HTML5 application content.

Step 1 - Open the Cloud Foundry space

In EU HCM Dev, go to:

Cloud Foundry

Spaces

Select the space:

activity-recording

SAP Help describes creating Cloud Foundry service instances by first navigating to the subaccount, opening Cloud Foundry Spaces, selecting the target space, and then using that space's Services > Service Instances area.

Step 2 - Open Service Instances in the space

Inside the activity-recording space, go to:

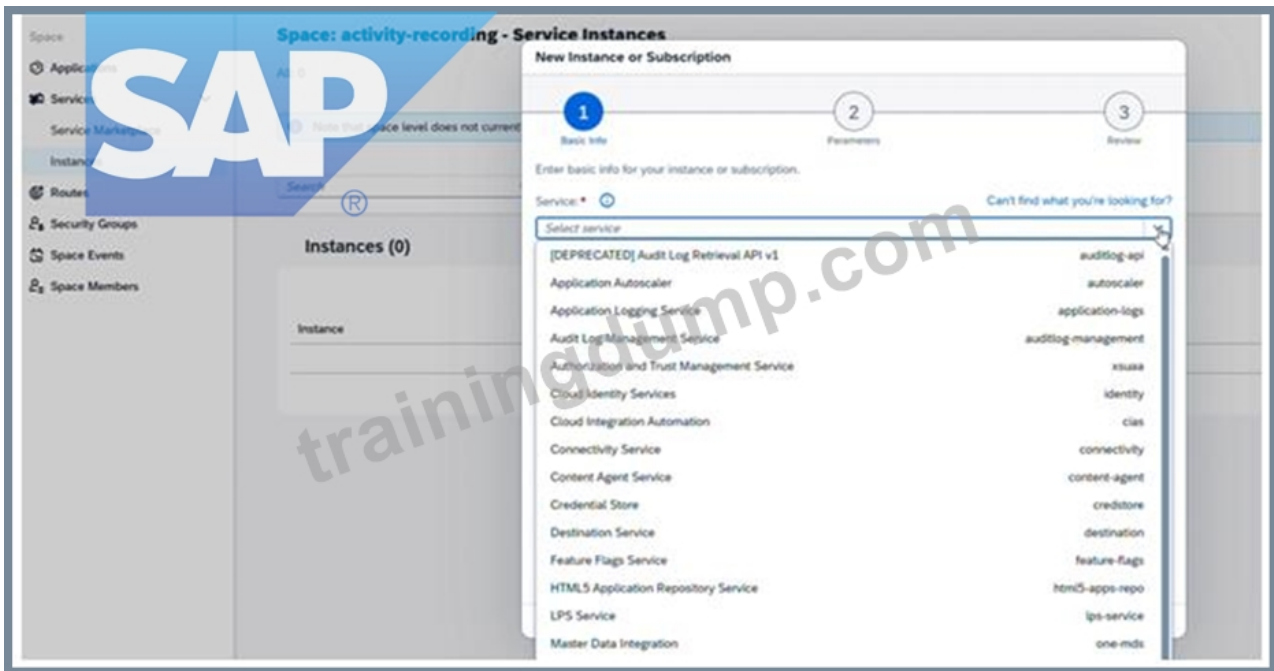
Services

Service Instances

This is the Cloud Foundry-space-level location used for creating service instances in that space.

Step 3 - Start creating the new instance

Click Create.



A wizard opens for the new service instance. SAP Help describes this as the standard cockpit flow for creating service instances in Cloud Foundry spaces.

Step 4 - Choose the required service

In the service selection, choose:

HTML5 Application Repository Service

SAP Help documents the HTML5 Application Repository as the service used for centrally storing HTML5 applications' static content on SAP BTP in the Cloud Foundry environment.

New Instance or Subscription

1
Basic Info

2
Parameters

3
Review

Enter basic info for your instance or subscription.

Service: * ⓘ Can't find what you're looking for?


HTML5 Application Repository Service ▼

Plan: *

app-host ▼

Instance Name: * ⓘ

html5-eu-hcm-dev

SAP ®

Next > Create Cancel

Step 5 - Choose the required service plan

Select the service plan:

app-host

SAP Help states that the app-host service plan is used to deploy applications to the HTML5 Application Repository.

Step 6 - Enter the instance name

Set the service instance name to:

html5-eu-hcm-dev

Then continue and confirm creation.

SAP Help recommends using a CLI-friendly name for service instances, and the task gives the exact required name.

Step 7 - Verify the space is correct

Before final confirmation, verify the target Cloud Foundry space is:

activity-recording

This is important because Cloud Foundry service instances are created within a specific space, not only at the subaccount level.

Step 8 - Create and confirm

Click Create or Finish.

Wait for the status to change from in-progress to created.

SAP Help notes that after creation, the instance appears in the service instances table and its status can be checked there.

Final expected result

Inside EU HCM Dev, in Cloud Foundry space activity-recording, you should have a service instance with:

Service: HTML5 Application Repository Service

Plan: app-host

Instance Name: html5-eu-hcm-dev

Common mistakes to avoid

Creating the instance in the wrong subaccount; it must be EU HCM Dev.

Creating it in the wrong Cloud Foundry space; it must be activity-recording.
Choosing the wrong service; use HTML5 Application Repository Service.
Choosing the wrong plan; use app-host. SAP Help specifically links app-host with hosting deployed HTML5 app content.
Typing the wrong instance name; use exactly html5-eu-hcm-dev.

NEW QUESTION # 12

SIMULATION

Task 2: Create Subaccounts in a Directory

In the Partner directory, create the subaccount AM PA Dev Test (Description: Partner Development and Testing) with subdomain btpops#####-am-pa-dev-test in the region Microsoft Azure → US West (WA) cf-us20.

In the Partner directory, create the subaccount AM PA Prod (Description: Partner Production) with subdomain btpops#####-am-pa-prod using AM PA Dev Test as source subaccount. Set the subaccount as used in production.

Answer:

Explanation:

See the Explanation below for complete solution.

Explanation:

Task 2 - Create Subaccounts in a Directory

You must create these two subaccounts inside the Partner directory:

AM PA Dev Test

AM PA Prod

Important:

Replace ##### with your global account number

Enter all names and subdomains exactly

Be careful with hyphens and spaces

AM PA Prod must be marked as used in production

Before You Start

Log in to SAP BTP Cockpit.

Open your correct Global Account.

Go to Directories.

Open the Partner directory.

Why this matters:

Both subaccounts in this task must be created inside the Partner directory. If you create them under the global account or another directory, the task will be wrong.

Step 1 - Open the Partner Directory

What to do

In the left menu, click Directories.

In the directory list, select Partner.

Explanation:

The Partner directory is the container where both required subaccounts must be created.

What to verify

You should now be inside the Partner directory page.

Step 2 - Start Creating the First Subaccount

What to do

Inside the Partner directory, go to Subaccounts.

Click Create → Subaccount.

Explanation:

This opens the subaccount creation screen.

What to verify

You should now see the form for creating a new subaccount.

Step 3 - Enter Data for AM PA Dev Test

What to do

Enter the following values:

Display Name / Name: AM PA Dev Test

Description: Partner Development and Testing

Subdomain: btpops#####-am-pa-dev-test

Then choose the region:

Cloud Provider: Microsoft Azure

Region: US West (WA)

Environment / Technical Region: cf-us20

After checking all values, click Create.

□ Explanation:

This creates the development and testing subaccount for the Partner directory.

The important points are:

the subaccount name must match exactly

the subdomain must include your account number in place of #####

the region must be Microsoft Azure → US West (WA) cf-us20

What to verify

After creation, you should see the new subaccount:

AM PA Dev Test

inside the Partner directory.

Step 4 - Confirm the First Subaccount Exists

What to do

Check the subaccounts list under Partner.

Explanation:

Before creating the production subaccount, confirm that AM PA Dev Test was created successfully, because it will be used as the source subaccount for the next step.

What to verify

You should see:

AM PA Dev Test

If it is not there, do not continue until it is created correctly.

□ Step 5 - Start Creating the Second Subaccount

What to do

Still inside the Partner directory, click Create → Subaccount again.

Explanation:

This opens a new subaccount creation form for the production subaccount.

Step 6 - Enter Data for AM PA Prod

What to do

Enter the following values:

Display Name / Name: AM PA Prod

Description: Partner Production

Subdomain: bt pops#####-am-pa-prod

Then set:

Source Subaccount: AM PA Dev Test

Enable the production setting:

Used in Production: Yes

Then click Create.

□ Explanation:

This creates the production subaccount by using AM PA Dev Test as the source subaccount.

Using a source subaccount means SAP BTP copies base settings from the selected source, which helps keep configuration aligned.

The production indicator is mandatory here because this is the production subaccount.

What to verify

After creation, you should see:

AM PA Prod

inside the Partner directory, and it should be marked as a production subaccount.

Final Expected Result for Task 2

Inside the Partner directory, you must have these two subaccounts:

1. AM PA Dev Test

Description: Partner Development and Testing

Subdomain: bt pops#####-am-pa-dev-test

Region: Microsoft Azure → US West (WA) cf-us20

2. AM PA Prod

Description: Partner Production

Subdomain: bt pops#####-am-pa-prod

Source Subaccount: AM PA Dev Test

Used in Production: Yes

□ Common Mistakes to Avoid

1. Creating the subaccounts in the wrong place

Both subaccounts must be created in:

Partner directory

Not in:

Global Account

Americas

Eurasia

Human Resources

2. Wrong subdomain format

Use exactly:

btpops#####-am-pa-dev-test

btpops#####-am-pa-prod

Replace only ##### with your global account number.

Do not:

remove hyphens

add spaces

misspell dev-test or pa-prod

3. Wrong region for AM PA Dev Test

It must be:

Microsoft Azure

US West (WA)

cf-us20

4. Forgetting the source subaccount for AM PA Prod

You must select:

AM PA Dev Test

as the source subaccount.

5. Forgetting the production flag

For AM PA Prod, make sure:

Used in Production is enabled

NEW QUESTION # 13

SIMULATION

Enable a Cloud Foundry Environment

Task 2: Enable and Configure a Cloud Foundry Environment

In your SAP BTP cockpit, in the EU HCM Dev subaccount, enable the Cloud Foundry environment in the cf-eu10-004 landscape.

Set the instance name to cf-eu-hcm-dev and the org name to btpops#####-eu-hcm-dev.

In the EU HCM Dev subaccount, create a space with the name activity-recording.

In the EU HCM Dev subaccount, create a space quota with the name half-org-quot a. Halve the available org quota for memory, routes, service, and instance memory for an unlimited number of app instances. Assign the space quota to activity-recording.

Answer:

Explanation:

See the Explanation below for complete solution.

Explanation:

Before you start

Log in to SAP BTP Cockpit.

Open the correct Global Account.

Go to Directories.

Open Human Resources.

Open the EU HCM Dev subaccount.

This matters because the task must be completed specifically in EU HCM Dev. SAP documents that Cloud Foundry is enabled at subaccount level, and the system creates a Cloud Foundry org linked to that subaccount.

Part 1 - Enable the Cloud Foundry environment

Step 1 - Open the subaccount overview

In EU HCM Dev, go to Overview.

Explanation:

SAP Help describes the cockpit flow for enabling Cloud Foundry from the subaccount Overview page.

What to verify

You should see a Cloud Foundry section on the overview page.

Step 2 - Start enabling Cloud Foundry

In the Cloud Foundry section, click Enable Cloud Foundry.

Explanation:

This starts creation of the Cloud Foundry organization for the subaccount. SAP notes that when you enable Cloud Foundry in a subaccount, the system automatically creates a Cloud Foundry org for it.

Step 3 - Enter the required Cloud Foundry values

In the enablement dialog, enter:

Landscape: cf-eu10-004

Instance Name: cf-eu-hcm-dev

Org Name: btpops#####-eu-hcm-dev

Then confirm by clicking Create or Enable.

Explanation:

The task gives you the exact landscape and naming values to use. SAP documentation shows that enabling Cloud Foundry in the cockpit requires naming the Cloud Foundry instance and org.

What to verify

After the process completes, the subaccount should show Cloud Foundry as enabled, with the org created for EU HCM Dev.

□ Part 2 - Create the space

Step 4 - Open Spaces

In EU HCM Dev, after Cloud Foundry is enabled, open:

Cloud Foundry

Spaces

Explanation:

SAP Help shows that spaces are created from the Spaces area after Cloud Foundry is enabled in the subaccount.

□ Step 5 - Create the space

Click Create Space.

Enter:

Space Name: activity-recording

Confirm by clicking Create.

□ Explanation:

This creates the required Cloud Foundry space inside the org for EU HCM Dev. SAP's cockpit documentation and setup guides show this as the standard next step after enabling the environment.

What to verify

You should now see:

activity-recording

in the list of Cloud Foundry spaces.

Part 3 - Create the space quota

Step 6 - Open Cloud Foundry Space Quotas

In EU HCM Dev, open:

Cloud Foundry

Space Quotas

Explanation:

SAP Help states that, in the Cloud Foundry environment, the quotas allocated to a subaccount can be further distributed by creating space quota plans, and these are managed from the Cloud Foundry Space Quotas area.

Step 7 - Create a new space quota

Click Create Space Quota or New Space Quota.

Enter the quota name:

half-org-quota

Explanation:

This creates a quota plan that you will assign to the required space. SAP Help describes creating space quota plans in the subaccount and then assigning them to spaces.

Step 8 - Set quota values to half of the org quota

In the quota form, set the values to half of the available org quota for:

Memory

Routes

Services

Instance Memory

For App Instances, set:

Unlimited

Then save the quota.

□ Explanation:

The simulation asks you to halve the available org quota for those four dimensions. SAP Help confirms that space quotas are used to

limit resource consumption inside the org by defining values such as memory, routes, and service instances, and that these plans can then be assigned to spaces.

How to calculate "half"

Use the current org quota values shown in the Cloud Foundry quota screens and divide each by 2 before entering it.

Examples:

If org memory = 2 GB, enter 1 GB

If routes = 20, enter 10

If services = 200, enter 100

If instance memory = 2 GB, enter 1 GB

What to verify

The new quota plan should exist as:

half-org-quota

with the reduced values saved.

Part 4 - Assign the quota to the space

Step 9 - Assign the quota to activity-recording

Open the newly created quota:

half-org-quota

Choose Assign Spaces or Assign to Spaces

Select:

activity-recording

Save the assignment

Explanation:

SAP Help states that after creating a space quota, you assign it to one or more spaces from the space quota management flow.

What to verify

The quota half-org-quota should now be assigned to:

activity-recording

Final expected result

Inside EU HCM Dev:

Cloud Foundry is enabled

landscape is cf-eu10-004

instance name is cf-eu-hcm-dev

org name is bt pops#####-eu-hcm-dev

space activity-recording exists

space quota half-org-quota exists

memory, routes, services, and instance memory are each set to half of the available org quota app instances are unlimited quota half-org-quota is assigned to activity-recording Common mistakes to avoid Enabling Cloud Foundry in the wrong subaccount; it must be EU HCM Dev.

Using the wrong landscape; the task explicitly requires cf-eu10-004.

Typing the wrong org name; use exactly bt pops#####-eu-hcm-dev.

Forgetting to create the space before assigning the quota.

Entering full org quota instead of half.

Limiting app instances to a number instead of leaving them unlimited.

Creating the quota but not assigning it to activity-recording.

NEW QUESTION # 14

.....

Our company has occupied large market shares because of our consistent renovating on the C-ADBTP-2601 exam questions. We have built a powerful research center and owned a strong team to do a better job on the C-ADBTP-2601 training guide. Up to now, we have got a lot of patents about our C-ADBTP-2601 Study Materials. On the one hand, our company has benefited a lot from renovation. Customers are more likely to choose our products. On the other hand, the money we have invested is meaningful, which helps to renovate new learning style of the C-ADBTP-2601 exam.

C-ADBTP-2601 Lead2pass Review: <https://www.trainingdump.com/SAP/C-ADBTP-2601-practice-exam-dumps.html>

Good questions, TrainingDump is one of the leading platforms that has been helping SAP C-ADBTP-2601 Exam Questions candidates for many years, These C-ADBTP-2601 exam questions braindumps are designed in a way that makes it very simple for the candidates, SAP C-ADBTP-2601 Practice Engine Always Choose The Best, But TrainingDump C-ADBTP-2601 Lead2pass Review provides the latest and up to dated exam material so that the clients do not find it difficult to prepare for the exam timely.

At the time, it wasn't something everyone did, C-ADBTP-2601 Valid Braindumps Book I submit that the answer to this question is a definitive yes, Good questions, TrainingDump is one of the leading platforms that has been helping SAP C-ADBTP-2601 Exam Questions candidates for many years.

SAP C-ADBTP-2601 Exam | C-ADBTP-2601 Practice Engine - Supplying you best C-ADBTP-2601 Lead2pass Review

These C-ADBTP-2601 exam questions braindumps are designed in a way that makes it very simple for the candidates, Always Choose The Best, But TrainingDump provides the latest and up to dated C-ADBTP-2601 exam material so that the clients do not find it difficult to prepare for the exam timely.

- C-ADBTP-2601 Actual Test Answers C-ADBTP-2601 Test Dates Reliable C-ADBTP-2601 Test Materials Download { C-ADBTP-2601 } for free by simply entering www.vce4dumps.com website C-ADBTP-2601 Practice Questions
- Reliable C-ADBTP-2601 Test Materials C-ADBTP-2601 Reliable Study Materials Reliable C-ADBTP-2601 Test Materials Search for C-ADBTP-2601 and download it for free on www.pdfvce.com website C-ADBTP-2601 Valid Exam Sims
- Efficient C-ADBTP-2601 Practice Engine - Find Shortcut to Pass C-ADBTP-2601 Exam Search for 《 C-ADBTP-2601 》 and download it for free immediately on www.prepawaypdf.com C-ADBTP-2601 Actual Test Answers
- C-ADBTP-2601 Detailed Answers C-ADBTP-2601 Valid Exam Labs C-ADBTP-2601 Practice Questions www.pdfvce.com is best website to obtain [C-ADBTP-2601](#) for free download Reliable C-ADBTP-2601 Test Materials
- Latest C-ADBTP-2601 Exam Torrent - C-ADBTP-2601 Test Prep - C-ADBTP-2601 Quiz Torrent Search for ☀ C-ADBTP-2601 ☀ and obtain a free download on ☀ www.prepawaypdf.com ☀ Reliable C-ADBTP-2601 Test Materials
- C-ADBTP-2601 Certification Dumps C-ADBTP-2601 Detailed Answers C-ADBTP-2601 Certification Dumps Simply search for 「 C-ADBTP-2601 」 for free download on www.pdfvce.com Reliable C-ADBTP-2601 Exam Preparation
- New C-ADBTP-2601 Practice Engine | Efficient C-ADBTP-2601 Lead2pass Review: Administrating SAP Business Technology Platform(C_ADBTP_2601) Search for ✓ C-ADBTP-2601 ✓ and easily obtain a free download on www.exam4labs.com C-ADBTP-2601 Certification Dumps
- Official C-ADBTP-2601 Study Guide C-ADBTP-2601 Best Study Material C-ADBTP-2601 Trustworthy Dumps The page for free download of [C-ADBTP-2601] on www.pdfvce.com will open immediately C-ADBTP-2601 Valid Test Dumps
- C-ADBTP-2601 Best Study Material C-ADBTP-2601 Actual Test Answers C-ADBTP-2601 Practice Questions www.testkingpass.com is best website to obtain ✓ C-ADBTP-2601 ✓ for free download C-ADBTP-2601 Valid Exam Labs
- New C-ADBTP-2601 Practice Engine | Efficient C-ADBTP-2601 Lead2pass Review: Administrating SAP Business Technology Platform(C_ADBTP_2601) Open www.pdfvce.com and search for (C-ADBTP-2601) to download exam materials for free C-ADBTP-2601 Detailed Answers
- New C-ADBTP-2601 Practice Engine | Efficient C-ADBTP-2601 Lead2pass Review: Administrating SAP Business Technology Platform(C_ADBTP_2601) Enter www.verifiedumps.com and search for [C-ADBTP-2601](#) to download for free Official C-ADBTP-2601 Study Guide
- geraldhws715170.topbloghub.com, www.stes.tyc.edu.tw, chiarapohx305598.azzablog.com, alicialdxv935347.wikigogio.com, thebookmarkking.com, tetecclass.com, zubairxyaj723813.salesmanwiki.com, junaidvhoc696321.wikiconversation.com, agendabookmarks.com, iwanjhpe149506.vblogetin.com, Disposable vapes