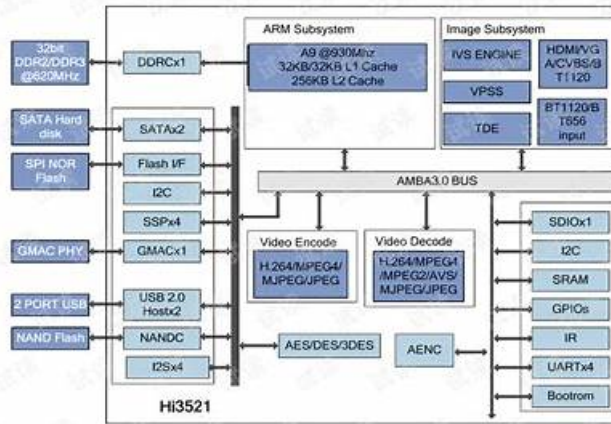


H35-211_V2.5 Valid Test Bootcamp | H35-211_V2.5 Reliable Exam Registration



图1-3 Hi3521 芯片逻辑框图



1.2.2 处理器内核

ARM Cortex A9 @Max. 930MHz

- 32KB L1 I-Cache, 32KB L1 D-Cache
- 256KB L2 Cache

1.2.3 多协议视频编解码

- H.264 Baseline/Main Profile@Level1-4.2 编码
- H.264 High Profile@Level4.2 解码
- MPEG-4 SP@Level3,ASP@Level5 解码
- MJPEG/JPEG Baseline 编解码
- CBR/VBR/ABR 码率控制, 16Kbit/s~40Mbit/s
- 编码帧率支持 1~60fps
- 支持感兴趣区域 (ROI) 编码
- 提供彩转灰编码

DOWNLOAD the newest DumpsTorrent H35-211_V2.5 PDF dumps from Cloud Storage for free: https://drive.google.com/open?id=1pQJail_EFqEJ8U71v_e9DighebaI0wI4

DumpsTorrent provides updated and valid Huawei H35-211_V2.5 Exam Questions because we are aware of the absolute importance of updates, keeping in mind the dynamic Huawei H35-211_V2.5 Exam Syllabus. We provide you update checks for 365 days after purchase for absolutely no cost.

The Huawei H35-211_V2.5 Exam covers a wide range of topics, including access network technologies, protocols, and standards, network devices and solutions, network security, and network management. Candidates will be required to demonstrate their ability to design, implement, and troubleshoot various access network scenarios, including wired and wireless networks, broadband access, and IP voice services.

Huawei H35-211_V2.5 (HCIP-Access V2.5) Certification Exam is a highly respected certification in the field of network access. HCIP-Access V2.5 certification is designed to validate the candidate's knowledge and skills in network access and to demonstrate their expertise in Huawei's access network solutions. HCIP-Access V2.5 certification provides an excellent opportunity for professionals to enhance their career prospects and demonstrate their commitment to their profession.

>>> H35-211_V2.5 Valid Test Bootcamp <<<

The best high pass-rate H35-211_V2.5 Exam Cram Materials: HCIP-Access V2.5 - DumpsTorrent

The H35-211_V2.5 exam questions are the ideal and recommended study material for quick and easiest HCIP-Access V2.5 (H35-211_V2.5) exam dumps preparation. The HCIP-Access V2.5 (H35-211_V2.5) practice questions are designed and verified by qualified and renowned Huawei Certification Exams trainers. They work closely and check all Huawei H35-211_V2.5 Exam Dumps step by step. They also ensure the best possible answer for all H35-211_V2.5 exam questions and strive hard to maintain the top standard of HCIP-Access V2.5 (H35-211_V2.5) exam dumps all the time.

Huawei H35-211_V2.5: HCIP-Access V2.5 is a professional certification exam designed for IT professionals who want to enhance their skills in access network technologies. H35-211_V2.5 Exam is intended to validate the knowledge, skills, and abilities required to configure, deploy, and troubleshoot access network devices and solutions, and it is a stepping stone towards the advanced Huawei Certified Network Professional (HCNP) certification.

Huawei HCIP-Access V2.5 Sample Questions (Q53-Q58):

NEW QUESTION # 53

Compared with Type C dual-homing protection, which of the following statements about Type C single-homing protection are correct?

- A. Protects important services such as enterprise and base station private line access services.
- B. If the OLT is faulty, services are interrupted.
- C. When the OLT or uplink of the OLT is faulty, services can be switched to the other OLT.
- D. The networking is simple, and the OLT and ONU management is simple.

Answer: B,D

NEW QUESTION # 54

The ascending wavelength of the (radio) 10G EPONE is?

- A. 1490nm
- B. 1310m (asymmetrical).
- C. 1270m (symmetrical).
- D. 1577nm

Answer: B,C

NEW QUESTION # 55

(Radio) 10G GPON system downlink wavelength is:

- A. 1577 nm
- B. 1270 nm
- C. 1310 nm
- D. 1490 nm

Answer: A

Explanation:

In Huawei's 10G GPON (Gigabit-capable Passive Optical Network) system, different optical wavelengths are used for upstream and downstream transmission to ensure bidirectional communication over a single fiber.

According to the ITU-T G.987.x series and Huawei's Access Network Technical Documentation, the wavelength plan for 10G GPON (XG-PON) is as follows:

Downstream (OLT # ONU): 1577 nm

Upstream (ONU # OLT): 1270 nm

This separation of wavelengths allows both transmission directions to occur simultaneously using WDM (Wavelength Division Multiplexing) on the same optical fiber, minimizing interference.

Huawei OLTs such as the MA5800 and EA5800 series follow this standard exactly - supporting 10G GPON (XG-PON) with downstream at 1577 nm and upstream at 1270 nm. Hence, the correct answer is 1577 nm.

References (Aligned with HCIP-Access V2.5 and Huawei Technical Sources):

HCIP-Access V2.5 Study Guide - "Huawei Campus Network Overview" Chapter, Section: PON Technology Overview Huawei 10G GPON (XG-PON) Technical White Paper ITU-T G.987.2: 10-Gigabit-capable Passive Optical Networks (XG-PON): Physical Media Dependent (PMD) Layer Specification Huawei MA5800 Product Description - 10G GPON Port Wavelength Specifications

NEW QUESTION # 56

(Multi-select) Query ppPoE simulation results on the MDU side as follows From the query results, it can be judged ()

- A. The service configuration of ppPoE users is normal
- B. The link between MDU tone setting and BRAS is ok
- C. PPPoE user account and authentication method are correct
- D. The MDU management IP is configured correctly

Answer: A,B,C

NEW QUESTION # 57

When the voice service is configured through the CLI, the system prompts that the MG interface fails. Which of the following are possible causes?

- A. Uplink fault
- B. The device is not grounded
- C. Parameter configuration error
- D. Server failure

Answer: A,C,D

NEW QUESTION # 58

.....

H35-211_V2.5 Reliable Exam Registration: https://www.dumpstorrent.com/H35-211_V2.5-exam-dumps-torrent.html

- Valid Test H35-211_V2.5 Vce Free H35-211_V2.5 Test Pdf Valid H35-211_V2.5 Exam Answers Open ➡ www.exam4labs.com enter ▷ H35-211_V2.5 ◁ and obtain a free download Latest H35-211_V2.5 Dumps Questions
- New H35-211_V2.5 Braindumps Ebook 🌟 H35-211_V2.5 Test Pdf H35-211_V2.5 Valid Study Plan Search for ➡ H35-211_V2.5 and download exam materials for free through ▶ www.pdfvce.com ◀ H35-211_V2.5 Exam Lab Questions
- Free PDF Quiz H35-211_V2.5 - HCIP-Access V2.5 -Valid Valid Test Bootcamp Search for (H35-211_V2.5) and download it for free immediately on ▶ www.exam4labs.com ◀ Valid H35-211_V2.5 Exam Answers
- Reliable H35-211_V2.5 Test Preparation ☒ Reliable H35-211_V2.5 Test Preparation Free H35-211_V2.5 Vce Dumps Search for H35-211_V2.5 on www.pdfvce.com immediately to obtain a free download H35-211_V2.5 PDF Question
- Valid H35-211_V2.5 Exam Answers Free H35-211_V2.5 Vce Dumps H35-211_V2.5 Reliable Test Price Search for “H35-211_V2.5” and download exam materials for free through [www.practicevce.com] H35-211_V2.5 Latest Exam Questions
- H35-211_V2.5 PDF Question Valid Test H35-211_V2.5 Vce Free Valid H35-211_V2.5 Test Answers Open website ▷ www.pdfvce.com ◁ and search for “H35-211_V2.5” for free download H35-211_V2.5 Exam Lab Questions
- H35-211_V2.5 PDF Question H35-211_V2.5 Test Pdf New H35-211_V2.5 Exam Fee ✓ Open ➡ www.dumpsquestion.com enter [H35-211_V2.5] and obtain a free download H35-211_V2.5 Test Pdf
- Latest H35-211_V2.5 Exam prep H35-211_V2.5 Latest Exam Camp H35-211_V2.5 Test Pdf Search for H35-211_V2.5 and easily obtain a free download on { www.pdfvce.com } New H35-211_V2.5 Braindumps Ebook
- Free PDF Quiz 2026 Huawei H35-211_V2.5 Updated Valid Test Bootcamp Search for ➤ H35-211_V2.5 and obtain a free download on “www.exam4labs.com” H35-211_V2.5 Valid Study Plan
- H35-211_V2.5 PDF Question H35-211_V2.5 Latest Exam Camp Valid Test H35-211_V2.5 Vce Free (www.pdfvce.com) is best website to obtain H35-211_V2.5 for free download New H35-211_V2.5 Braindumps

Ebook

- 100% Pass 2026 Huawei H35-211_V2.5: HCIP-Access V2.5 Perfect Valid Test Bootcamp □ Easily obtain (H35-211_V2.5) for free download through □ www.testkingpass.com □ □ Latest H35-211_V2.5 Dumps Questions
- rebeccaxao1924982.wikifiltraciones.com, bookmarkja.com, directmysocial.com, darrenawza223325.tblogs.com, jayadhxh335070.blogginaway.com, shaunawruu520841.wiki-racconti.com, brianbinu474208.lotrlegendswiki.com, siambookmark.com, www.notebook.ai, mysocialname.com, Disposable vapes

2026 Latest DumpsTorrent H35-211_V2.5 PDF Dumps and H35-211_V2.5 Exam Engine Free Share:
https://drive.google.com/open?id=1pQJail_EFqEJ8U71v_e9DighebaI0wi4