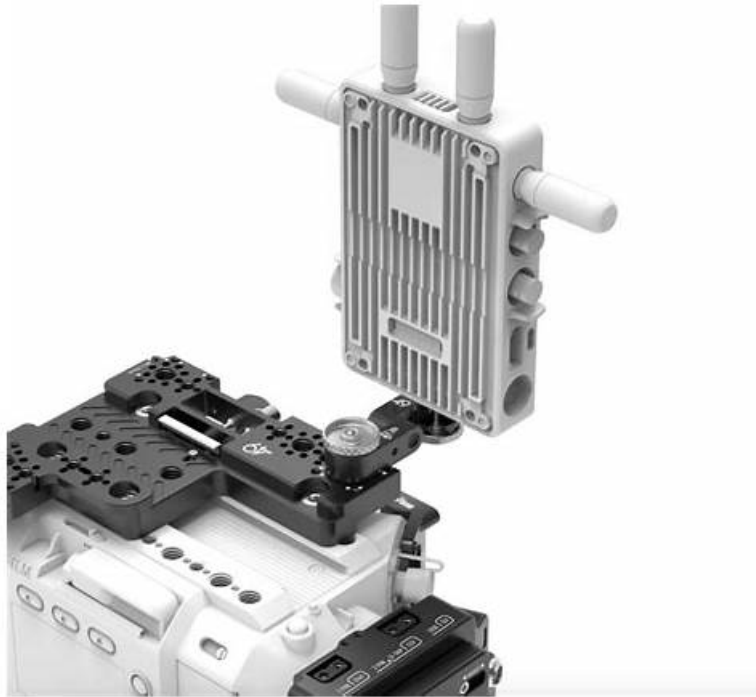


# 2026 H12-711\_V4.0–100% Free 100% Correct Answers | Accurate HCIA-Security V4.0 Valid Exam Blueprint



2026 Latest Pass4Test H12-711\_V4.0 PDF Dumps and H12-711\_V4.0 Exam Engine Free Share: <https://drive.google.com/open?id=1meALmJTzs2aZrSUo62TfEOIv65FYZJ0t>

Pass4Test HCIA-Security V4.0 (H12-711\_V4.0) self-evaluation tests serve as a call to action, guiding you on how to improve your performance before the Huawei H12-711\_V4.0 real exam. Pass4Test's HCIA-Security V4.0 (H12-711\_V4.0) web-based and desktop practice dumps also provide candidates with a realistic H12-711\_V4.0 Exam scenario, allowing them to experience the H12-711\_V4.0 actual exam situation and prepare accordingly. Our H12-711\_V4.0 practice questions offer an excellent opportunity to identify and practice the strategies that work best for you.

Huawei H12-711\_V4.0 (HCIA-Security V4.0) Certification Exam is a professional-level certification that focuses on the security of networks and IT systems. H12-711\_V4.0 exam is designed to assess the candidate's knowledge and skills in various security domains, such as network security, security management, and security technologies. HCIA-Security V4.0 certification is ideal for IT professionals who want to enhance their skills and knowledge in the field of security and become a certified HCIA-Security professional.

The HCIA-Security V4.0 certification exam covers a wide range of topics related to network security, including network security principles, firewall technology, intrusion prevention and detection, virtual private networks (VPNs), and security management. H12-711\_V4.0 Exam is designed for IT professionals who are responsible for designing, implementing, and managing network security systems in enterprise-level organizations. Candidates who pass the HCIA-Security V4.0 certification exam will have a deep understanding of network security concepts and will be able to apply this knowledge to secure their organization's network infrastructure. HCIA-Security V4.0 certification is highly valued in the industry and is a testament to the candidate's expertise in network security.

>> 100% H12-711\_V4.0 Correct Answers <<

## H12-711\_V4.0 Valid Exam Blueprint | Test H12-711\_V4.0 Question

Many people are afraid of walking out of their comfortable zones. So it is difficult for them to try new things. But you will never grow up if you reject new attempt. Now, our H12-711\_V4.0 study materials can help you have a positive change. It is important for you to keep a positive mind. Our H12-711\_V4.0 Study Materials can become your new attempt. It is not difficult for you. We have simplified all difficult knowledge. So you will enjoy learning our H12-711\_V4.0 study materials. During your practice of our H12-711\_V4.0 study materials, you will find that it is easy to make changes.

## Huawei HCIA-Security V4.0 Sample Questions (Q111-Q116):

### NEW QUESTION # 111

The administrator wants to know the current session table. Which of the following commands is correct?

- A. display firewall session table
- B. clear firewall session table
- C. reset firewall session table
- D. display session table

**Answer: C**

### NEW QUESTION # 112

Which layer of data packets does a packet filtering firewall check?

- A. Network layer
- B. Data link layer
- C. Physical layer
- D. Application layer

**Answer: A**

Explanation:

A packet filtering firewall mainly works by examining the header information of packets and making forwarding or blocking decisions based on predefined rules. Its inspection is primarily focused on the network layer, where it checks information such as the source IP address, destination IP address, protocol type, and related packet header fields. Because of this, the correct answer is Network layer.

Packet filtering firewalls can also use some transport-layer information such as TCP or UDP port numbers in practical policy matching, but their fundamental classification in traditional firewall technology is based on network-layer packet filtering rather than deep inspection of application content. They do not analyze user data in the same detailed way as application-layer gateways or next-generation firewalls.

The physical layer only deals with bit transmission and hardware signaling, so it is not the layer used for packet filtering decisions.

The data link layer focuses on MAC addresses and frame transmission within a local segment, while the application layer deals with application protocols such as HTTP, FTP, and DNS.

Therefore, for a packet filtering firewall, the correct layer checked is the Network layer.

### NEW QUESTION # 113

The trigger modes of the built-in Portal authentication in the firewall include pre-authentication and \_\_\_\_ authentication[fill in the blank]\*

- A. session
- B. Portal

**Answer: A**

### NEW QUESTION # 114

In addition to supporting built-in Portal authentication, the firewall also supports custom Portal authentication. When custom Portal authentication is used, there is no need to deploy an external Portal server separately.

- A. False
- B. True

**Answer: A**

### NEW QUESTION # 115

Which of the following attacks can be detected through intrusion prevention?

- A. Directory traversal
- B. Injection attack
- C. Buffer overflow attack
- D. Trojan horse

**Answer: A,B,C**

Explanation:

Intrusion Prevention (IPS) detects and blocks attacks primarily by analyzing traffic patterns and payload characteristics against known signatures, protocol anomalies, and behavioral rules. Many common application-layer exploits have recognizable request structures that IPS engines can match.

An injection attack (such as SQL injection or command injection) typically contains suspicious characters, keywords, and abnormal parameter patterns within application requests. IPS signatures can detect these malicious payload characteristics and either block the session or generate alarms. Directory traversal attacks also have distinct patterns, such as attempts to access unauthorized paths using sequences like ../ (or encoded variants). These are classic web-attack signatures commonly covered by IPS rule sets. Buffer overflow attacks often exploit protocol or application parsing weaknesses by sending overly long fields, malformed headers, or abnormal protocol sequences; IPS can detect these through signature matching and protocol anomaly detection.

A Trojan horse, however, is malware residing on an endpoint (often delivered via files, email attachments, downloads, or user execution). While some network security features (like antivirus/URL filtering/sandboxing) may detect Trojan delivery or command-and-control traffic, "Trojan horse" itself is not typically classified as an IPS-detected attack type in this context. Therefore, A, B, and C are correct.

## NEW QUESTION # 116

.....

We trounce many peers in this industry by our justifiably excellent H12-711\_V4.0 training guide and considerate services. So our H12-711\_V4.0 exam prep receives a tremendous ovation in market over twenty years. All these years, we have helped tens of thousands of exam candidates achieve success greatly. For all content of our H12-711\_V4.0 Learning Materials are strictly written and tested by our customers as well as the market. Come to try and you will be satisfied!

**H12-711\_V4.0 Valid Exam Blueprint:** [https://www.pass4test.com/H12-711\\_V4.0.html](https://www.pass4test.com/H12-711_V4.0.html)

- 2026 Reliable 100% H12-711\_V4.0 Correct Answers | HCIA-Security V4.0 100% Free Valid Exam Blueprint  Search for 「 H12-711\_V4.0 」 and easily obtain a free download on  [www.validtorrent.com](http://www.validtorrent.com)  H12-711\_V4.0 Exam Guide
- 2026 100% H12-711\_V4.0 Correct Answers | High-quality Huawei H12-711\_V4.0 Valid Exam Blueprint: HCIA-Security V4.0  Easily obtain free download of  H12-711\_V4.0  by searching on [ [www.pdfvce.com](http://www.pdfvce.com) ]  Exam H12-711\_V4.0 Score
- 100% Pass-Rate 100% H12-711\_V4.0 Correct Answers - Leading Provider in Qualification Exams - Marvelous H12-711\_V4.0 Valid Exam Blueprint  Search for [ H12-711\_V4.0 ] and download exam materials for free through  [www.practicevce.com](http://www.practicevce.com)  Test H12-711\_V4.0 Lab Questions
- H12-711\_V4.0 Reliable Braindumps Sheet  H12-711\_V4.0 Cert Exam  H12-711\_V4.0 Exam Guide  Easily obtain [ H12-711\_V4.0 ] for free download through 「 [www.pdfvce.com](http://www.pdfvce.com) 」  Valid H12-711\_V4.0 Test Pattern
- H12-711\_V4.0 Exam Dumps Demo  H12-711\_V4.0 Latest Study Questions  Latest H12-711\_V4.0 Test Question  Search for  H12-711\_V4.0  and download it for free on  [www.testkingpass.com](http://www.testkingpass.com)  website  H12-711\_V4.0 Questions Answers
- H12-711\_V4.0 – 100% Free 100% Correct Answers | Pass-Sure HCIA-Security V4.0 Valid Exam Blueprint  Search for  H12-711\_V4.0  on [ [www.pdfvce.com](http://www.pdfvce.com) ] immediately to obtain a free download  Exam H12-711\_V4.0 Simulator
- H12-711\_V4.0 Questions Answers  Latest H12-711\_V4.0 Test Question  H12-711\_V4.0 Pass Guide  Search for  H12-711\_V4.0  and easily obtain a free download on 「 [www.dumpsmaterials.com](http://www.dumpsmaterials.com) 」  H12-711\_V4.0 Cert Exam
- H12-711\_V4.0 Pass Guide  H12-711\_V4.0 Cert Exam  Latest H12-711\_V4.0 Test Question  Enter  [www.pdfvce.com](http://www.pdfvce.com)  and search for  H12-711\_V4.0  to download for free  Valid H12-711\_V4.0 Test Pattern
- 2026 100% H12-711\_V4.0 Correct Answers | High-quality Huawei H12-711\_V4.0 Valid Exam Blueprint: HCIA-Security V4.0  Immediately open  [www.prep4away.com](http://www.prep4away.com)  and search for  H12-711\_V4.0  to obtain a free download  H12-711\_V4.0 Test Topics Pdf
- 2026 100% H12-711\_V4.0 Correct Answers | High-quality Huawei H12-711\_V4.0 Valid Exam Blueprint: HCIA-Security V4.0  Go to website  [www.pdfvce.com](http://www.pdfvce.com)  open and search for  H12-711\_V4.0  to download for free  H12-711\_V4.0 Questions Answers
- 2026 100% H12-711\_V4.0 Correct Answers | High-quality Huawei H12-711\_V4.0 Valid Exam Blueprint: HCIA-Security V4.0  Search for  H12-711\_V4.0  and obtain a free download on  [www.prep4away.com](http://www.prep4away.com)  H12-711\_V4.0

