

300-615 Online Training & New 300-615 Test Sample



100% SATISFACTION GUARANTEED

EXPERT Training

CISCO

45+ Hours

Data Center Troubleshooting

VideoCourse

DOWNLOAD

DOWNLOAD the newest LatestCram 300-615 PDF dumps from Cloud Storage for free: <https://drive.google.com/open?id=1uPhT49WXnwnl2RsSfc7iJ0rNU8ZQa3pO>

Probably you've never imagined that preparing for your upcoming 300-615 exam could be so easy. The good news is that 300-615 test dumps have made it so! The brilliant 300-615 test dumps are the product created by those professionals who have extensive experience of designing exam study materials. These professionals have deep exposure of the test candidates' problems and requirements hence our 300-615 Test Dumps cater to your need beyond your expectations.

To prepare for the Cisco 300-615 Exam, candidates are recommended to have at least 3-5 years of experience working with Cisco data center technologies. They should also have a deep understanding of data center architecture, including design principles, protocols, and technologies. Additionally, candidates can take advantage of Cisco's training courses and study materials to ensure that they are fully prepared for the exam.

Professionals who pass the Cisco 300-615 certification exam demonstrate their ability to troubleshoot a wide range of data center infrastructure issues, including network connectivity problems, storage performance issues, server failures, and application-related issues. They are equipped with the skills and knowledge needed to analyze complex data center environments and identify the root cause of problems. Troubleshooting Cisco Data Center Infrastructure certification exam is ideal for network engineers, data center administrators, and support engineers who want to advance their careers and demonstrate their expertise in troubleshooting complex data center infrastructure solutions.

>> 300-615 Online Training <<

New 300-615 Test Sample - 300-615 Original Questions

Research indicates that the success of our highly-praised 300-615 test questions owes to our endless efforts for the easily operated practice system. Most feedback received from our candidates tell the truth that our 300-615 guide torrent implement good practices, systems. We educate our candidates with less complicated Q&A but more essential information. And our 300-615 Exam Dumps also add vivid examples and accurate charts to stimulate those exceptional cases you may be confronted with. You can rely on our 300-615 test questions, and we'll do the utmost to help you succeed.

Cisco 300-615 exam is part of the Cisco Certified Specialist – Data Center Operations track. It is a challenging exam that requires in-depth knowledge of data center technologies and protocols, as well as the capability to recognize and resolve issues quickly and

efficiently. The topics covered in 300-615 exam include troubleshooting modern data center complexities, identifying and resolving issues with Cisco NX-OS mode switches, troubleshooting Cisco ACI fabric infrastructure issues, and much more. 300-615 Exam is designed to ensure that candidates possess the necessary knowledge and skills to support complex data center systems.

Cisco Troubleshooting Cisco Data Center Infrastructure Sample Questions (Q71-Q76):

NEW QUESTION # 71

Refer to the exhibit.

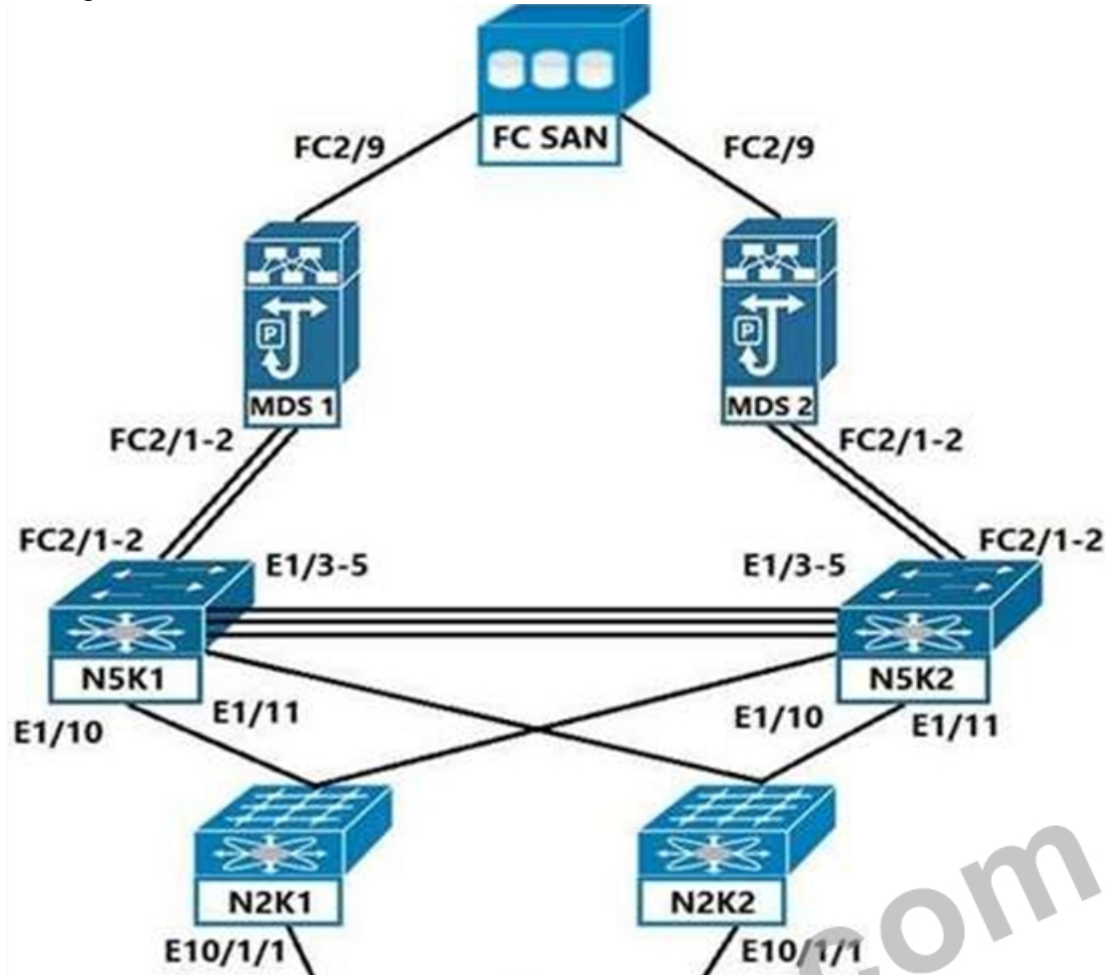
```
UCS-1-A# connect nxos
UCS-1-A(nx-os)# show flogi database
^
% Invalid command at '^' marker.
UCS-1-A(nx-os)#
```

An administrator directly connects a Fibre Channel storage array to ports 1 through 4 on a Cisco UCS 6454 Fabric Interconnect. The administrator configures a service profile to boot directly from the new Fibre Channel storage array, but the service profile fails to boot. When the administrator checks the output of the show flogi database command on the fabric interconnect, it shows the output presented in the exhibit. Which action resolves the issue?

- A. Configure the Zoning Type in vHBA Initiator Group as Multiple Initiator Multiple Target.
- B. Configure the fabric interconnects in Fibre Channel end-host mode
- C. Configure the Zoning Type in vHBA Initiator Group as Multiple Initiator Single Target.
- D. Configure the fabric interconnects in Fibre Channel switch mode.

Answer: D

NEW QUESTION # 72





```

N5K1 Config
feature fex
feature fcoe
vlan 10
vlan 1101
fcoe vsan 101
vsan database
vsan 101
interface fc2/1-2
switchport speed 2000
switchport mode E
switchport trunk
allowed vsan 101
no shutdown
!
interface Ethernet1/10
switchport mode fex-fabric
fex associate 101

interface Ethernet10/1/1
switchport mode trunk
switchport trunk native vlan 100
switchport trunk allowed vlan 1101
spanning-tree port type edge trunk
no shutdown
!
interface vfc111
bind interface Ethernet10/1/1
switchport trunk allowed vsan 101
no shutdown
!
vsan database
vsan 101 interface vfc111
!
zone default-zone permit vsan 101

```

Refer to the exhibits. An engineer troubleshoots switch N5K1, which fails to receive traffic from the file server. Which set of actions resolves this problem?

- A. Bind native VLAN 10 with Ethernet1/10 and allow VSAN 101 in trunk configuration.
- B. Assign native VLAN 10 with vfc111 and allow VLAN 1101 in trunk configuration.
- C. Bind native VLAN 10 with Ethernet10/1/1 and allow VLAN 10 in trunk configuration.
- D. Assign native VLAN 10 with fc2/1 - 2 and allow VLAN 10 in trunk configuration.

Answer: C

Explanation:

Section: Compute Platforms

NEW QUESTION # 73

Refer to the exhibit.

Cisco Integrated Management Controller

admin@192.168.101.25

Refresh | Host Power | Launch KVM | Ping | CIMC Reboot

General Physical Drives Virtual Drives FlexFlash Logs

Physical Drives

Physical Drives	Status	Controller	Card Type	Card Mode	Health	Sync Mode	Slot Number
SLOT-1	present	FlexFlash-0	FX3S configured	mirror-primary	healthy	manual	SLOT-1
SLOT-2	missing	FlexFlash-0	NA	NA	NA	NA	SLOT-2

Cisco Integrated Management Controller

admin@192.168.101.25

Refresh | Host Power | Launch KVM | Ping | CIMC Reboot

General Physical Drives Virtual Drives FlexFlash Logs

Virtual Drives

Disable Virtual Drives Sync Virtual Drive Erase Virtual Drive Add Image Update Image Unmap Image

Virtual Drive	ID	Drive Scope	Size	Drive Status	Host Accessible	Drive Type	Operation in Progress
<input type="checkbox"/> Hypervisor	1	Raid	30432 MB	Degraded	Connected	Removable	NA

During implementation of a Cisco UCS C-Series Server, an engineer receives the status that is shown in the exhibit. Which action resolves the issue.

- A. Configure the RAID that is associated with the card.
- B. Reconfigure the Drive Type from "Removable" to "Non-Removable"
- C. Set SLOT-1 Sync Mode to "Auto"
- D. Insert an SD card into SLOT-2

Answer: C

NEW QUESTION # 74

Drag and drop the commands from the left onto the correct categories on the right.

switch# run bash bash-4.2\$ vsh -c "configure terminal ; interface eth1/2; shutdown; sleep 2; show interface eth1/2 brief"	Will Run Successfully
switch# run bash bash-4.2\$ vsh -c "configure terminal interface eth1/2 shutdown sleep 2 show interface eth1/2 brief"	
switch# run bash sudo su bash-4.2\$ vsh -c "configure terminal ; interface eth1/2; shutdown; sleep 2; show interface eth1/2 brief"	Will Cause an Error
switch# run bash sudo su bash-4.2\$ vsh -c "configure terminal ; interface eth1/2; shutdown, sleep 2, show interface eth1/2 brief"	

Answer:

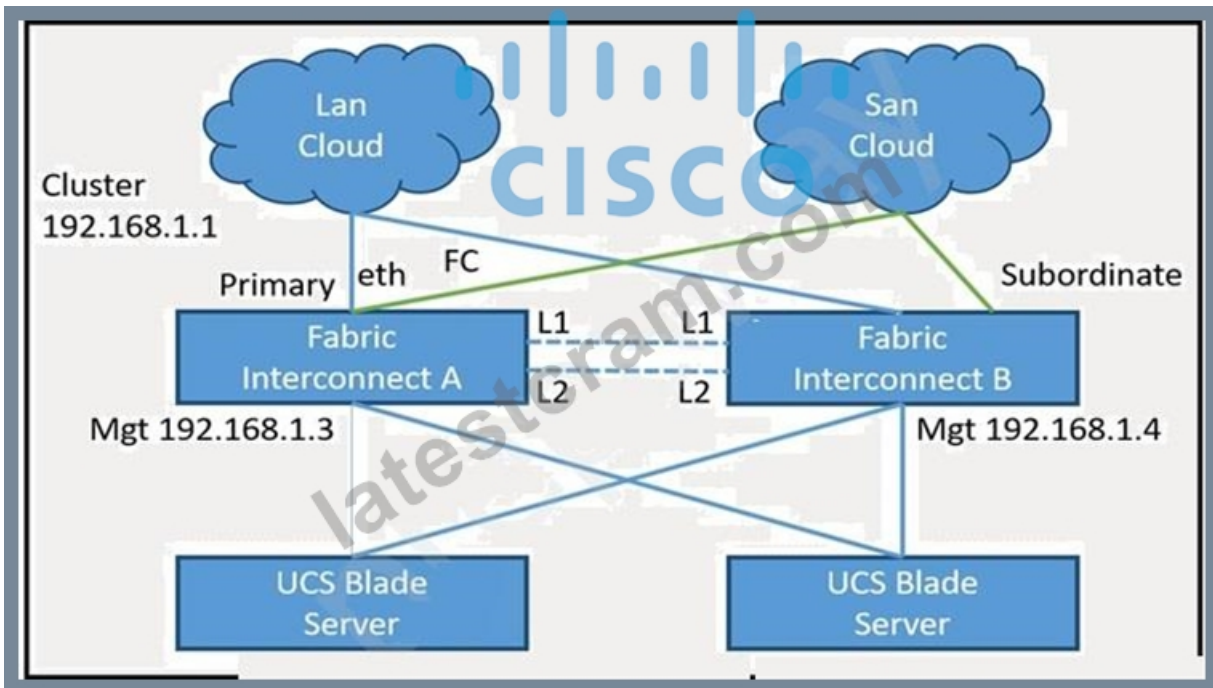
Explanation:

<pre>switch# run bash bash-4.2\$ vsh -c "configure terminal ; interface eth1/2; shutdown; sleep 2; show interface eth1/2 brief"</pre>	<p>Will Run Successfully</p> <pre>switch# run bash bash-4.2\$ vsh -c "configure terminal ; interface eth1/2; shutdown; sleep 2; show interface eth1/2 brief"</pre>
<pre>switch# run bash bash-4.2\$ vsh -c "configure terminal ; interface eth1/2 shutdown sleep 2 show interface eth1/2 brief"</pre>	<p>Will Run Successfully</p> <pre>switch# run bash sudo su bash-4.2\$ vsh -c "configure terminal ; interface eth1/2 shutdown; sleep 2; show interface eth1/2 brief"</pre>
<pre>switch# run bash sudo su bash-4.2\$ vsh -c "configure terminal ; interface eth1/2; shutdown; sleep 2; show interface eth1/2 brief"</pre>	<p>Will Cause an Error</p> <pre>switch# run bash bash-4.2\$ vsh -c "configure terminal ; interface eth1/2 shutdown sleep 2 show interface eth1/2 brief"</pre>
<pre>switch# run bash sudo su bash-4.2\$ vsh -c "configure terminal ; interface eth1/2; shutdown; sleep 2; show interface eth1/2 brief"</pre>	<p>Will Cause an Error</p> <pre>switch# run bash sudo su bash-4.2\$ vsh -c "configure terminal ; interface eth1/2; shutdown; sleep 2; show interface eth1/2 brief"</pre>

<p>Will Run Successfully</p> <pre>switch# run bash bash-4.2\$ vsh -c "configure terminal ; interface eth1/2; shutdown; sleep 2; show interface eth1/2 brief"</pre>
<pre>switch# run bash sudo su bash-4.2\$ vsh -c "configure terminal ; interface eth1/2; shutdown; sleep 2; show interface eth1/2 brief"</pre>
<p>Will Cause an Error</p> <pre>switch# run bash bash-4.2\$ vsh -c "configure terminal ; interface eth1/2 shutdown sleep 2 show interface eth1/2 brief"</pre>
<pre>switch# run bash sudo su bash-4.2\$ vsh -c "configure terminal ; interface eth1/2; shutdown; sleep 2; show interface eth1/2 brief"</pre>

NEW QUESTION # 75

Refer to the exhibit.



A network engineer finds one of the fabric interconnects offline when connecting L1 and L2 ports on both fabric interconnects. Which action resolves the issue?

- A. 1. Connect to Fabric Interconnect B.
2. Verify the cluster status and HA election.
3. Validate Fabric Interconnect B hardware issues.
- B. 1. Connect Fabric Interconnect B and change the role to primary.
2. Reboot Fabric Interconnect B.
3. Add the Fabric Interconnect A as subordinate fabric to the cluster.
- C. 1. Connect to Fabric Interconnect A.
2. Verify the cluster status and HA election.
3. Validate Fabric Interconnect A hardware issues.
- **D. 1. Connect Fabric Interconnect B and execute "Erase configuration"**
2. Reboot Fabric Interconnect B.
3. Add the subordinate Fabric Interconnect to the cluster.

Answer: D

Explanation:

The selected answer, 1. Connect Fabric Interconnect B and execute "Erase configuration" 2. Reboot Fabric Interconnect B. 3. Add the subordinate Fabric Interconnect to the cluster, follows Cisco UCS operational logic. UCS Manager is policy-driven, so troubleshooting must determine whether the problem is caused by hardware discovery, service profile association, firmware activation, boot order, storage presentation, or management integration. The scenario points to fabric interconnect; that is why the selected action fixes the root condition rather than merely restarting the server. The wrong options either affect a different policy, require unnecessary disruption, or assume that physical connectivity alone is sufficient. Cisco documentation for UCS server boot and firmware management stresses that boot policies must include the correct target details, firmware workflows must complete their FSM stages, and hardware changes often require acknowledgement or re-acknowledgement before UCS Manager uses the new inventory. After remediation, the engineer should confirm that the UCS fault is cleared, the server association or discovery state is complete, and the operating system or management service can use the intended path.

NEW QUESTION # 76

.....

New 300-615 Test Sample: <https://www.latestcram.com/300-615-exam-cram-questions.html>

- 300-615 Practice Test 300-615 Labs Examcollection 300-615 Vce Go to website www.prep4sures.top open and search for **【 300-615 】** to download for free Free 300-615 Sample
- Choosing The 300-615 Online Training, Congratulations For The Pass of Troubleshooting Cisco Data Center Infrastructure Search for [300-615] and easily obtain a free download on **➡** www.pdfvce.com 300-615 Trustworthy Practice
- 300-615 Latest Dumps Pdf 300-615 Certified Free 300-615 Sample Enter www.practicevce.com and search for 300-615 to download for free Reliable 300-615 Exam Test
- Choosing The 300-615 Online Training, Congratulations For The Pass of Troubleshooting Cisco Data Center Infrastructure Go to website **【 www.pdfvce.com 】** open and search for **> 300-615 <** to download for free 300-615 Braindump Free
- Exam Sample 300-615 Questions 300-615 Practice Test 300-615 Interactive EBook Search for “300-615 ” and download it for free on www.examcollectionpass.com website 300-615 Labs
- 300-615 Certified Exam Sample 300-615 Questions 300-615 Interactive EBook Easily obtain free download of **➡** 300-615 by searching on **▶** www.pdfvce.com 300-615 Valid Exam Question
- Verified Cisco 300-615 Online Training With Interarctive Test Engine - Efficient New 300-615 Test Sample Copy URL **▶** www.vce4dumps.com open and search for 300-615 to download for free 300-615 Latest Study Questions
- 300-615 Braindump Free 300-615 Interactive EBook 300-615 Latest Dumps Pdf Simply search for **【 300-615 】** for free download on www.pdfvce.com 300-615 Latest Dumps Pdf
- 300-615 Training Solutions 300-615 Training Solutions 300-615 Valid Exam Question Enter (www.dumpsmaterials.com) and search for [300-615] to download for free Reliable 300-615 Exam Test
- Free PDF Quiz 2026 Cisco Fantastic 300-615 Online Training Simply search for **▶ 300-615 <** for free download on [www.pdfvce.com] Free 300-615 Sample
- 300-615 Online Training - Quiz Realistic Cisco New Troubleshooting Cisco Data Center Infrastructure Test Sample Download **《 300-615 》** for free by simply searching on **▶** www.troytecdumps.com 300-615 Certified
- active-bookmarks.com, bookmarkfame.com, tiffanylixp333528.blogdosaga.com, nicolegrcx370762.blogcudinti.com, majadumv598741.blogpayz.com, thebookmarkking.com, bookmarksfocus.com, bookmarktiger.com, nelsonzfrmp505340.blog-ezine.com, nicolassatm596403.snack-blog.com, Disposable vapes

DOWNLOAD the newest LatestCram 300-615 PDF dumps from Cloud Storage for free: <https://drive.google.com/open?id=1uPhT49WXmwnl2RsSfc7i0rNU8ZQa3pO>