

# Useful New PMP Test Voucher Help You to Get Acquainted with Real PMP Exam Simulation



P.S. Free 2026 PMI PMP dumps are available on Google Drive shared by FreeCram: <https://drive.google.com/open?id=1Qg4MX0dbCpFCWBYk6nOMW4UukDRKX1W9>

Of course, when we review a qualifying exam, we can't be closed-door. We should pay attention to the new policies and information related to the test PMI certification. For the convenience of the users, the PMP study materials will be updated on the homepage and timely update the information related to the qualification examination. Annual qualification examination, although content broadly may be the same, but as the policy of each year, the corresponding examination pattern grading standards and hot spots will be changed, as a result, the PMP study materials can help users to spend the least time, you can know the test information directly what you care about on the learning platform that provided by us, let users save time and used their time in learning the new hot spot concerning about the knowledge content. It can be said that the PMP Study Materials greatly facilitates users, so that users cannot leave their homes to know the latest information. Trust us! I believe you will have a good experience when you use the PMP study materials, and you can get a good grade in the test PMI certification.

The Project Management Professional (PMP) certification is a globally recognized credential for project managers. It is offered by the Project Management Institute (PMI), which is the world's leading professional association for project management. The PMP Certification demonstrates that a project manager has the knowledge, skills, and experience required to lead and direct projects effectively.

>> **New PMP Test Voucher** <<

## Quiz 2026 Trustable PMI New PMP Test Voucher

We would like to benefit our customers from different countries who decide to choose our PMP study guide in the long run, so we cooperation with the leading experts in the field to renew and update our PMP study materials. We can assure you that you will get the latest version of our PMP Training Materials for free from our company in the whole year after payment. Do not miss the opportunity to buy the best PMP preparation questions in the international market which will also help you to advance with the times.

PMI PMP certification exam is a rigorous exam that requires significant preparation. Candidates must have a minimum of three years of project management experience, with at least 4,500 hours of leading and directing projects. Alternatively, candidates can have a bachelor's degree or higher with at least 35 hours of project management education and 3,000 hours of leading and directing projects. Candidates must also pass the PMP Certification Exam to obtain the PMP certification.

## PMI PMP - Project Management Professional (2026) Sample Questions (Q1566-Q1571):

**NEW QUESTION # 1566**

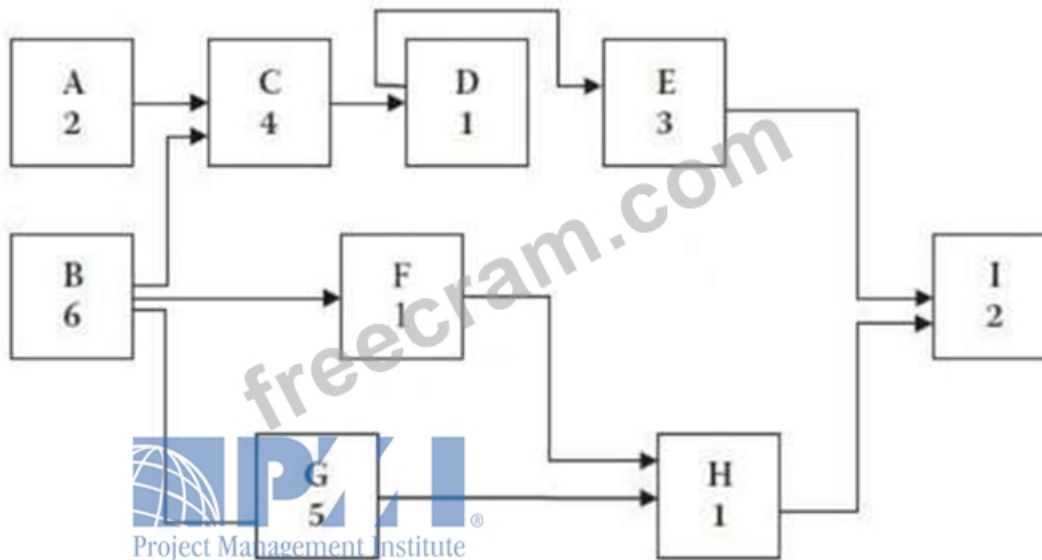
A team is the first team in the company to use agile methods for a traditional project. The team's manager is concerned that the risks are not being managed. What should the team do to assess and manage risks regularly?

- A. Focus on developing a working deliverable instead of documenting risks
- **B. Use regular feedback loops through daily standups iteration demos and retrospectives**
- C. Identify and escalate any identified risks to the facilitator to handle
- D. Update the risk register during every iteration with any open concerns

**Answer: B**

**NEW QUESTION # 1567**

Diagram



What is the float for Activity G?

- A. 0
- B. 1
- C. 2
- **D. 3**

**Answer: D**

Explanation:

Section: Mix Questions

Explanation:

Float = (late finish - early finish) or

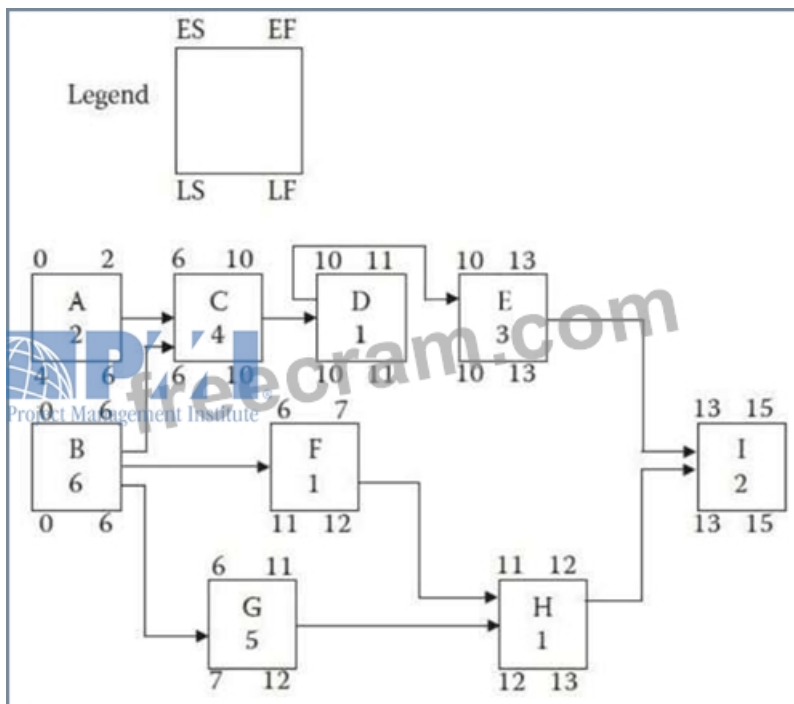
(Late start - early start)

Activity G LF = 12 (12 - 11) = (1)

EF = 11

LS = 7 (7 - 6) = (1)

ES = 6



#### NEW QUESTION # 1568

The project sponsor of a major initiative is consistently changing the prioritization of modular work packages. The team is used to three-week sprints and is becoming increasingly frustrated with the daily changes in scope.

>

What should the project manager do?

- A. Decrease the sprint cycle to the average re-prioritization request by calculating it in days
- B. Move to a Kanban strategy so that work can be reallocated more easily
- C. Set up a meeting with the project team and ask for their opinion on what to do
- **D. Set up a meeting with the sponsor to explain the importance of keeping a strict sprint cycle**

**Answer: D**

Explanation:

According to the PMBOK Guide, a sprint cycle is a time-boxed iteration of a fixed duration that delivers a potentially releasable product increment. A sprint cycle consists of four events: sprint planning, daily scrum, sprint review, and sprint retrospective. The purpose of a sprint cycle is to create a rhythm of work that allows the team to deliver value to the customer in a predictable and sustainable way.

The PMI Guide to Business Analysis states that one of the roles of a project manager is to manage stakeholder expectations and ensure alignment of project objectives with business needs. The project manager is also responsible for facilitating communication and collaboration among the project team and other stakeholders, as well as resolving conflicts and issues that may arise during the project.

Therefore, if the project sponsor is consistently changing the prioritization of modular work packages, the project manager should set up a meeting with the sponsor to explain the importance of keeping a strict sprint cycle. The project manager should:

Clarify the project scope and objectives, and how they are aligned with the business needs and the sponsor's vision. Explain the benefits of a sprint cycle, such as delivering value faster, improving quality, increasing feedback, and reducing risk. Highlight the challenges and risks of changing the scope frequently, such as disrupting the team's workflow, reducing their morale and motivation, increasing technical debt, and compromising the quality and usability of the product. Negotiate with the sponsor to establish a clear and stable prioritization criteria for the work packages, and agree on a process for managing changes and requests. Involve the project team and the product owner in the prioritization and planning process, and ensure their input and feedback are considered and valued. Document and communicate the agreed scope, priorities, and changes to all the stakeholders, and monitor and control the project performance and progress. By setting up a meeting with the sponsor to explain the importance of keeping a strict sprint cycle, the project manager can:

Build trust and rapport with the sponsor, and demonstrate their understanding and respect for the sponsor's perspective and needs. Educate the sponsor about the agile principles and practices, and how they can help achieve the project goals and deliver value to the customer. Influence the sponsor to adopt a more collaborative and flexible approach to the project, and to respect the team's autonomy and expertise. Minimize the impact of scope changes on the project schedule, budget, quality, and risk. Enhance the team's

morale and teamwork, and foster a positive and supportive work environment References:  
PMBOK Guide. (2017). Sixth edition. Newtown Square, PA: Project Management Institute.  
PMI Guide to Business Analysis. (2017). Newtown Square, PA: Project Management Institute.  
How to Manage Scope Creep in Agile Projects. (2023). ProjectManager.com  
How to Deal with Constantly Changing Requirements. (2023). Scrum.org

#### NEW QUESTION # 1569

A project manager is managing a digital transformation project that involves large-scale changes in the way teams conduct business across the company. Currently, the project is in the planning phase.

What should the project manager do before entering the execution phase?

- A. Send a company-wide email stating the importance of this project.
- **B. Identify and involve all stakeholders as early as possible in the project.**
- C. Update the communications management plan to reflect the importance of the project.
- D. Arrange a meeting with stakeholders to inform them about their project task assignments.

**Answer: B**

Explanation:

Section: Planning

#### NEW QUESTION # 1570

When deploying a project some users report an issue that only happens sometimes. The team does not know how to repetitively simulate the issue What should the project manager do next?

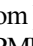
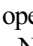


- A. Escalate the problem to management and seek extra resources for support.
- B. Update the issue log and assign a specialist to determine the root cause.
- **C. Communicate with the team define responsibilities, and update the issue log.**
- D. Wait and observe the statistical records to see if the problem is acceptable.

**Answer: C**

#### NEW QUESTION # 1571

.....

**Authorized PMP Exam Dumps:** <https://www.freecram.com/PMI-certification/PMP-exam-dumps.html>

- New Launch PMI PMP Exam Questions Are Out: Download And Prepare [2026]  Go to website { [www.prepawayexam.com](http://www.prepawayexam.com) } open and search for  PMP   to download for free  Latest PMP Test Report
- Free PDF Quiz PMI - PMP - Newest New PMP - Project Management Professional (2026) Test Voucher  Simply search for  PMP   for free download on  [www.pdfvce.com](http://www.pdfvce.com)  Accurate PMP Answers
- Latest PMP Test Report  Valid Braindumps PMP Ppt  Valid Braindumps PMP Ppt  Copy URL [ [www.practicevce.com](http://www.practicevce.com) ] open and search for  PMP  to download for free  Valid PMP Exam Dumps
- Here's the Easiest and Quick Way to Pass PMI PMP Exam  Search for  PMP   and download it for free on  **【** [www.pdfvce.com](http://www.pdfvce.com)  website  PMP Valid Exam Review
- 2026 New PMP Test Voucher - Realistic Authorized PMP - Project Management Professional (2026) Exam Dumps Pass Guaranteed Quiz  Download [ PMP ] for free by simply searching on  [www.exam4labs.com](http://www.exam4labs.com)   Reliable PMP Test Vce
- Valid PMP Exam Simulator - PMP Test Engine - PMP Study Material   [www.pdfvce.com](http://www.pdfvce.com)  is best website to obtain { PMP } for free download  PMP Exam Preview
- Test PMP Dumps Demo  PMP Reliable Test Topics  PMP Reliable Test Topics  Open  **【** [www.practicevce.com](http://www.practicevce.com)   and search for  PMP  to download exam materials for free  Accurate PMP Answers
- PMP High Quality  PMP Actual Dump   PMP Actual Dump  Open website  [www.pdfvce.com](http://www.pdfvce.com)  and search for "PMP" for free download  PMP Exam Preview
- 2026 Perfect PMI PMP: New PMP - Project Management Professional (2026) Test Voucher  The page for free download of { PMP } on " [www.practicevce.com](http://www.practicevce.com) " will open immediately  PMP High Quality
- Accurate PMP Answers  New PMP Dumps Ebook  Reliable PMP Test Vce   [www.pdfvce.com](http://www.pdfvce.com)  is best

website to obtain > PMP ☐ for free download ↘PMP Dumps Questions

- PMP Exam Preview ☐ PMP Latest Braindumps Questions ☐ PMP Reliable Test Topics ☐ Search for ➔ PMP ☐☐☐ on ☐ [www.exam4labs.com](http://www.exam4labs.com) ☐ immediately to obtain a free download ☐PMP Latest Braindumps Questions
- [hassangcuz410568.mycoolwiki.com](http://hassangcuz410568.mycoolwiki.com), [aishantxh327613.atualblog.com](http://aishantxh327613.atualblog.com), [kobiwsv1132586.smblogsites.com](http://kobiwsv1132586.smblogsites.com), [incomepuzzle.com](http://incomepuzzle.com), [heathuln348918.wikiconversation.com](http://heathuln348918.wikiconversation.com), [francesyxrt018346.wikikali.com](http://francesyxrt018346.wikikali.com), [jeanhaoc641910.blogthisbiz.com](http://jeanhaoc641910.blogthisbiz.com), [bookmarkfavors.com](http://bookmarkfavors.com), [darrenhia503730.blog-kids.com](http://darrenhia503730.blog-kids.com), [guideyoursocial.com](http://guideyoursocial.com), Disposable vapes

BONUS!!! Download part of FreeCram PMP dumps for free: <https://drive.google.com/open?id=1Qg4MX0dbCpFCWBYk6nOMW4UukDRKX1W9>