

# Request Your Sample Materials of 300-425



yourinfo@emailaddress.com | 222 555 7777

www.Template.net

## Request Letter for Materials

March 9, 2055

Mr. John Doe  
Purchasing Manager  
ABC Supply Co.  
1234 Elm Street  
New York, NY 10012

Dear Mr. Doe,

I hope this message finds you well. I am writing on behalf of [Your Company Name] to request the supply of materials as detailed below. We need these items to complete our ongoing projects and ensure timely delivery to our clients.

Materials Required:

- UltraSpeed X1 Processors
  - Quantity: 100 units
  - Specifications: 3.5 GHz, Quad-Core, 8MB Cache
  - Delivery Location: 58th Maple Avenue, Suite 200, New York, NY 10011
- HyperRAM 32GB Modules
  - Quantity: 50 units
  - Specifications: DDR4, 3200 MHz, CL16
  - Delivery Location: 58th Maple Avenue, Suite 200, New York, NY 10011
- RapidSSD 1TB Drives
  - Quantity: 75 units
  - Specifications: NVMe, M.2 2280, Read/Write Speed: 3500/3000 MB/s
  - Delivery Location: 5678 58th Maple Avenue, Suite 200, New York, NY 10011

Preferred Delivery Date: March 20, 2055

We kindly request that you provide us with a quote for the above materials at your earliest convenience. Additionally, please confirm the availability of these items and any lead time

DOWNLOAD the newest ExamcollectionPass 300-425 PDF dumps from Cloud Storage for free: <https://drive.google.com/open?id=167vkC30BxA8eBrNrjHyJeoI-5cNAPSZI>

Our Cisco 300-425 Exam Dumps with the highest quality which consists of all of the key points required for the Cisco 300-425 exam can really be considered as the royal road to learning. ExamcollectionPass has already become a famous brand all over the world in this field since we have engaged in compiling the 300-425 practice materials for more than ten years and have got a fruitful outcome.

Cisco 300-425 Exam consists of 60-70 multiple-choice and simulation questions that must be completed in 90 minutes. 300-425 exam is administered by Pearson VUE and can be taken online or at a test center. Candidates who pass the exam will receive the Cisco Certified Specialist - Enterprise Wireless Design certification, which is recognized globally as a mark of excellence in wireless networking.

>> **New 300-425 Test Notes** <<

## 300-425 Reliable Study Plan - 300-425 Exam Objectives Pdf

Windows, Mac, iOS, Android, and Linux support this 300-425 practice exam. The desktop Designing Cisco Enterprise Wireless Networks (300-425) practice test software is similar to the web-based 300-425 format as far as its features are concerned. But it works offline only on the Windows operating system. The offline 300-425 Practice Exam can be taken easily just by just installing the software on your Windows laptop or computer. All three Designing Cisco Enterprise Wireless Networks (300-425) formats of

ExamcollectionPass are according to the latest content of the Cisco 300-425 examination.

## What is a Cisco 300-425 Certification

CCENT is the entry-level certification for individuals with knowledge in networking. This exam teaches all the basic concepts in networking that an individual who wants to enter into the field of networking needs to learn. This test lasts three hours and there are eighty questions in the test as well as a fifteen-minute break between each section of questionnaires. To pass this certification, one must have passed previous versions of CCNA or CCNP certifications with an overall score of at least 620/1000 or 70% marks on both tests.

The Cisco 300-425 Certification Exam is a professional certification that is essential for individuals seeking entry-level jobs in the networking industry. The exam consists of questions regarding IT fundamentals, Linux commands, and networking topics. Individuals who pass the exam are qualified to work as network support personnel and can help others with their computer issues.

## Cisco Designing Cisco Enterprise Wireless Networks Sample Questions (Q65-Q70):

### NEW QUESTION # 65

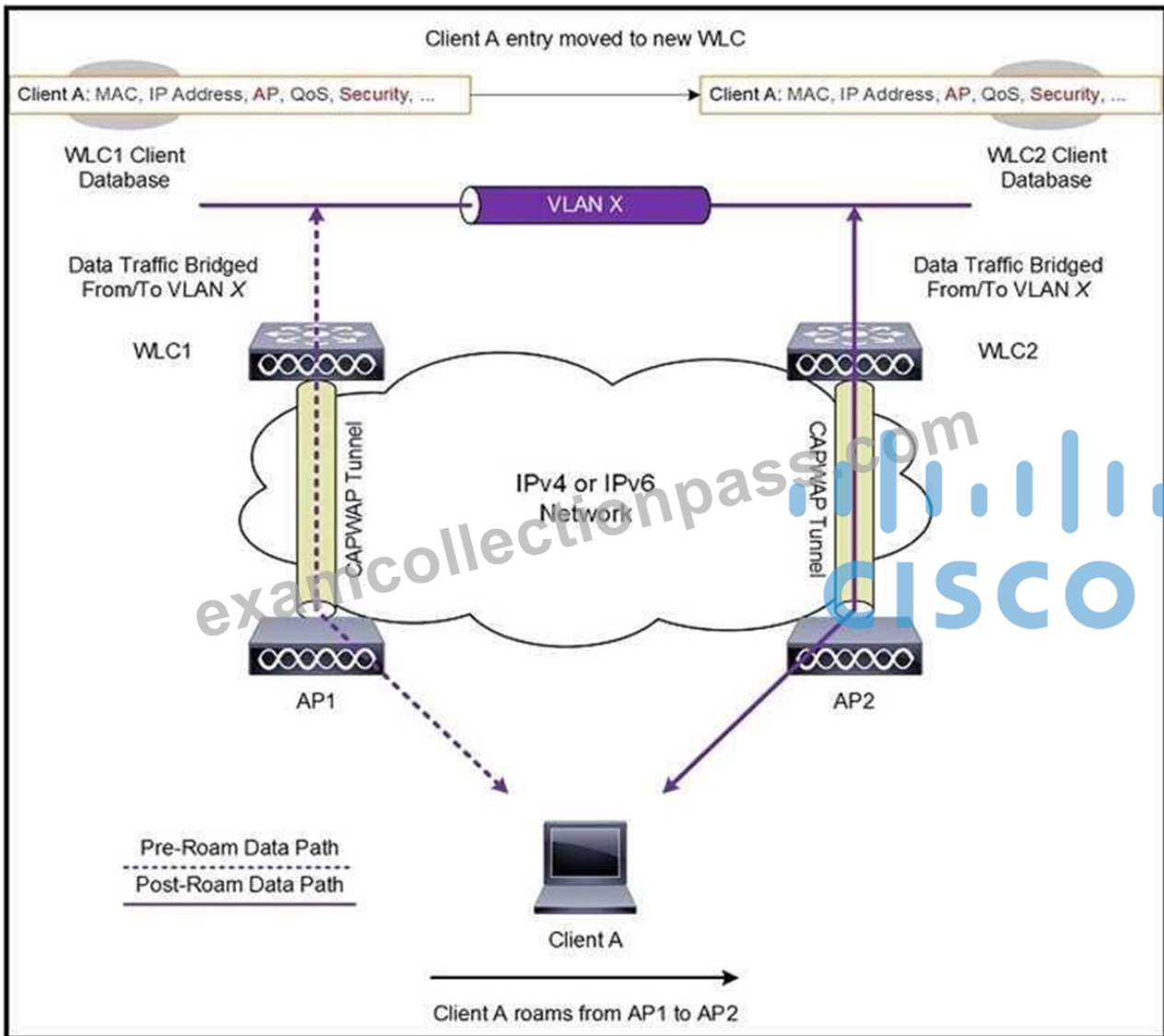
A wireless engineer is hired to design a network for a technology company. The company campus has four buildings and a warehouse with access points that provide full wireless coverage as well as a pair of WLCs located in the core of the network. Which type of wireless architecture is being used?

- A. centralized deployment
- B. unified deployment
- C. autonomous deployment
- D. distributed deployment

**Answer: A**

### NEW QUESTION # 66

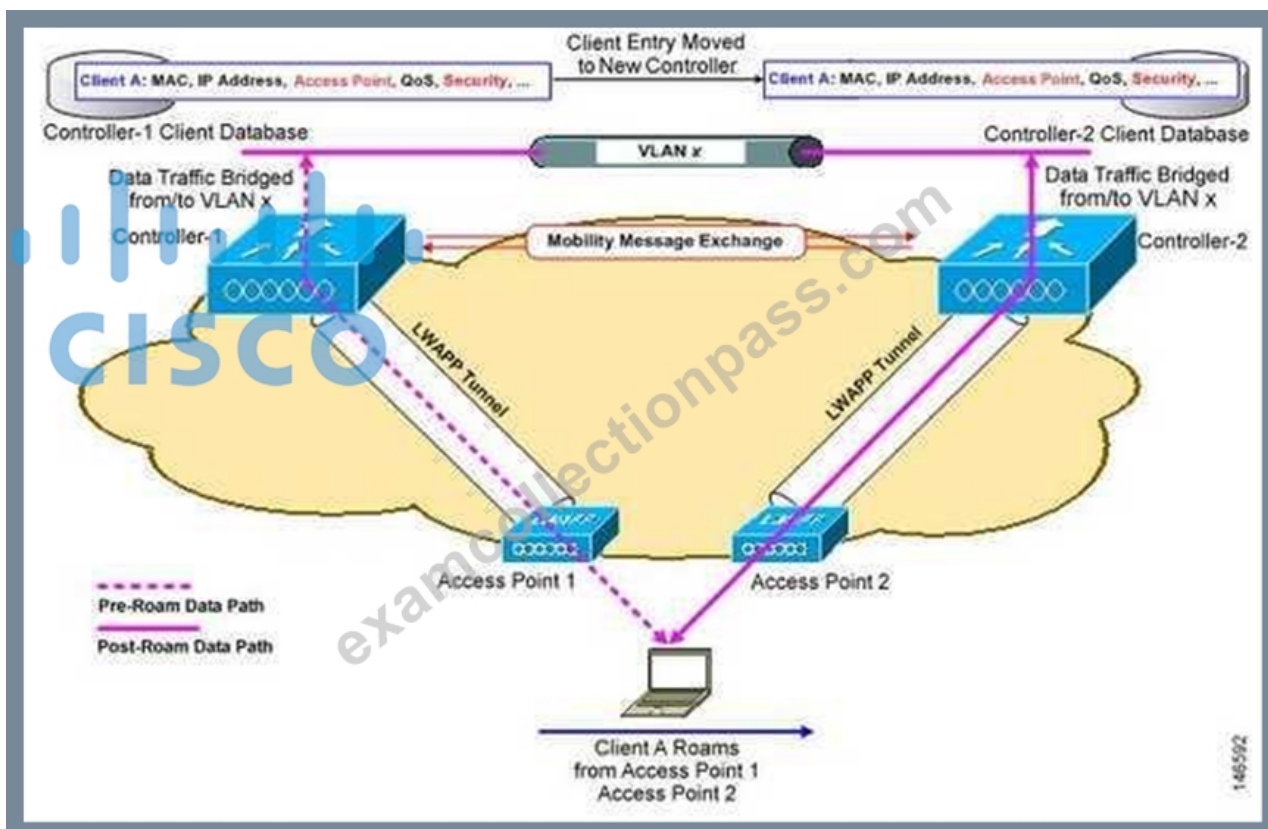
Refer to the exhibit. A client roams between two APs that are registered to two different controllers, where each controller has an interface in the client subnet. Both controllers are running AireOS. Which scenario explains the client roaming behavior?



- A. Controllers exchange mobility control messages (over UDP port 16666) and the client database entry is tunneled from the original controller to the new controller.
- B. Controllers do not exchange mobility control messages (over UDP port 16666) and the client database, entry is not moved from the original controller to the new controller.
- C. Controllers exchange mobility control messages (over UDP port 16666) and the client database entry is moved from the original controller to the new controller.
- D. Controllers exchange mobility control messages (over UDP port 16666) and a new client session is started with the new controller.

**Answer: C**

Explanation:



In this instance controllers exchange mobility control messages (Cisco for UDP port 16666) and the client database entry is moved from the original controller to the new controller.

#### NEW QUESTION # 67

An engineer must perform an assessment of a customer LAN for a future IEEE 802.11ac Wave 2 wireless deployment. All access switches are Fast Ethernet-Capable only, and the wired infrastructure between existing APs and access switches is based on the CAT 6A standard. Which two actions provide maximum support of Cisco 3800 Series access points? (Choose two.)

- A. Replace the existing wiring infrastructure with the CAT-7E wiring standard,
- B. Replace the existing switches with mGig switches.
- C. Replace the existing switches with gigabit switches with 10G uplinks.
- D. Ensure that cable distances between access switches and APs are not longer than 100 meters.
- E. Ensure that cable distances between access switches and APs are not longer than 55 meters.

Answer: B,D

#### NEW QUESTION # 68

A customer is concerned about mesh backhaul link security. Which level of encryption does the backhaul link use?

- A. hash
- B. AES
- C. 3DES
- D. WEP

Answer: B

Explanation:

In a Cisco wireless backhaul network, traffic can be bridged between MAPs and RAPs. This traffic can be from wired devices that are being bridged by the wireless mesh or CAPWAP traffic from the mesh access points. This traffic is always AES encrypted when it crosses a wireless mesh link such as a wireless backhaul.

### NEW QUESTION # 69

A high-density wireless network is designed. Which Cisco WLC configuration setting must be incorporated in the design to encourage clients to use the 5 GHz spectrum?

- A. Cisco Centralized Key Management
- **B. Band Select**
- C. RRM
- D. load balancing

**Answer: B**

Explanation:



### NEW QUESTION # 70

.....

**300-425 Reliable Study Plan:** <https://www.examcollectionpass.com/Cisco/300-425-practice-exam-dumps.html>

- 300-425 Test Prep Like the Real Exam Questions Can Help You Pass 300-425 Exam - [www.prepawayexam.com](http://www.prepawayexam.com) □ Open ➔ [www.prepawayexam.com](http://www.prepawayexam.com) □ enter [ 300-425 ] and obtain a free download □ Testing 300-425 Center
- Reliable 300-425 Exam Testking □ 300-425 Dump □ 300-425 Valid Dumps Questions □ Search for [ 300-425 ] and download it for free on [ [www.pdfvce.com](http://www.pdfvce.com) ] website □ Valid 300-425 Test Sims
- [www.verifieddumps.com](http://www.verifieddumps.com) Cisco 300-425 Exam Dumps and Practice Test Software □ Easily obtain free download of [ 300-425 ] by searching on ☀ [www.verifieddumps.com](http://www.verifieddumps.com) □ ☀ □ 300-425 Dump
- Latest 300-425 Exam Practice □ Reliable 300-425 Test Price □ Latest 300-425 Test Answers □ Easily obtain free download of □ 300-425 □ by searching on ( [www.pdfvce.com](http://www.pdfvce.com) ) □ 300-425 Valid Exam Dumps
- 300-425 Dump □ 300-425 Valid Exam Cost □ 300-425 Test Dumps □ □ [www.dumpsmaterials.com](http://www.dumpsmaterials.com) □ is best website to obtain 「 300-425 」 for free download □ Exam 300-425 Introduction
- 300-425 Valid Test Fee □ Sample 300-425 Exam □ Testing 300-425 Center □ The page for free download of > 300-425 □ on ➔ [www.pdfvce.com](http://www.pdfvce.com) □ will open immediately □ 300-425 Valid Dumps Questions
- Quiz The Best 300-425 - New Designing Cisco Enterprise Wireless Networks Test Notes □ Open > [www.practicevce.com](http://www.practicevce.com) □ and search for □ 300-425 □ to download exam materials for free □ Sample 300-425 Exam
- Real Cisco 300-425 Exam Questions [2023]-Secret To Pass Exam In First Attempt ➔ □ Open “ [www.pdfvce.com](http://www.pdfvce.com) ” enter ➔ 300-425 □ □ □ and obtain a free download □ 300-425 Real Sheets
- 300-425 Test Prep Like the Real Exam Questions Can Help You Pass 300-425 Exam - [www.examcollectionpass.com](http://www.examcollectionpass.com) □ Open □ [www.examcollectionpass.com](http://www.examcollectionpass.com) □ and search for ( 300-425 ) to download exam materials for free □ Latest 300-425 Exam Practice
- TOP New 300-425 Test Notes - The Best Cisco Designing Cisco Enterprise Wireless Networks - 300-425 Reliable Study Plan □ Immediately open □ [www.pdfvce.com](http://www.pdfvce.com) □ and search for ▶ 300-425 ◀ to obtain a free download □ 300-425 Valid Dumps Questions
- 300-425 Valid Exam Dumps □ 300-425 Valid Exam Dumps □ 300-425 Valid Exam Cost □ Search on ⇒ [www.troytecdumps.com](http://www.troytecdumps.com) ⇐ for □ 300-425 □ to obtain exam materials for free download □ Exam 300-425 Introduction
- [sirketlist.com](http://sirketlist.com), [socialwebconsult.com](http://socialwebconsult.com), [shaniaoenj902114.tnpwiki.com](http://shaniaoenj902114.tnpwiki.com), [philipsvew757980.bloggazza.com](http://philipsvew757980.bloggazza.com), [minibookmarks.com](http://minibookmarks.com), [zakariaqaig852318.estate-blog.com](http://zakariaqaig852318.estate-blog.com), [bookmarkspy.com](http://bookmarkspy.com), [sahilshfu496946.life3dblog.com](http://sahilshfu496946.life3dblog.com), [safiyauwwr990961.blgwiki.com](http://safiyauwwr990961.blgwiki.com), [bookmarkshome.com](http://bookmarkshome.com), Disposable vapes

P.S. Free & New 300-425 dumps are available on Google Drive shared by ExamcollectionPass: <https://drive.google.com/open?id=167vkC30BxA8eBrNjHyJeoI-5cNAPSZI>