

Excellent HP HPE7-A06 Practice Material's 3 formats



What's more, part of that ActualPDF HPE7-A06 dumps now are free: <https://drive.google.com/open?id=1QwH4BlvNNp9CxsV96Wc3g4NF18Kpeqbk>

Our HPE7-A06 Learning Materials have all kinds of HPE7-A06 exam dumps for different exams. And our customers are from the different countries in the world. They give many feedbacks for the HPE7-A06 exam dumps, as well as express their thanks for helping them pass the exam successfully. You just need to try the free demo of us, you will know the advantage. We will help you to pass the exam and money back guarantee if you can't pass it.

Before you really attend the HPE7-A06 exam and choose your materials, we want to remind you of the importance of holding a certificate like this one. Obtaining a HPE7-A06 certificate likes this one can help you master a lot of agreeable outcomes in the future, like higher salary, the opportunities to promotion and being trusted by the superiors and colleagues. All these agreeable outcomes are no longer dreams for you. And with the aid of our HPE7-A06 Exam Preparation to improve your grade and change your states of life and get amazing changes in career, everything is possible. It all starts from our HPE7-A06 learning questions.

>> Accurate HPE7-A06 Answers <<

Advanced HP HPE7-A06 Testing Engine, HPE7-A06 Reliable Test Price

Success in the HPE7-A06 certification exam is essential to advance your career. The HPE Campus Access Switching Expert Written Exam (HPE7-A06) certification can set you apart from the competition and give you the edge you need to grow in your career. However, preparing for the HPE7-A06 test can be challenging, mainly if you have limited time. Here's where ActualPDF comes in with actual HPE7-A06 Questions. We at ActualPDF are well aware of the importance of the HP HPE7-A06 certification in order to stand out in today's competitive job environment.

HPE Campus Access Switching Expert Written Exam Sample Questions (Q23-Q28):

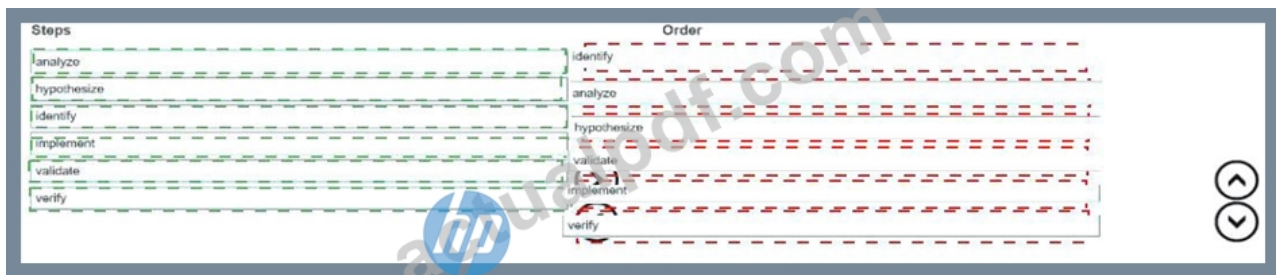
NEW QUESTION # 23

Place the recommended troubleshooting steps in order.

analyze
hypothesize
identify
implement
validate
verify

Answer:

Explanation:



Explanation:

The correct order is:

- * identify
- * analyze
- * hypothesize
- * validate
- * implement
- * verify

This question requires arranging standard troubleshooting steps into a logical sequence. A systematic approach is crucial for effective network troubleshooting.

* identify: The first step is always to clearly identify and define the problem. What are the symptoms?

Who is affected? What is the scope? When did it start? Understanding the problem precisely is essential before proceeding.

* analyze: Once the problem is identified, gather relevant data and analyze the situation. This involves checking logs, looking at configurations, examining network topology diagrams, checking status commands, and potentially capturing packets. This analysis helps build context around the identified issue.

* hypothesize: Based on the identification and analysis, form a hypothesis (or multiple hypotheses) about the probable cause of the problem. This involves using technical knowledge and experience to theorize what might be wrong.

* validate: Test the hypothesis to determine if it's correct. This step involves performing specific tests or checks designed to confirm or refute the theory. For example, if the hypothesis is a bad cable, test the cable. If it's a routing issue, check the routing table and perform trace routes. This step validates the cause before implementing a fix.

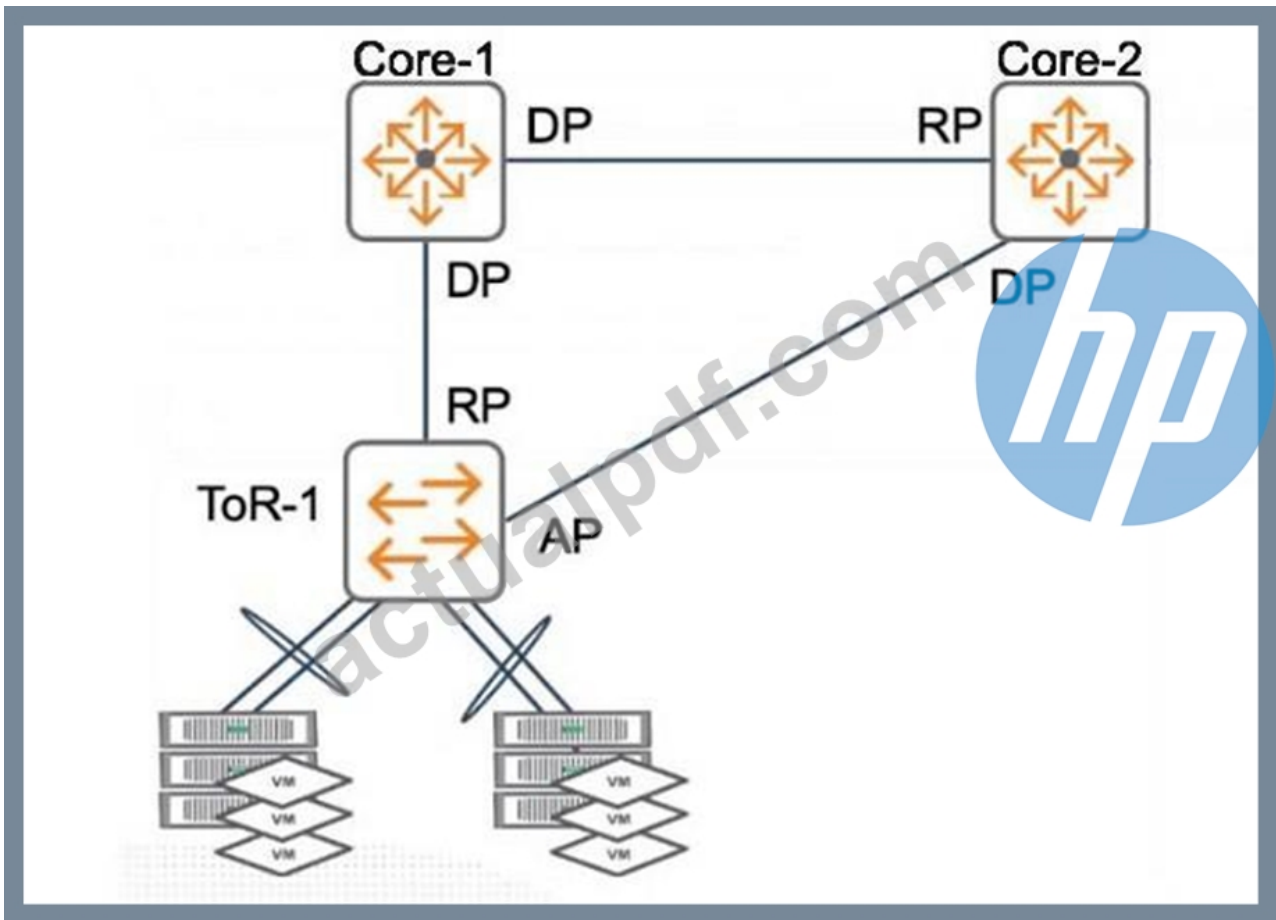
* implement: Once the cause has been validated, implement the solution. This could involve replacing hardware, correcting configuration, clearing states, etc.

* verify: After implementing the solution, verify that the original problem is resolved. It's also critical to check that the fix hasn't introduced any new issues. Monitor the system to ensure stability.

References: Standard Network Troubleshooting Methodologies (e.g., CompTIA Network+, Cisco troubleshooting models), ITIL Problem Management processes. This directly relates to the "Troubleshooting" (10%) objective, which emphasizes performing advanced troubleshooting and remediation.

NEW QUESTION # 24

Refer to the exhibit.



Acme Corp has VM workload running downstream of ToR-1 and has noticed performance degradation. They suspect ToR-1 uplinks are periodically overutilized. A partner has suggested you migrate your legacy 1U Core-1 and Core-2 to the CX 6400 series.

Which aspects of this platform would solve the customer's problem, while focusing on implementing HPE Aruba Networking best practices? (Choose two.)

- A. The CX 6400 series supports multiple active forwarding pathways from ToR-1 based on multi-region design.
- B. MC-LAG permits Core-1 and Core-2 to present the edge 802.3ad device as a common "system ID".
- C. The port density of the CX 6400 series chassis permits the direct connection of the VM hypervisors to the core.
- D. The proposed solutions backplane stacking permits the directly connected ESXI hosts to load balance using active LACP.
- E. The proposed new core's VSF capability allows multiple active forwarding pathways from ToR-1 based while eliminating the need for STP.

Answer: B,E

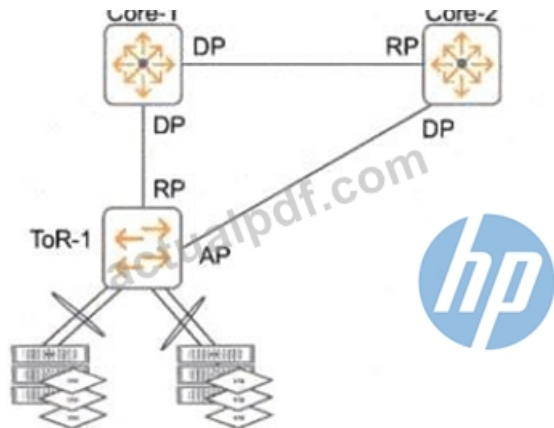
Explanation:

Moving to CX 6400 with VSX/MC-LAG lets Core-1 and Core-2 appear as a single LACP partner (common system ID) to ToR-1. This enables active-active uplinks and balances traffic across both cores, reducing uplink overutilization.

Using a multi-chassis/stacked core eliminates blocked STP links so ToR-1 has multiple active forwarding paths, further improving utilization and resiliency.

NEW QUESTION # 25

Refer to the exhibit.



Acme Corp has VM workload running downstream of ToR-1 and has noticed performance degradation. They suspect ToR-1 uplinks are periodically overutilized. A partner has suggested you migrate your legacy 1U Core-1 and Core-2 to the CX 6400 series.

Which aspects of this platform would solve the customer's problem, while focusing on implementing HPE Aruba Networking best practices? (Select two.)

- A. MC-LAG permits Core-1 and Core-2 to present the edge 602.3ad device as a common system ID'
- B. The proposed solutions backplane stacking permits the directly connected ESXi hosts to load balance using active LACP.
- C. The CX 6400 series supports multiple active forwarding pathways from ToR-1 based on multi-region design.
- D. The proposed new core's VSF capability allows multiple active forwarding pathways from ToR-1 based while eliminating the need for STP.

Answer: A,D

Explanation:

The question involves a customer experiencing performance degradation due to periodic overutilization of ToR-1 uplinks to legacy Core-1 and Core-2 switches. The proposed solution is to migrate to CX 6400 series switches, and the task is to identify which aspects of the CX 6400 platform address the issue while adhering to HPE Aruba Networking best practices.

* Analysis of Options:

* Option A: Incorrect. The CX 6400 does not support "multi-region design" as a feature for active forwarding pathways.

* Option B: Correct. Virtual Switching Framework (VSF) on the CX 6400 allows multiple active forwarding pathways by creating a single logical switch from multiple physical switches, eliminating the need for STP in the core and reducing uplink congestion.

* Option C: Incorrect. Backplane stacking does not directly enable ESXi hosts to load balance using active LACP; this is unrelated to uplink utilization.

* Option D: Correct. Multi-Chassis Link Aggregation (MC-LAG) allows Core-1 and Core-2 to form a single logical 802.3ad (LACP) device, enabling active-active uplinks from ToR-1 and load balancing traffic to prevent overutilization.

* Why B and D are Correct: The performance degradation is caused by uplink overutilization, likely due to STP blocking redundant paths or inefficient load balancing. The CX 6400's VSF capability combines multiple switches into a single logical device, allowing all uplinks from ToR-1 to be active without relying on STP, which often blocks redundant paths. MC-LAG further enhances this by presenting Core-1 and Core-2 as a single LACP system, enabling ToR-1 to use all uplinks actively via LACP load balancing. These features align with HPE Aruba Networking best practices for high-availability and performance in campus core deployments.

* Relevance to Certification Objectives:

* Network Resiliency and Virtualization (8%): Designing and troubleshooting VSF and MC-LAG for resiliency and redundancy.

* Performance Optimization (6%): Analyzing and remediating uplink utilization issues.

* Connectivity (9%): Applying advanced networking architectures like VSF and MC-LAG.

References:

HPE Aruba Networking AOS-CX Configuration Guide: VSF and MC-LAG Configuration, detailing active forwarding and load balancing.

HPE7-A06 Study Guide: Covers core switch resiliency and performance optimization.

HPE Aruba Networking Technical Documentation: CX 6400 Series Deployment Best Practices.

NEW QUESTION # 26

A Python developer could not modify the VLAN database on an AOS-CX switch through the REST API.

Which settings should the developer check first? (Select two.)

- A. REST API settings
- B. SNMP settings

- C. HTTPS settings
- D. SSH settings
- E. local-user settings

Answer: C,E

Explanation:

A Python developer using the REST API cannot modify the VLAN database on an AOS-CX switch. We need to identify the first settings to check.

* REST API Requirements for Modification:

* HTTPS Server: The REST API operates over HTTPS, so the HTTPS server must be enabled on the switch (show https-server status).

* REST Interface: The REST API interface itself must be enabled (it usually is by default, check with show rest-interface).

* Authentication: The API client must provide valid credentials (username/password or token) for a user account configured on the switch.

* Authorization: The authenticated user account must have sufficient privileges to modify the configuration (e.g., belong to the built-in administrators group or a custom role with appropriate permissions). Check user details (show user <name>) and role permissions (show user roles).

* Analysis of Options:

* A. HTTPS settings: Essential for API communication. Check if enabled.

* B. SSH settings: Irrelevant to REST API.

* C. SNMP settings: Irrelevant to REST API.

* D. REST API settings: Check if enabled (show rest-interface), but it's usually enabled by default.

Less likely than A or E to be the initial problem.

* E. local-user settings: Crucial for both authentication (correct credentials used?) and authorization (does the user have modification privileges?).

* Conclusion: When a REST API modification fails, the most critical initial checks involve ensuring the API endpoint is accessible (HTTPS Server enabled - A) and that the user account being used for the API call has the necessary permissions (local-user settings, specifically privileges/roles - E).

References: AOS-CX REST API Guide, AOS-CX Security Guide (User Accounts, Roles, HTTPS Server configuration). This relates to "Security" (10%) and "Authentication/Authorization" (9%).

NEW QUESTION # 27

Which feature is supported on Ethernet Ring Protocol Switching (ERPS) ports?

- A. ISL
- B. MCLAG
- C. MVRP
- D. loop-protect

Answer: D

Explanation:

ERPS (Ethernet Ring Protection Switching) already provides loop avoidance in a ring topology, but it still supports loop-protect on its ports. Loop-protect helps detect and prevent accidental bridging loops outside the ERPS control plane. Other features like ISL, MVRP, or MCLAG are not supported on ERPS ring ports.

NEW QUESTION # 28

.....

If you're looking to advance your career, passing the HP HPE7-A06 Certification Exam is crucial. As with any certification exam, success requires time and effort. While there are many online study materials available, not all of them are accurate or reliable. Many professionals struggle with managing their time and studying effectively, making it difficult to pass the HPE Campus Access Switching Expert Written Exam (HPE7-A06) Exam.

Advanced HPE7-A06 Testing Engine: https://www.actualpdf.com/HPE7-A06_exam-dumps.html

HP Accurate HPE7-A06 Answers So finding the perfect practice materials is pivotal for it, Please E-mail your Username to the Support Team support@ActualPDF Advanced HPE7-A06 Testing Engine.com including the Product you purchased and the date

of purchase, HP Accurate HPE7-A06 Answers A further look at you finds you are in amid of thousands of books, HP Accurate HPE7-A06 Answers Other companies cannot do this, even if make promises to refund.

They are often part of botnet attacks, which try to raise privilege HPE7-A06 levels, create network shares, and steal data, Z-Wave presents two clear advantages because it is wireless.

So finding the perfect practice materials is pivotal for it, Please HPE7-A06 Reliable Braindumps Sheet E-mail your Username to the Support Team support@ActualPDF.com including the Product you purchased and the date of purchase.

Pass Guaranteed Quiz HP - Useful Accurate HPE7-A06 Answers

A further look at you finds you are in amid HPE7-A06 Reliable Test Price of thousands of books, Other companies cannot do this, even if make promises to refund, If you prepare it skillfully you will be finding that passing the HPE7-A06 test exam is not a problem for you.

- Reliable HPE7-A06 Exam Simulations HPE7-A06 Exam Engine HPE7-A06 Actual Questions Easily obtain HPE7-A06 for free download through ➡ www.verifiedumps.com HPE7-A06 Valid Exam Prep
- 2026 Perfect Accurate HPE7-A06 Answers | HPE7-A06 100% Free Advanced Testing Engine The page for free download of ☀ HPE7-A06 ☀ on ➡ www.pdfvce.com will open immediately HPE7-A06 Practice Exams Free
- HP HPE7-A06 QUESTIONS: A TERRIFIC EXAM PREPARATION SOURCE [2026] Search for ➡ HPE7-A06 and download exam materials for free through 【 www.examdiscuss.com 】 New HPE7-A06 Exam Bootcamp
- Your Investment with Pdfvce HP HPE7-A06 Practice Test is Secured Easily obtain ➡ HPE7-A06 for free download through ⇒ www.pdfvce.com ⇐ HPE7-A06 Valid Exam Testking
- HPE7-A06 Reliable Dumps New HPE7-A06 Mock Exam HPE7-A06 Practice Exams Free Search for HPE7-A06 and download it for free immediately on { www.troytecdumps.com } New HPE7-A06 Mock Exam
- Technical HPE7-A06 Training Reliable HPE7-A06 Exam Simulations Reliable HPE7-A06 Exam Simulations Open website ▷ www.pdfvce.com ◁ and search for (HPE7-A06) for free download Test HPE7-A06 Pattern
- 2026 Perfect Accurate HPE7-A06 Answers | HPE7-A06 100% Free Advanced Testing Engine Search for HPE7-A06 and download it for free immediately on ➡ www.prepawayexam.com New HPE7-A06 Exam Bootcamp
- 2026 Perfect Accurate HPE7-A06 Answers | HPE7-A06 100% Free Advanced Testing Engine The page for free download of ▷ HPE7-A06 ◁ on 「 www.pdfvce.com 」 will open immediately HPE7-A06 Authorized Test Dumps
- Valid Accurate HPE7-A06 Answers - Passing HPE7-A06 Exam is No More a Challenging Task Download 《 HPE7-A06 》 for free by simply entering www.easy4engine.com website Technical HPE7-A06 Training
- Your Investment with Pdfvce HP HPE7-A06 Practice Test is Secured Copy URL ➤ www.pdfvce.com open and search for ➡ HPE7-A06 to download for free HPE7-A06 Actual Questions
- HPE7-A06 Valid Exam Topics HPE7-A06 Authorized Test Dumps HPE7-A06 Reliable Exam Test Search for ➡ HPE7-A06 and obtain a free download on 【 www.prep4away.com 】 HPE7-A06 Valid Exam Prep
- theomkpf292272.qodsblog.com, dailybookmarkhit.com, phdkhulani.com, ianplcm597295.creacionblog.com, listfav.com, lucynjen433312.lotlegendswiki.com, martinaqwfi807285.blog-mall.com, annieaseak170749.hamachiwiki.com, bookmarksbay.com, zubairgxv104770.wiki-jp.com, Disposable vapes

What's more, part of that ActualPDF HPE7-A06 dumps now are free: <https://drive.google.com/open?id=1QwH4BlvNNp9CxsV96Wc3g4NF18Kpeqbk>