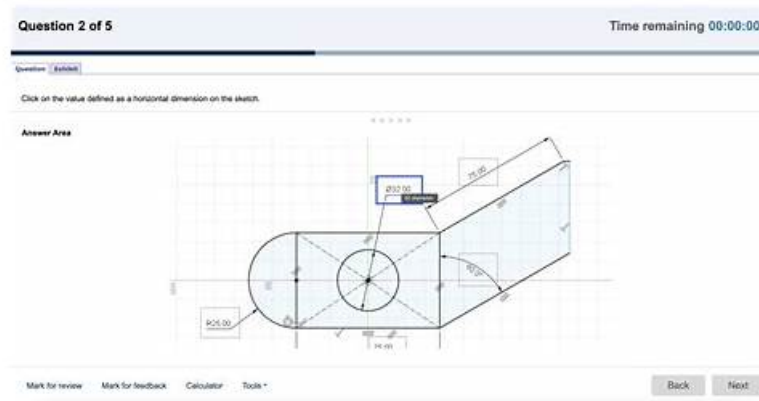


Test CAD Question & Valid CAD Test Book



P.S. Free & New CAD dumps are available on Google Drive shared by Pass4training: https://drive.google.com/open?id=1xC7EfM5p1hWchFNIU8F3m_HT7n3vFXDZ

Pass4training regularly updates Certified Application Developer-ServiceNow (CAD) practice exam material to ensure that it keeps in line with the test. In the same way, Pass4training provides a free demo before you purchase so that you may know the quality of the CAD dumps. Similarly, the ServiceNow CAD practice test creates an actual exam scenario on each and every step so that you may be well prepared before your actual CAD examination time. Hence, it saves you time and money. Pass4training provides three months of free updates if you purchase the ServiceNow CAD questions and the content of the examination changes after that.

ServiceNow CAD (Certified Application Developer-ServiceNow) certification exam is a valuable credential for professionals who want to demonstrate their expertise in developing applications on the ServiceNow platform. The ServiceNow platform is a cloud-based platform that helps organizations manage digital workflows and automate business processes. The CAD Certification Exam is designed to test the skills and knowledge of developers who want to build custom applications on the ServiceNow platform.

>> Test CAD Question <<

ServiceNow - Reliable CAD - Test Certified Application Developer-ServiceNow Question

Now it is wise choice for you to choose our CAD actual test guide materials. Valid exam questions help you study and prepare double results with half works. You will get high-quality 100% pass rate CAD learning prep so that you can master the key knowledge and clear exam easily. You can Pass CAD Exam in the shortest time and obtain a certification soon. It will benefit you more. Instead of admiring others' redoubtable life, start your new life from choosing valid test dumps. Our CAD actual test guide is the pass king in this field which will be the best option for you.

ServiceNow's Certified Application Developer program is a great way for those interested in developing their ServiceNow skills to validate their knowledge and become more competitive in the job market. The program's most significant benefit is the certification that participants receive after successfully completing the ServiceNow CAD certification exam. Certified Application Developer-ServiceNow certification attests to a participant's knowledge of ServiceNow and provides them with globally recognized recognition that distinguishes them from other practitioners. Certified Application Developer-ServiceNow certification is also beneficial for companies looking to hire ServiceNow developers, as it provides a way for them to identify and evaluate qualified candidates.

ServiceNow CAD (Certified Application Developer-ServiceNow) Exam is a certification exam for professionals who want to become certified developers on the ServiceNow platform. CAD exam is designed to test a candidate's knowledge and skills in developing and customizing applications on ServiceNow. CAD exam covers a wide range of topics including application development, scripting, UI customization, and integration with other systems. Passing CAD exam signifies that a candidate has demonstrated proficiency in developing and customizing applications on the ServiceNow platform.

ServiceNow Certified Application Developer-ServiceNow Sample Questions (Q93-Q98):

NEW QUESTION # 93

When configuring a REST Message, the Endpoint is:

- A. The URI of the data to be accessed, queried, or modified
- B. The commands to the REST script to stop execution
- C. Information about the format of the returned data
- D. The response from the provider indicating there is no data to send back

Answer: A

Explanation:

When configuring a REST Message, the Endpoint is:

* The URI of the data to be accessed, queried, or modified. This is the correct answer because the Endpoint is the part of the REST Message that specifies the location and the resource of the REST provider. The Endpoint is composed of the base URL and the resource path, which can include query parameters or variables. For example, the Endpoint for a REST Message that retrieves the weather information for a city from a web service could be <https://api.openweathermap.org/data/2.5/weather?q=London>.

The following are not correct definitions of the Endpoint when configuring a REST Message:

* The commands to the REST script to stop execution. This is not correct because the commands to the REST script to stop execution are not part of the REST Message, but of the Scripted REST API, which is a feature that allows users to create custom REST endpoints on the ServiceNow platform. The commands to the REST script to stop execution are methods of the RESTAPIResponse object, such as `setStatusCode`, `setError`, or `complete`.

* Information about the format of the returned data. This is not correct because the information about the format of the returned data is not part of the Endpoint, but of the HTTP headers or the Accept field of the REST Message. The HTTP headers or the Accept field can be used to specify the content type of the response, such as JSON, XML, or HTML.

* The response from the provider indicating there is no data to send back. This is not correct because the response from the provider indicating there is no data to send back is not part of the Endpoint, but of the HTTP status code or the response body of the REST Message. The HTTP status code or the response body can be used to indicate the result of the REST request, such as 200 OK, 404 Not Found, or 500 Internal Server Error. References: REST Messages, Scripted REST APIs

NEW QUESTION # 94

Which Application Access configuration field(s) are NOT available if the Can read configuration field is NOT selected?

- A. Can read does not affect the availability of other Application Access fields
- B. Allow configuration
- C. All access to this table via web services
- D. Can create, Can update, and Can delete

Answer: D

Explanation:

"You must first select read access to grant any other API record operation." https://docs.servicenow.com/bundle/tokyo-application-development/page/build/applications/reference/r_TableApplicationAccessFields.html The Application Access configuration fields control the access level for an application and its tables. The following Application Access configuration fields are not available if the Can read configuration field is not selected:

Can create. This field determines whether users can create records on the application tables.

Can update. This field determines whether users can update records on the application tables.

Can delete. This field determines whether users can delete records on the application tables.

These fields are not available because they depend on the Can read field, which determines whether users can view records on the application tables. If users cannot read records, they cannot create, update, or delete them either.

The following Application Access configuration fields are available regardless of the Can read configuration field:

All access to this table via web services. This field determines whether users can access the application tables using web services, such as REST or SOAP.

Allow configuration. This field determines whether users can configure the application tables, such as adding or modifying fields, views, or indexes. References: Application Access, Certified Application Developer (CAD) Learning Path

NEW QUESTION # 95

(What is a scoped application that contains Flow Designer actions tailored for a specific application or record type?)

- A. Spoke

- B. Action
- C. Flow
- D. Bundle

Answer: A

Explanation:

In Flow Designer, the unit that packages a set of related, reusable automation capabilities for a particular integration or application area is called a Spoke. A spoke is a scoped application that contains prebuilt actions, subflows, and supporting components designed to work together for a specific system, application, or record type. This structure helps developers and implementers reuse automation logic without rebuilding the same steps repeatedly, and it provides a governed way to distribute automation content. An Action is an individual reusable operation inside Flow Designer, not the container application. A Flow is an automation definition that runs based on a trigger, not a package of actions. "Bundle" is not the standard Flow Designer packaging term for these scoped sets of actions. Therefore, the correct scoped application type that contains tailored actions is a Spoke.

NEW QUESTION # 96

How must Application Access be configured to prevent all other private application scopes from creating configuration records on an application's data tables?

- **A. You must create Access Controls to prevent all other application scopes from creating configuration records on an application's data tables rather than using Application Access**
- B. Set the Accessible from field value to All application scopes and de-select the Can create option
- C. Set the Accessible from field value to This application scope only and de-select the Allow access to this table via web services option
- D. Set the Accessible from field value to This application scope only

Answer: A

NEW QUESTION # 97

When configuring the content of an Email Notification, which syntax should be used to reference the properties of an event triggering the Notification?

- A. `{property name}.getDisplayValue()`
- B. `{gs.<property name>}`
- C. `{current.<property name>}`
- **D. `{event.<property name>}`**

Answer: D

Explanation:

<https://www.servicenow.com/community/it-service-management-forum/email-notification/m-p/695221>

NEW QUESTION # 98

.....

Valid CAD Test Book: <https://www.pass4training.com/CAD-pass-exam-training.html>

- Realistic Test CAD Question - Easy and Guaranteed CAD Exam Success Open website [www.testkingpass.com] and search for ▷ CAD ◁ for free download Complete CAD Exam Dumps
- Premium CAD Files 📁 Premium CAD Files Test CAD Quiz Search for 《 CAD 》 and easily obtain a free download on 《 www.pdfvce.com 》 CAD Real Testing Environment
- New CAD Test Cram Test CAD Dumps Free CAD Study Reference Open 【 www.examdiscuss.com 】 and search for ⇒ CAD ⇐ to download exam materials for free CAD Pass Guarantee
- CAD Test Dumps.zip Exam CAD Vce ↖ CAD Valid Test Format Search for ► CAD ◻ and easily obtain a free download on ➡ www.pdfvce.com CAD Reliable Test Tips
- CAD exam dumps and ServiceNow CAD exam Simulator ♣ Open ➡ www.pdfdumps.com enter 🌟 CAD ◻🌟 and obtain a free download CAD Pdf Torrent
- Test CAD Quiz Premium CAD Files Complete CAD Exam Dumps Open ➡ www.pdfvce.com enter {

CAD } and obtain a free download ✓ □ CAD Valid Practice Questions

- Premium CAD Files □ New CAD Test Cram □ CAD Reliable Test Tips □ Search for ▶ CAD ◀ and obtain a free download on □ www.prepawayexam.com □ □ CAD Valid Exam Cram
- 100% Pdfvce CAD Practice Questions get Pass □ The page for free download of ▶ CAD ◀ on > www.pdfvce.com □ will open immediately ♥ CAD Related Exams
- CAD Exam Simulator Online □ CAD Test Dumps.zip □ CAD Test Dumps.zip □ Search for { CAD } and obtain a free download on ➡ www.prepawayexam.com □ □ CAD Related Exams
- 100% Pdfvce CAD Practice Questions get Pass □ Search for ➡ CAD □□□ and download exam materials for free through [www.pdfvce.com] □ CAD Study Reference
- How ServiceNow CAD Exam Questions Can Help You in Preparation? □ Simply search for ➡ CAD □ for free download on ✨ www.vce4dumps.com □ ✨ □ □ CAD Study Reference
- bookmarkangaroo.com, letterboxd.com, mollyotzs927016.creacionblog.com, nanalbd351249.bloguerosa.com, sahilcguj655058.wikifrontier.com, iwanebet047410.wikirecognition.com, privatebookmark.com, nanniektkx026728.blogaritma.com, ammarmwsc941164.actoblog.com, bookmarkahref.com, Disposable vapes

What's more, part of that Pass4training CAD dumps now are free: https://drive.google.com/open?id=1xC7EfM5p1hWchFNIU8F3m_HT7n3vfXDZ