

Pass Guaranteed Cisco - 300-615 - Perfect Troubleshooting Cisco Data Center Infrastructure Exam Vce



100% SATISFACTION GUARANTEED

EXPERT Training

CISCO

45+ Hours

Data Center Troubleshooting

VideoCourse

DOWNLOAD

BONUS!!! Download part of VCEPrep 300-615 dumps for free: <https://drive.google.com/open?id=1mjs1riFKxgfnOzRelTm5BOJVWk4KwrA>

Our 300-615 preparation exam is compiled specially for it with all contents like exam questions and answers from the real 300-615 exam. If you make up your mind of our 300-615 exam prep, we will serve many benefits like failing the first time attached with full refund service, protecting your interests against any kinds of loss. In a word, you have nothing to worry about with our 300-615 Study Guide.

Cisco Data Center Infrastructure is a crucial aspect of any modern enterprise, and as such, it requires professionals with in-depth knowledge of the technology and the ability to troubleshoot and manage complex systems. The Cisco 300-615 (Troubleshooting Cisco Data Center Infrastructure) certification exam is designed to test the knowledge and skills of IT professionals in this area. 300-615 exam is intended for those who have experience with Cisco Data Center technologies and are looking to enhance their skills in troubleshooting and managing complex systems.

Cisco 300-615 Exam, also known as Troubleshooting Cisco Data Center Infrastructure exam, is designed for IT professionals who work in a data center environment and are responsible for troubleshooting complex infrastructure issues. 300-615 exam validates the knowledge and skills required to identify, isolate, and correct issues related to Cisco data center technologies, including Cisco Application Centric Infrastructure (ACI), Cisco NX-OS, and Cisco Unified Computing System (UCS).

>> 300-615 Exam Vce <<

Pass Guaranteed Pass-Sure 300-615 - Troubleshooting Cisco Data Center Infrastructure Exam Vce

How our 300-615 study questions can help you successfully pass your coming 300-615 exam? The answer lies in the outstanding 300-615 exam materials prepared by our best industry professionals and tested by our faithful clients. Our exam materials own the most authentic and useful information in questions and answers. For our 300-615 practice material have been designed based on the

format of real exam questions and answers that you would surely find better than the other exam vendors'.

Cisco 300-615 is an exam that is designed to assess the knowledge and skills of the candidates in troubleshooting Cisco data center infrastructure. It is one of the popular exams offered by Cisco and is a certification exam for the CCNP Data Center certification. 300-615 Exam is ideal for network administrators, network engineers, and other IT professionals who work with data center infrastructure.

Cisco Troubleshooting Cisco Data Center Infrastructure Sample Questions (Q89-Q94):

NEW QUESTION # 89

Refer to the exhibit. Which result of the REST API configuration on a Cisco APIC is true?

```
$APIC_Address/api/policymgr/mo/.xml
<polUni>
  <fabricInst>
    <fabricOOServicePol>
      <fabricRsOosPath
tDn="topology/pod-1/paths-$LEAF_Id/pathep-[eth1/49]"
lc="blacklist" status="deleted" />
    </fabricOOServicePol>
  </fabricInst>
</polUni>
$LEAF_Address/api/node/mo/topology/pod-1/node-
$LEAF_Id/sys/action.xml
<actionLSubj oDn="sys/phys-[eth1/49]">
<l1EthIfSetInServiceLTask adminSt='start' />
</actionLSubj>
```

- A. It recovers a disconnected leaf
- B. It recovers a disconnected APIC node
- C. It recovers a disconnected Spine
- D. It deletes a leaf switch from eth1/49

Answer: A

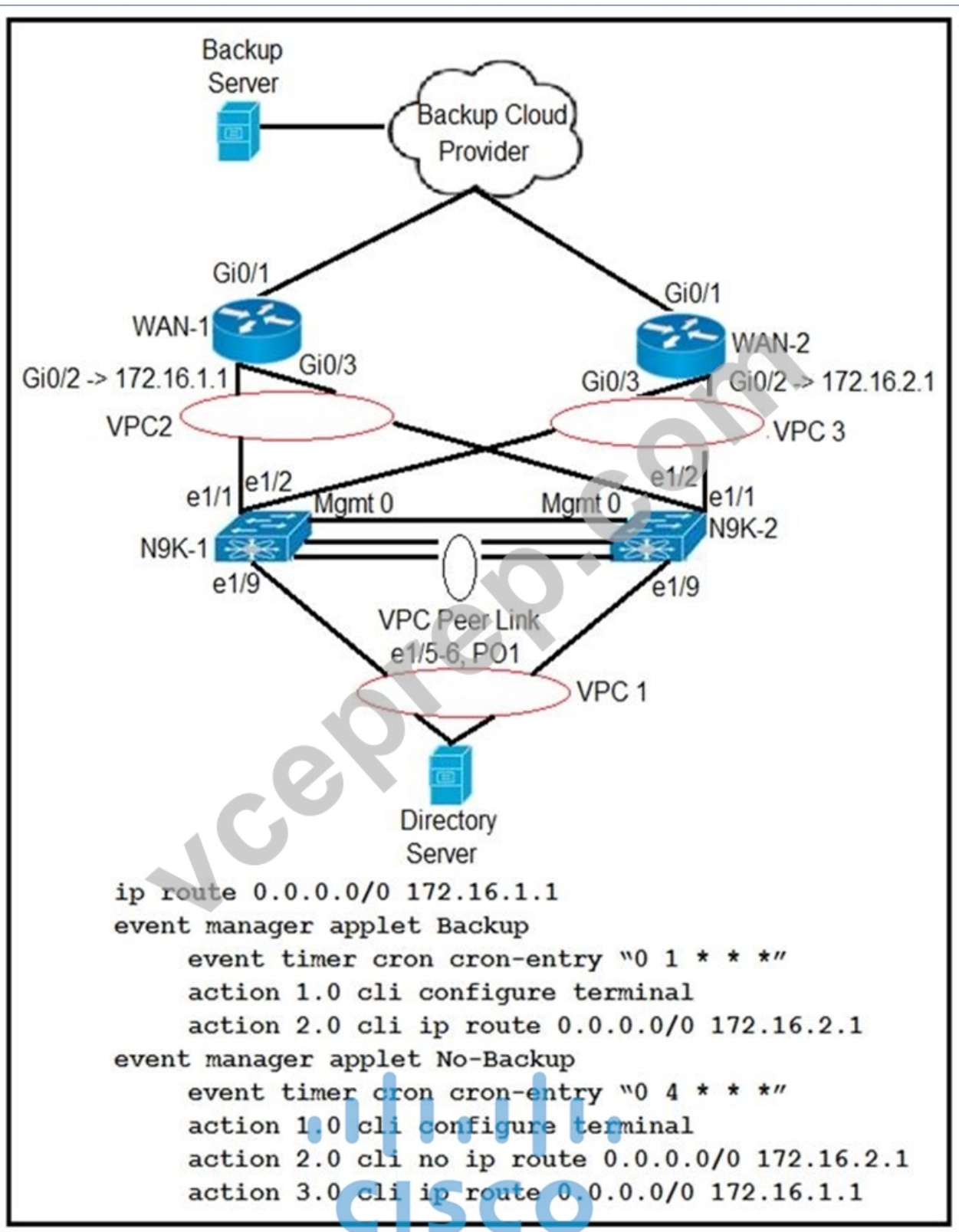
Explanation:

Recovering a Disconnected Leaf Using the REST API

https://www.cisco.com/c/en/us/td/docs/switches/datacenter/aci/apic/sw/2-x/rest_cfg/2_1_x/b_Cisco_APIC_REST_API_Configuration_Guide/b_Cisco_APIC_REST_API_Configuration_Guide_chapter_01001.html?bookSearch=true#task_E7CDCEE65C7441D78017E

NEW QUESTION # 90

Refer to the exhibit.



Partial configuration from N9K-1 and N9K-2 is included. The client has two WANs connected.

* WAN-1 is for normal business-day activities.

* WAN-2 is for server backups during nonworking hours of 1:00 a.m. to 5:00 a.m. daily.

The client says that at the scheduled time for backup, the data center server failed to use the WAN-2 link to back up the servers to the cloud backup system. What is the solution to this problem?

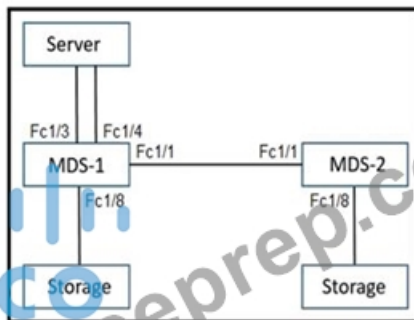
- A. The applet called "Backup" must include an action to remove the current static route.
- B. The Cisco Nexus switch must be configured with one applet because a configuration with two applets will fail.
- C. The event timer must be written in epoch time format.
- D. The Cron entry must be configured without double quotes.

Answer: A

Explanation:

The applet called "Backup" must include an action to remove the current static route is the valid corrective action because the failure described is a protocol or fabric state problem, not a generic connectivity issue. For Cisco Nexus, Cisco troubleshooting expects the engineer to compare both endpoints of the relationship: vPC peers must agree on consistency parameters, HSRP peers must exchange hellos in the same VLAN and version context, OSPF/BGP peers must match the attributes required for stable adjacency, and VXLAN EVPN must advertise the correct host or prefix information. The selected option restores that required state. The other options either operate on the wrong layer, change a value that is not used to form the relationship, or would make the peer relationship less deterministic. A clean validation is to inspect the control-plane table first, then verify the forwarding table, and finally test end-to-end traffic. This is the Cisco-preferred approach because it avoids random changes and confirms that the fabric is forwarding based on correct protocol state.

NEW QUESTION # 91



```
MDS1 (config)# fabric-binding activate vsan 101 force
2020 Aug 18 06:56:52 MDS1 %PORT-SECURITY-3-BINDING_CONFLICT: %$VSAN 101$
MDS1 (config)# 2020 Aug 18 06:56:52 MDS1 %PORT-5-IF_TRUNK_DOWN: %$VSAN 101$
Interface fc1/1, vsan 101 is down (Isolation due to fabric binding:
peer switch WWN not found)
```

Refer to the exhibits. An engineer is implementing the SAN based on the Cisco MDS 9000 Series Switches. When operating the environment, the engineer encounters the error shown. Which action resolves the issue?

- A. Copy VSAN 101 to the fabric binding database on the MDS-1 switch
- B. Configure the port security feature on the MDS-1 switch
- C. Enable VSAN 101 on the peer MDS 2 switch fabric interconnect
- **D. Add the World Wide Name of the neighboring switch to the MDS-1 switch**

Answer: D

NEW QUESTION # 92

An engineer removes a VMM domain from an endpoint group called EPG-1, but the distributed port group fails to be deleted. Which action must be taken to resolve the issue?

- A. Migrate all virtual machines in the EPG-1 to different hypervisors.
- B. Remove the port group manually.
- **C. Migrate all virtual machines in the EPG-1 to different port groups.**
- D. Remove the remaining EPGs from the VMM domain.

Answer: C

Explanation:

For remove & delete the portgroup on VMM Domain you must migrate all VMs attached. After migrate all VMs attached on the EPG-1 you can delete the portgroup on DVS.

NEW QUESTION # 93

A Cisco UCS B-Series Blade Server is configured to boot a VMware ESXi host from an EMC VNX storage array by using a

