

最新The Open Group OGA-032考古題 & OGA-032題庫資訊



不要再因為準備一個考試浪費太多的時間了。快點購買VCESoft的OGA-032考古題吧。有了這個考古題，你將更好地知道該怎麼準備考試才更有效率。這是一個可以讓你輕鬆就通過考試的難得的工具，錯過這個機會你將會後悔。所以，不要猶豫趕緊行動吧。

The Open Group是ArchiMate語言背後的組織，提供OGA-032考試作為個人展示其使用ArchiMate語言技能的手段。該考試包括40道多項選擇題，時限為90分鐘。該考試涵蓋了高級主題，例如建模跨層次依賴性、建模動機和策略以及建模實施和遷移等。通過考試證明個人對ArchiMate語言有深刻的理解，並能夠使用它來創建有效的企業架構模型。ArchiMate 3認證計劃是一個全球認可的企業架構建模標準，也是IT行業雇主高度重視的認證計劃之一。

開放組的OGA-032認證考試是一項全球認可的認證，為專業人員提供了使用ArchiMate 3建模語言來證明其企業體系結構的機會。該認證旨在驗證候選人在設計，分析和交流複雜建築模型方面的知識和技能。對於希望在企業體系結構中促進職業並展示其在ArchiMate 3建模語言方面的專業知識的專業人士來說，認證考試是一個重要的步驟。該認證還為組織提供了驗證員工技能的機會，並確保他們具有設計和管理複雜企業體系結構所需的知識和技能。

考試由 40 道選擇題組成，必須在 90 分鐘內回答。問題分為三個部分：初步知識、實踐知識和專家知識。初步知識部分涵蓋基礎的 ArchiMate 3 概念，而實踐知識部分則測試考生在架構設置中應用這些概念的能力。專家知識部分則專注於與 ArchiMate 3 建模語言相關的高級主題。通過此考試，可以展示對 ArchiMate 3 的全面理解，並驗證創建有效企業架構解決方案所需的技能。

>> 最新The Open Group OGA-032考古題 <<

高質量的最新OGA-032考古題，提前為ArchiMate 3 Part 2 Exam OGA-032考試做好準備

您可以先在網上免費下載VCESoft提供的部分關於The Open Group OGA-032 認證考試的練習題和答案來測試我們的品質。VCESoft能夠幫你100%通過The Open Group OGA-032 認證考試，如果你不小心沒有通過The Open Group OGA-032 認證考試，我們保證會全額退款。

最新的 ArchiMate 3 Foundation OGA-032 免費考試真題 (Q19-Q24):

問題 #19

Please read this scenario prior to answering the question

The ArchiSurance enterprise document management solution plays a crucial role in supporting a large number of document types and managing a high volume of document-based transactions each day. Given its business-critical nature, the document management solution is hosted redundantly across two geographically separate data center sites: Site A and Site B. Both sites are configured identically to ensure seamless operations.

Each site has a highly available data center network (DCN) that connects to the resilient ArchiSurance wide area network (WAN). Each claim management server is connected to its respective site's DCN, forming a converged network that interconnects servers and storage arrays. A dedicated physical storage array is allocated to the claim management application within each DCN.

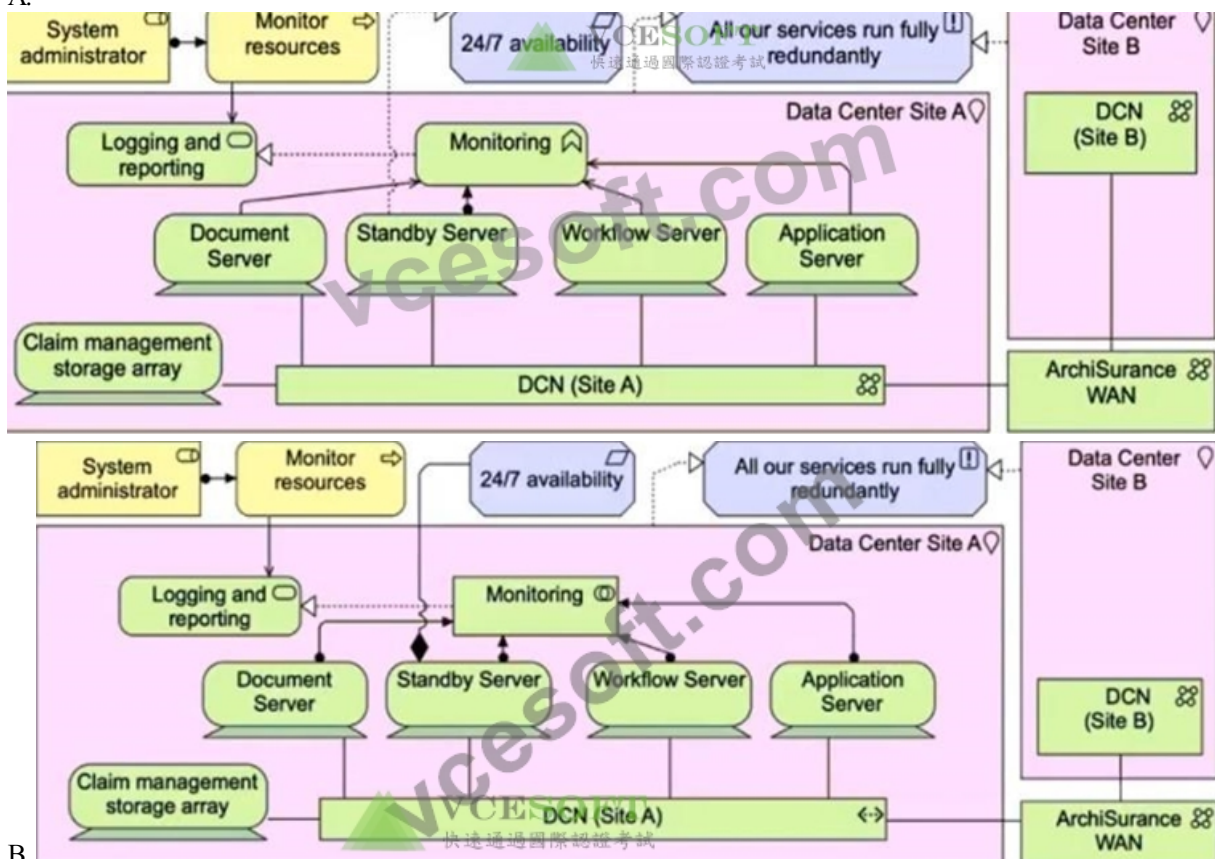
Additionally, each site houses four powerful physical servers exclusively dedicated to the claim management application. Among these servers, one remains on standby at any given time, while the other three take on specific roles in hosting the document, workflow, and application engines.

The standby server is responsible for monitoring the behavior of the other servers, providing a logging and reporting service. The active servers regularly transmit data to facilitate this monitoring functionality. In the event of a server failure, the standby server steps in to perform resource reallocation, replacing the faulty server. However, this task requires manual intervention from a system administrator to reconfigure the logging and reporting service to adapt to the new environment.

Refer to the Scenario

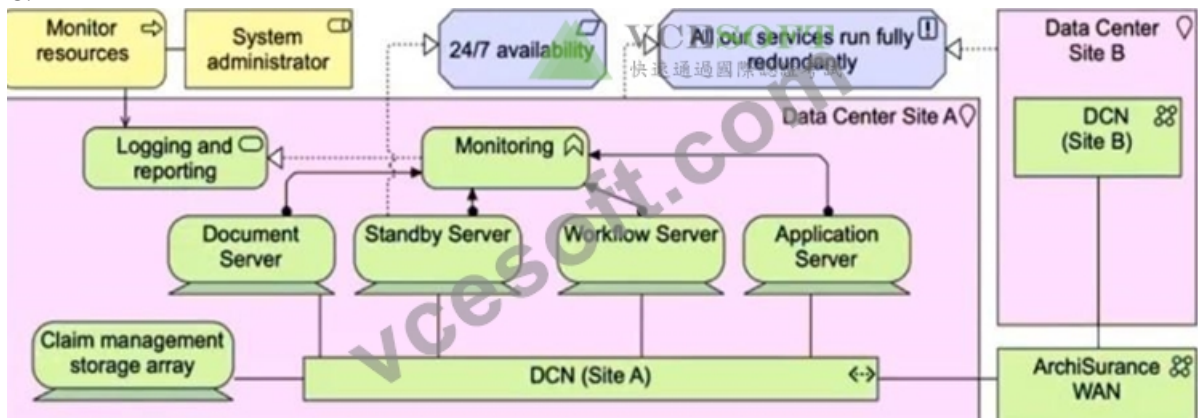
The IT manager has asked you to model the hardware and networks that support the document management solution. This includes capturing the infrastructure components such as data center sites, servers, storage, and networks. Additionally, you are expected to outline the necessary functionality and services required to enable failover within a server cluster. Given that both data centers share an identical configuration, it is sufficient for Site B to only show the associated networking. Which of the following is the best answer?

- A.

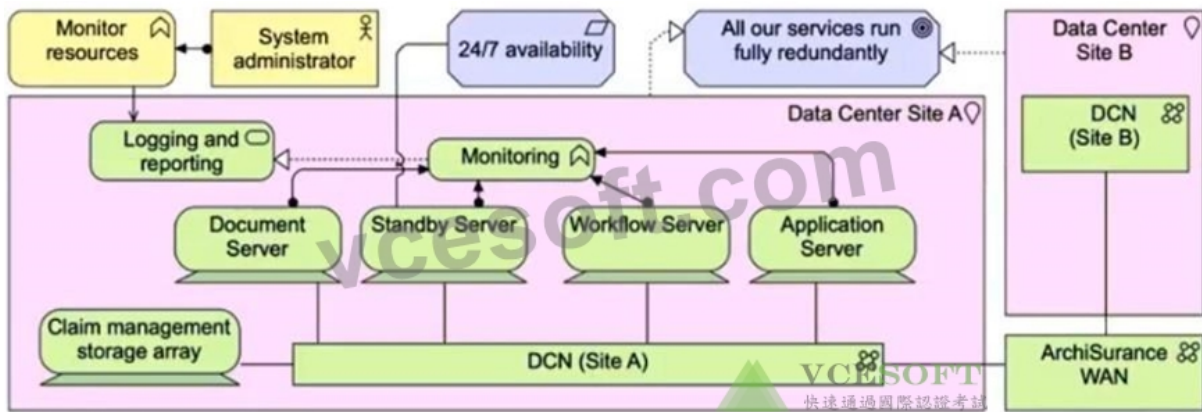


- B.

- C.



- D.



答案：D

解題說明：

Business Layer

- System Administrator is shown as a Business Actor (stick-figure badge).
- Monitor resources is a Business Function (chevron badge) assigned to the System Administrator.

Motivation

- "24/7 availability" is modeled as a Goal,
- "All our services run fully redundantly" as a Requirement.
- Both link into the technology-layer failover design.

Technology Layer

- Monitoring is a Technology Function (up-arrow badge) realized by the standby server.
- Logging and reporting is a Technology ("infrastructure") Service (circle badge) offered by that same node.
- The four physical machines (Document, Workflow, Application, Standby Servers) are all Technology Nodes (the 3D-style server shapes).
- The claim storage is a Technology Artifact (cylinder); the DCNs and WAN are Technology Network elements.

Locations

- Both sites are captured as Location elements (the pin icon), but only Site B's networking is shown to avoid unnecessary duplication.

Fail-over Flow

- Arrows from the active servers into the Monitoring function capture the regular "heartbeat."
- The standby node realizes Monitoring and Logging/Reporting, and a manual triggering relationship back to the System Administrator models the human re-configuration step.

問題 #20

Please read this scenario prior to answering the question

A utility provider manages a Smart Meter Monitoring process.

A Meter Data Collector gathers readings from field devices and stores them in a Meter Repository. A Monitoring Dashboard application retrieves this data and generates alerts.

Both applications run in a cloud environment on virtual machines connected through a cloud network and backed by distributed storage.

Refer to the scenario.

Which option provides the most comprehensive model?

- A. Model only the cloud environment.
- B. Model Smart Meter Monitoring as a Business Process served by Application Services realized by Application Functions assigned to Application Components, accessing Data Objects, deployed on Virtual Nodes connected by Communication Networks to Technology Devices.
- C. Model the repository only as a Technology Artifact without logical data access.
- D. Model the Dashboard as a Business Role.

答案：B

問題 #21

Please read this scenario prior to answering the question

ArchiCar has been a market leader in the premium priced luxury car sector for the last decade. Its product leadership strategy has brought superior products to market, and enabled ArchiCar to achieve premium prices for its cars. This strategy has been widely successful in the past, but recently competitors have been offering comparable products and taking significant market share. The governing board of ArchiCar has identified opportunities in emerging markets where the ArchiCar brand is associated with luxury and high performance products, but is thought to be too expensive for mass-market success. Based on this assessment, the board has made the decision to setup a subsidiary company to mass-produce affordable cars locally. This will be achieved by focusing on a strategy of operational excellence. Such a strategy is ideal for such markets where customers value cost over other factors.

To facilitate this strategic transformation, the project has been divided into multiple phases within a five-year program. The initial phase, known as "Achieving Operational Excellence," is underway. The engineering team has begun devising an action plan to drive the necessary changes and outlining the technological conditions that must be met. The product architect has identified three current capabilities - industry-leading engineering, high-quality materials sourcing, and cutting-edge focussed R&D - along with their contributions to the new production philosophy.

Moving forward, it has been determined that two out of the three current capabilities require revision. Materials sourcing needs to be adjusted to meet optimization demands, and R&D targets must align with future goals to enable affordable production. Additionally, process engineering is introduced as a fourth capability to shift the company's focus from products to a process-oriented approach. The Enterprise Architecture team has been tasked with migration planning, and identifying key work packages and deliverables. They have identified two transition states between the current and future scenario. The first transition aims to adjust current capabilities, including revising the R&D approach and procurement strategy. The second transition aims to shift from a product-centric mindset to a process-focused approach and adjust materials sourcing accordingly. It is important to consider existing supplier contracts that cannot be immediately canceled during this process.

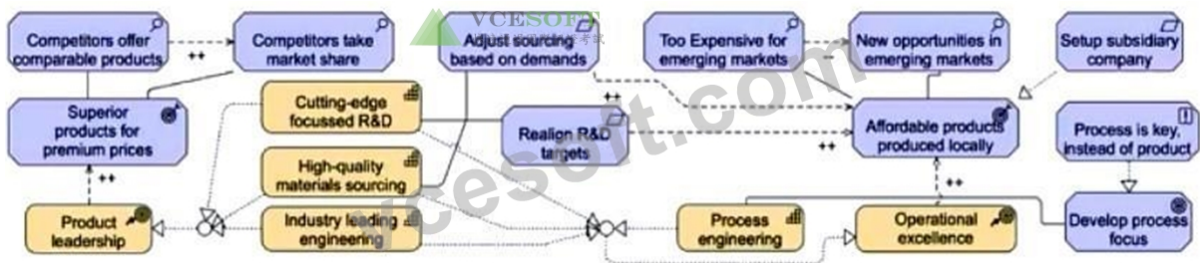
The Enterprise Architecture team has identified that the second transition must implement a process framework, in order to shift to a process focus and meet a number of requirements, including the requirement for end-to-end process thinking. As this requirement impacts procurement processes, it also impacts the procurement strategy.

Refer to the Scenario

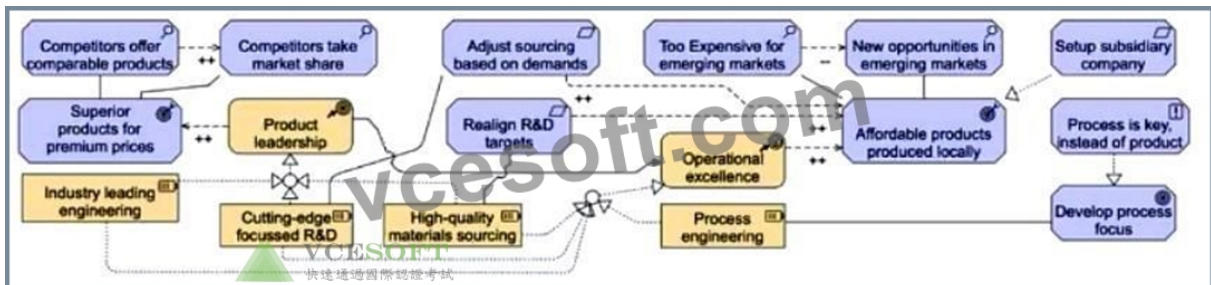
You have been tasked with modeling the current capabilities of ArchiCar, identifying the capabilities necessary for the company to achieve Operational Excellence, and showing the motivations behind these changes.

Which of the following models best answers this?

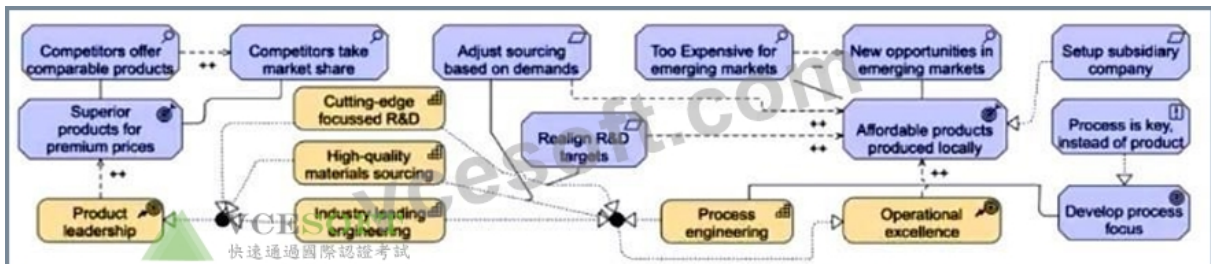
- A.



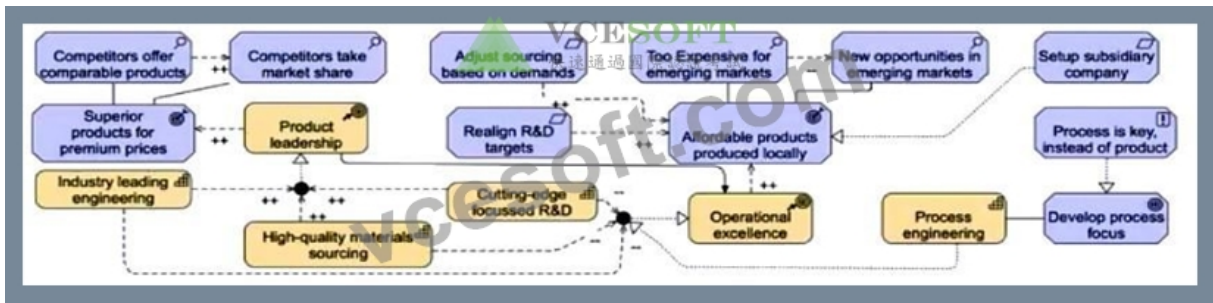
- B.



- C.



- D.



答案： C

解題說明：

This diagram shows all three of the existing capabilities, the new "Process Engineering" capability, the two requirements to realign R&D and to adjust sourcing, the two high-level goals of "Product Leadership" and "Operational Excellence," and (critically) the "Process is key"/"Develop process focus" requirement feeding back into the procurement strategy.

問題 #22

Please read this scenario prior to answering the question

The ArchiSurance enterprise document management solution plays a crucial role in supporting a large number of document types and managing a high volume of document-based transactions each day. Given its business-critical nature, the document management solution is hosted redundantly across two geographically separate data center sites: Site A and Site B. Both sites are configured identically to ensure seamless operations.

Each site has a highly available data center network (DCN) that connects to the resilient ArchiSurance wide area network (WAN).

Each claim management server is connected to its respective site's DCN, forming a converged network that interconnects servers and storage arrays. A dedicated physical storage array is allocated to the claim management application within each DCN.

Additionally, each site houses four powerful physical servers exclusively dedicated to the claim management application.

Among these servers, one remains on standby at any given time, while the other three take on specific roles in hosting the document, workflow, and application engines.

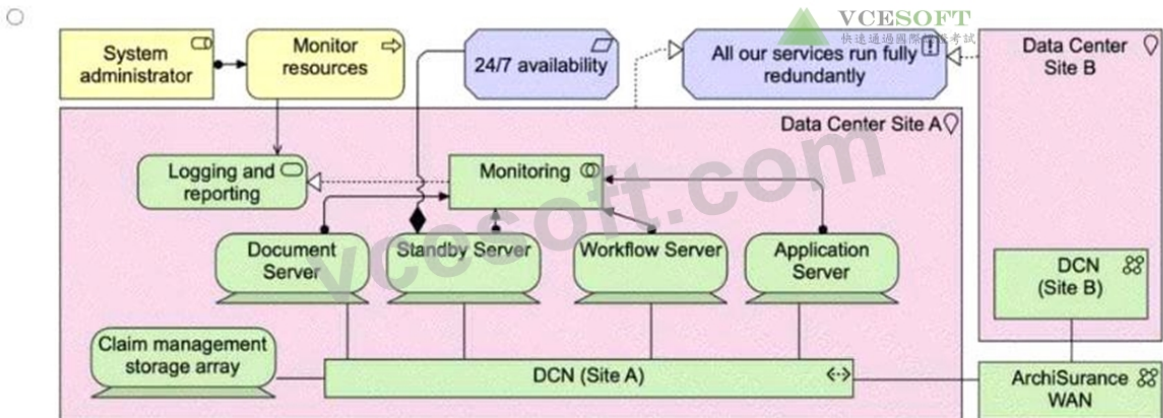
The standby server is responsible for monitoring the behavior of the other servers, providing a logging and reporting service. The active servers regularly transmit data to facilitate this monitoring functionality. In the event of a server failure, the standby server steps in to perform resource reallocation, replacing the faulty server. However, this task requires manual intervention from a system administrator to reconfigure the logging and reporting service to adapt to the new environment.

Refer to the Scenario

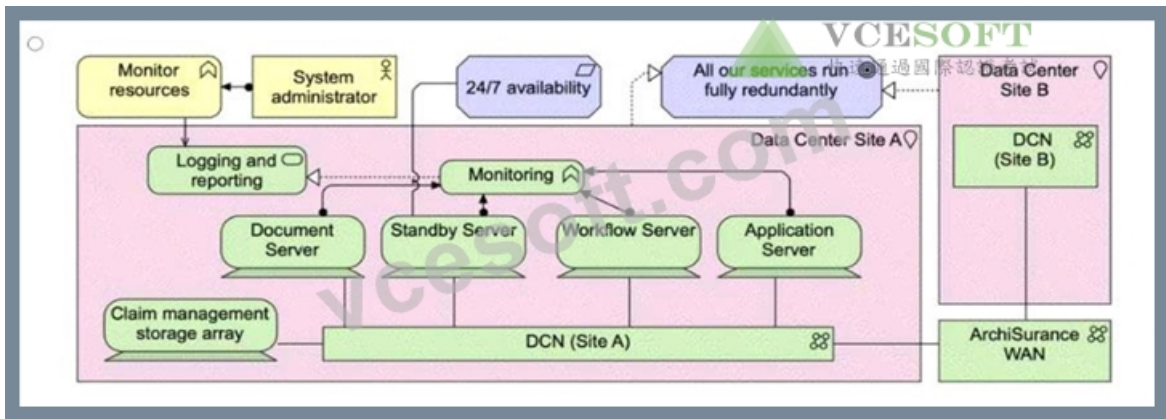
The IT manager has asked you to model the hardware and networks that support the document management solution. This includes capturing the infrastructure components such as data center sites, servers, storage, and networks. Additionally, you are expected to outline the necessary functionality and services required to enable failover within a server cluster. Given that both data centers share an identical configuration, it is sufficient for Site B to only show the associated networking.

Which of the following is the best answer?

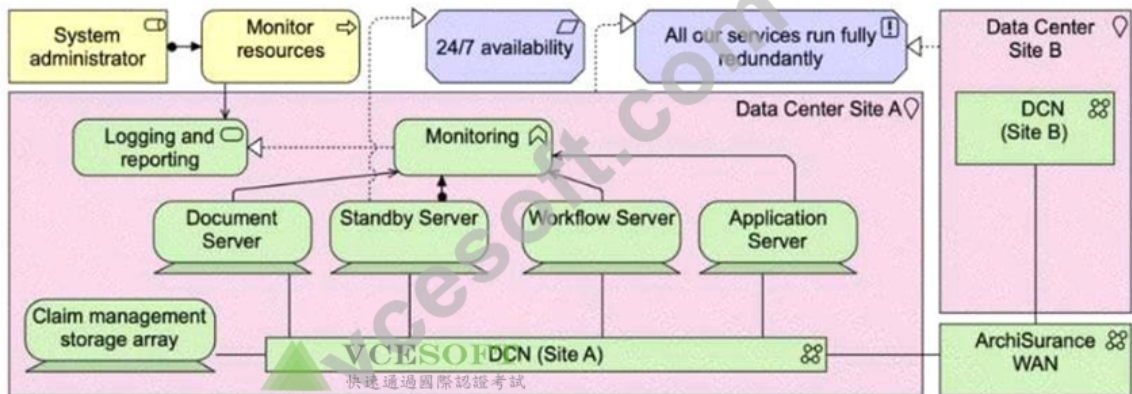
- A. A diagram of a server AI-generated content may be incorrect.



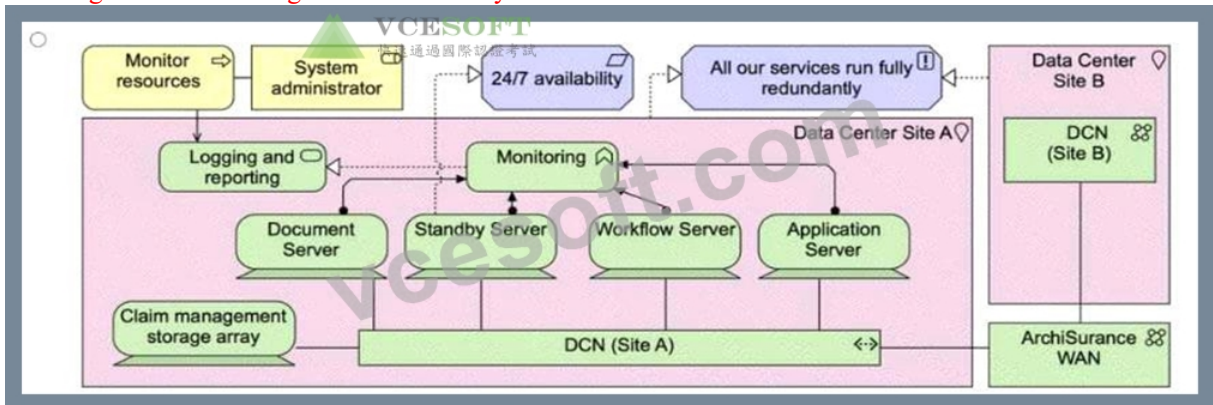
- B. A diagram of a server AI-generated content may be incorrect.



- C. A diagram of a software server AI-generated content may be incorrect.



- D. A diagram of a server AI-generated content may be incorrect.



答案：D

解題說明：

We need to identify the most accurate and complete model that represents:

- * Infrastructure Components- Including data centers, servers, storage arrays, and networks.
- * Failover Capabilities- Showing the standby server's role in monitoring and switching functionality upon failure.
- * Redundant Setup- Ensuring the representation of both data centers (Site A and Site B), with Site B showing only networking.
- * Interconnectivity- Between servers, DCN, and WAN.

Why D is the Best Choice:

#All required infrastructure components are included, such as:

- * Physical servers (Document, Workflow, and Application Servers).
- * Standby Server for failover.
- * Claim Management Storage Array.
- * DCN (Data Center Network) for Site A and Site B.
- * ArchiSurance WAN for external connectivity.

#The Standby Server is correctly linked to logging, monitoring, and reporting, showing its role in monitoring and failover.

#Networking is modeled properly:

- * Both Site A and Site B have a DCN, correctly interconnecting storage and servers.

- * Site B does not duplicate servers but represents networking, as per the scenario.
 - #Functionality of Failover is Modeled Accurately:
 - * Monitoring and reporting services are depicted.
 - * Manual intervention by a system administrator is present.
- Why Not A, B, or C?
- * A: Does not fully capture the network and storage relationships clearly.
 - * B: Similar to A but misses some essential network connections.
 - * C: Incorrect failover representation, and networking elements are not clearly depicted.

問題 #23

Please read this scenario prior to answering the question

ArchiSurance has decided to leverage its financial expertise by offering defined contribution retirement plans.

Each trading day, ArchiSurance submits consolidated mutual fund trading transactions to a stock exchange on behalf of its retirement plan participants.

The daily mutual fund trading cycle consists of four key processes: Transaction capture, pricing, trading and reconciliation.

Transaction capture consists of two sub-processes: manual exchange and loans and distributions (L&D). For transaction capture, retirement plan participants use an online account management application to enter manual fund exchange transactions. For L&D, plan participants use a separate application to enter requests. The L&D application determines whether the request can be fulfilled based on the mutual fund balances held in each plan balances and a set of business rules. Each day's captured manual exchange transactions accumulate in a transaction database.

ArchiSurance contracts with a third-party information service to receive a file of mutual fund prices at the close of each trading day.

The pricing application uses this file to convert captured transaction into trades, and then validates each trade against the mutual fund balances held in each plan. The pricing application generates a trade file with the minimum number of trades necessary. The trading application sends this file to an external trading service.

When the trading application

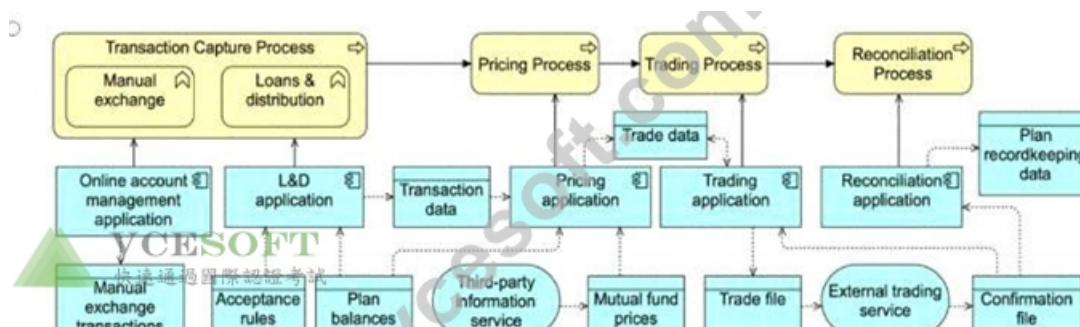
receives a confirmation file back from the trading service, it causes the reconciliation application to update the plan recordkeeping database.

The account management and L&D applications are hosted on separate application server clusters. Each cluster is a physically separate host that runs application server software on a set of virtualized hosts. All of these applications use a database server infrastructure that is hosted on another separate cluster of virtualized servers also on a dedicated physical host. The pricing, consolidation, trading and reconciliation applications, however, are batch applications that run on the ArchiSurance mainframe computer. All application hosts are connected via a converged data center network (DCN), which also connects them to a storage area network (SAN) as well as a wide area network (WAN) that is used to communicate with the external trading service. The SAN includes two physically separate storage arrays, one of which holds data for all databases, and another that holds data for all files.

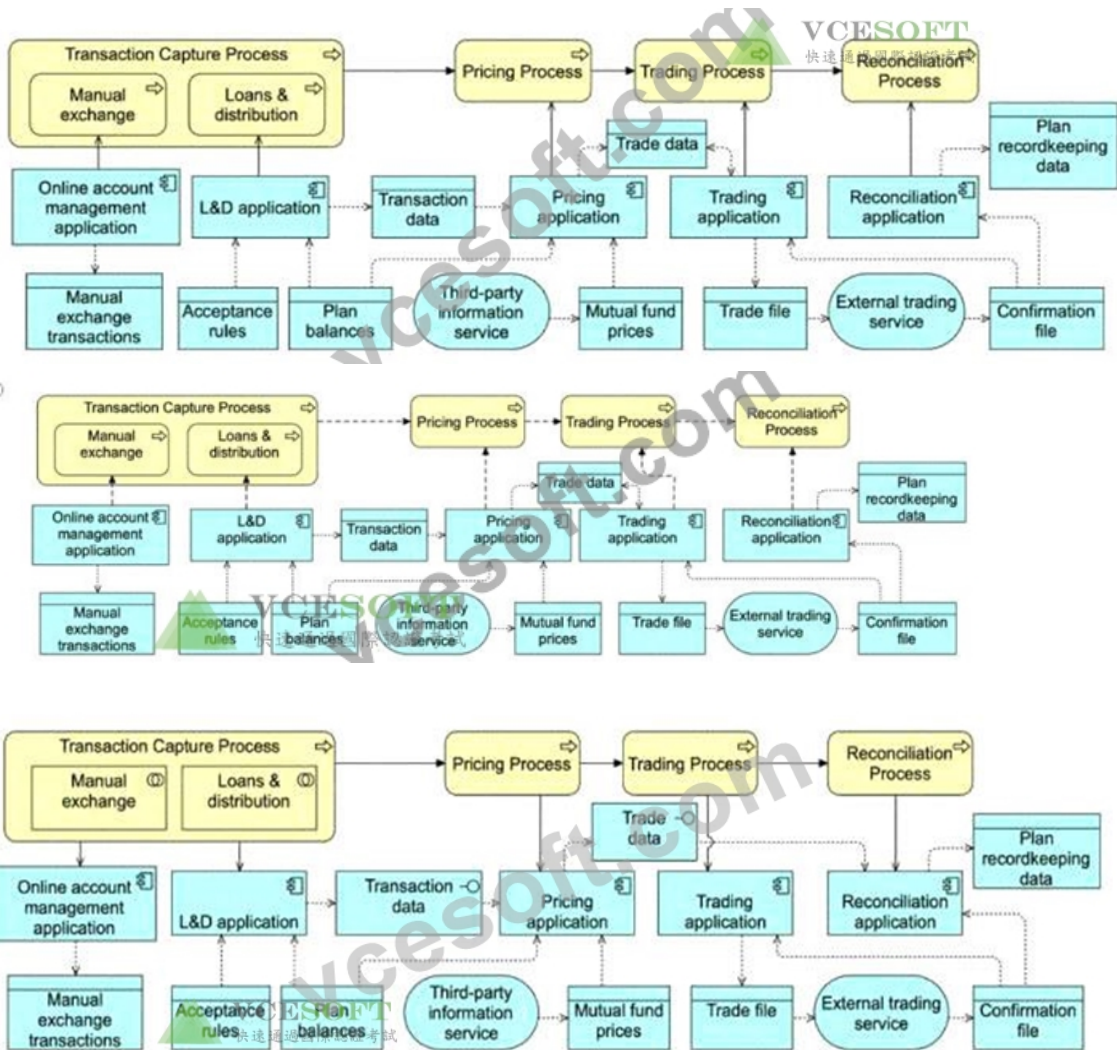
Refer to the Scenario

The systems analysts would like to better understand the business processes and applications for daily fund trading. You have been asked to describe the business processes and sub-processes, the applications that they use, the data objects accessed by those applications, and the external application services that access some of those data objects.

Which of the following is the best answer? Note that you are not required to model the business actors/roles.



- A.
- B.



- C.
- D.

答案：D

解題說明：

In this scenario, the goal is to model the business processes, their sub-processes, the applications supporting these processes, and the data objects these applications access. Additionally, external services that access some of these data objects need to be shown. This includes capturing the key processes and their dependencies, as well as understanding how the applications interact with data and external services.

Key ArchiMate® 3.2 Concepts Applied:

* Business Processes and Sub-Processes:

* Transaction Capture Process: Consists of two sub-processes:

* Manual Exchange

* Loans & Distribution (L&D) This process is responsible for capturing transactions from users through different applications (Online Account Management, L&D Application).

* Pricing Process: This process uses the Mutual Fund Prices from a third-party service and the Plan Balances to validate and price trades.

* Trading Process: This process generates a Trade File and interacts with an external Trading Service.

* Reconciliation Process: This final process updates the Plan Recordkeeping Data after confirming trades from the External Trading Service.

* Applications and Data:

* Online Account Management Application and L&D Application: These capture user inputs for transactions and maintain Transaction Data and Plan Balances.

* Pricing Application: Uses Mutual Fund Prices and Transaction Data to generate Trade Data.

* Trading Application: Submits Trade Data and receives a Confirmation File from the external Trading Service.

* Reconciliation Application: Uses the Confirmation File to update Plan Recordkeeping Data.

* External Application Services:

* Third-Party Information Service: Provides Mutual Fund Prices.

* External Trading Service: Processes trades and returns a Confirmation File.

- * Data Objects:
- * Transaction Data: Captured by the transaction capture processes.
- * Mutual Fund Prices: Received from the third-party service.
- * Trade Data: Generated by the pricing and trading applications.
- * Plan Recordkeeping Data: Updated by the reconciliation process after trade confirmation.

Why Option B is Correct:

- * Option B provides the most complete and accurate representation of the scenario. It captures the business processes (Transaction Capture, Pricing, Trading, Reconciliation) and their sub-processes, while showing the appropriate connections to the applications that support these processes.
- * It clearly depicts the data objects (Transaction Data, Plan Balances, Trade File, Mutual Fund Prices, Plan Recordkeeping Data) and their flows between the processes and applications.
- * The model also includes the external services (Third-Party Information Service and External Trading Service), showing how these interact with the internal applications and data objects.
- * It accurately represents the flow of Trade Data from the Pricing Application to the Trading Application, and the use of Mutual Fund Prices by the Pricing Process.

Why Other Options Are Incorrect:

- * Option A and Option D miss some critical connections between the applications and the external services. They also lack clarity in how the data flows between the processes and applications.
- * Option C does not adequately represent the interaction between the applications and the external services (e.g., Third-Party Information Service), which is a key requirement in this scenario.

Conclusion:

Option B provides the best and most accurate description of the business processes, applications, data objects, and external services involved in ArchiSurance's daily fund trading operations, following ArchiMate® 3.2 standards for modeling business processes and applications.

問題 #24

.....

根據過去的考試題和答案的研究，VCE Soft提供的The Open Group OGA-032練習題和真實的考試試題有緊密的相似性。VCE Soft是可以承諾您能100%通過你第一次參加的The Open Group OGA-032 認證考試。

OGA-032題庫資訊: <https://www.vcesoft.com/OGA-032-pdf.html>

- 最新OGA-032題庫資訊 OGA-032最新題庫 OGA-032考試備考經驗 ⇒ www.pdfexamdumps.com ⇐ 上搜索 ➔ OGA-032 輕鬆獲取免費下載OGA-032考試備考經驗
- OGA-032認證指南 OGA-032認證指南 最新OGA-032題庫資訊 進入 ✓ www.newdumpspdf.com ✓ 搜尋“OGA-032”免費下載OGA-032新版題庫上線
- 正確的最新OGA-032考古題擁有模擬真實考試環境與場境的軟件VCE版本 & 專業的OGA-032: ArchiMate 3 Part 2 Exam 到 ▶ www.newdumpspdf.com ◀ 搜索 ⇒ OGA-032 ⇐ 輕鬆取得免費下載OGA-032考題免費下載
- OGA-032考題免費下載 OGA-032更新 OGA-032最新題庫 到“www.newdumpspdf.com”搜索「OGA-032」輕鬆取得免費下載OGA-032考試證照綜述
- 最新版的最新OGA-032考古題，全面覆蓋OGA-032考試知識點 [www.kaoguti.com]最新 ⇒ OGA-032 ⇐ 問題集合OGA-032認證題庫
- 最新版的最新OGA-032考古題，全面覆蓋OGA-032考試知識點 複製網址 ⇒ www.newdumpspdf.com ⇐ 打開並搜索 ➔ OGA-032 免費下載OGA-032考題資源
- OGA-032認證指南 OGA-032考題免費下載 OGA-032考題免費下載 立即在 ➔ www.pdfexamdumps.com 上搜尋 ▷ OGA-032 ◁ 並免費下載OGA-032資料
- 新版OGA-032考古題 OGA-032認證題庫 最新OGA-032題庫資訊 ▷ www.newdumpspdf.com ◁ 上的免費下載 ⇒ OGA-032 ⇐ 頁面立即打開OGA-032考題免費下載
- OGA-032更新 OGA-032參考資料 OGA-032在線考題 在 www.pdfexamdumps.com 網站下載免費 ➤ OGA-032 題庫收集OGA-032認證指南
- 正確的最新OGA-032考古題擁有模擬真實考試環境與場境的軟件VCE版本 & 專業的OGA-032: ArchiMate 3 Part 2 Exam 透過 ⇒ www.newdumpspdf.com ⇐ 搜索 ▶ OGA-032 ◀ 免費下載考試資料OGA-032考試指南
- 正確的最新OGA-032考古題擁有模擬真實考試環境與場境的軟件VCE版本 & 專業的OGA-032: ArchiMate 3 Part 2 Exam 進入「www.newdumpspdf.com」搜尋 ✓ OGA-032 ✓ 免費下載OGA-032熱門考古題
- larissaqhry262538.blog-mall.com, socialaffluent.com, heathxzgk545345.webbuzzfeed.com, www.stes.tyc.edu.tw, safiyagehk336559.blog-a-story.com, cormacfjrp812301.activablog.com, roxanntufu871573.wikidirective.com, aronbxco558947.glifeblog.com, gregoryisdh523716.anchor-blog.com, marcygrf272930.blogginaway.com, Disposable vapes