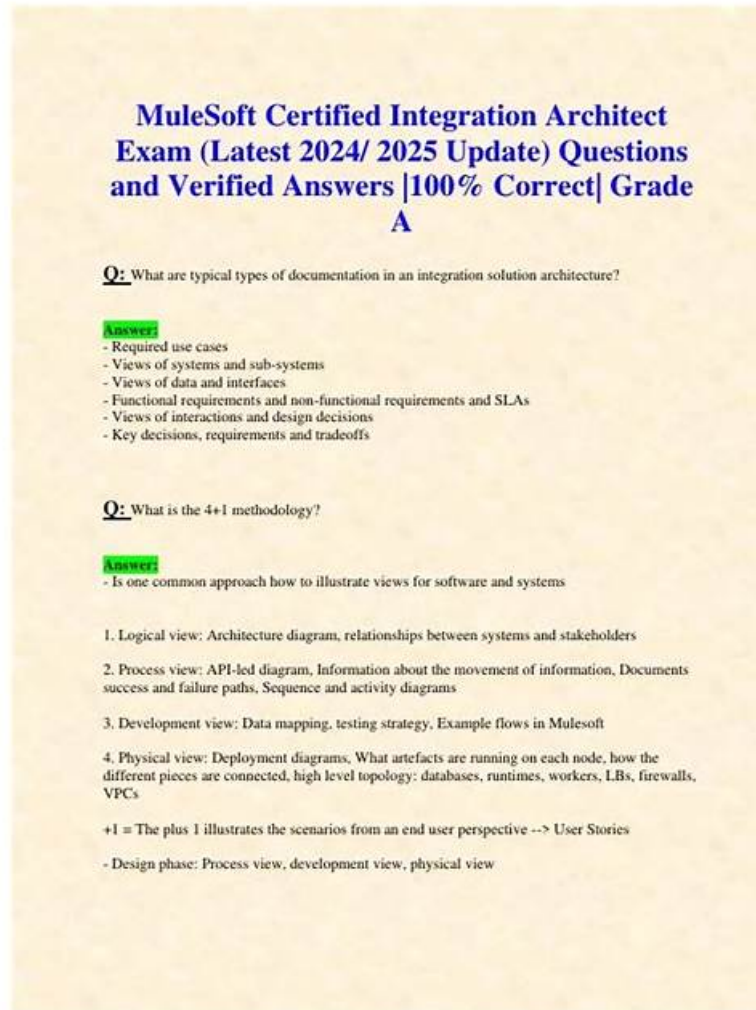


Verified Integration-Architect Answers - 100% Pass-Sure Questions Pool



DOWNLOAD the newest FreePdfDump Integration-Architect PDF dumps from Cloud Storage for free:
https://drive.google.com/open?id=1MbXWH1nCG_oQdUBourlBwcKc6FiS3HKL

The versions of our Integration-Architect study guide includes the PDF version, PC version, APP online version. Each version's using method and functions are different and the client can choose the most convenient version to learn our Integration-Architect exam materials. For example, the PDF version is convenient for you to download and print our Integration-Architect Test Questions and is suitable for browsing learning. If you use the PDF version you can print our Integration-Architect test torrent on the papers and it is convenient for you to take notes. You can learn our Integration-Architect test questions at any time and place.

Every person in IT industry should not just complacent with own life. Now the competitive pressures in various industries are self-evident, and the IT industry is no exception. So if you have a goal, then come true it courageously. Pass the Salesforce Integration-Architect Exam is a competition. If you passed the exam, then you will have a brighter future. FreePdfDump can provide you with the true and accurate training materials to help you pass the exam. And then you can achieve your ideal.

>> **Verified Integration-Architect Answers** <<

Free PDF 2026 Salesforce Integration-Architect: Salesforce Certified Integration Architect Fantastic Verified Answers

Even though the FreePdfDump experts who have designed Integration-Architect assure us that anyone who studies properly cannot fail the exam, we still offer a money-back guarantee. This way we prevent pre and post-purchase anxiety. We save your amount by offering the best prep material with up to 1 year of free updates so that you pass the exam on the first attempt without having to retry, saving your time, effort, and money! FreePdfDump offers the Salesforce Integration-Architect Dumps at a very cheap price.

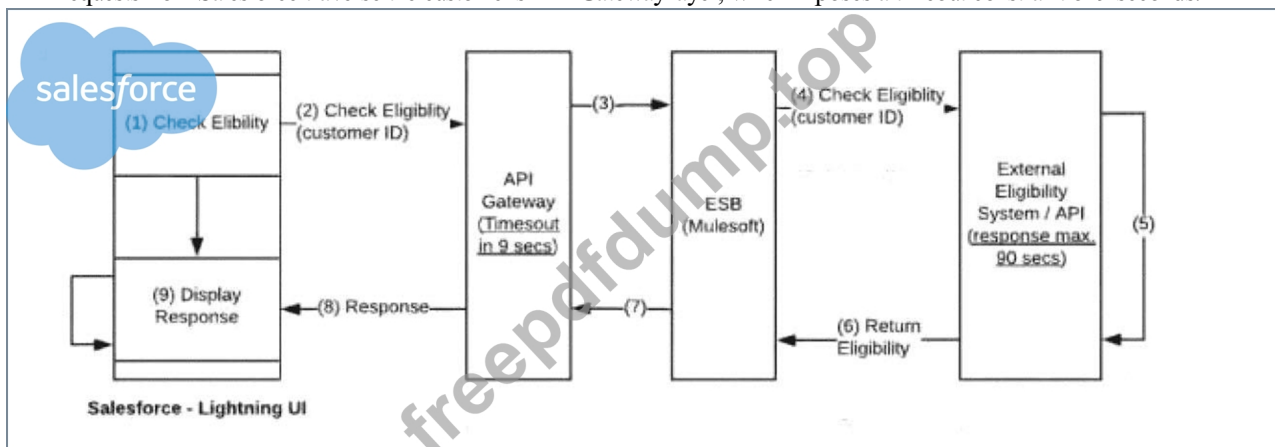
Salesforce Integration-Architect (Salesforce Certified Integration Architect) exam is a certification test that evaluates an individual's knowledge and expertise in integrating Salesforce with other systems. Salesforce Certified Integration Architect certification is designed for professionals who have experience in designing and implementing complex integration solutions using Salesforce. Integration-Architect Exam is intended to test the candidate's ability to design and manage integration solutions that meet business requirements and align with best practices.

Salesforce Certified Integration Architect Sample Questions (Q23-Q28):

NEW QUESTION # 23

An enterprise architect has requested the Salesforce integration architect to review the following (see diagram and description) and provide recommendations after carefully considering all constraints of the enterprise systems and Salesforce Platform limits.

- * About 3,000 phone sales agents use a Salesforce Lightning user interface (UI) concurrently to check eligibility of a customer for a qualifying offer.
- * There are multiple eligibility systems that provide this service and are hosted externally.
- * Their current response times could take up to 90 seconds to process and return.
- * These eligibility systems are accessed through APIs orchestrated via ESB (MuleSoft).
- * All requests from Salesforce traverse the customer's API Gateway layer, which imposes a timeout constraint of 9 seconds.



Which recommendation should the integration architect make?

- A. Implement a "Check Update" button that passes a requestID received from ESB (user action needed).
- B. Recommend synchronous Apex callouts from Lightning UI to External Systems via Mule and implement polling on an API Gateway timeout.
- C. Create a platform event in Salesforce via Remote Call-In and use the empAPI in the Lightning UI to serve 3,000 concurrent users when responses are received by Mule.

Answer: C

Explanation:

In this architectural scenario, the Integration Architect must navigate two critical technical "bottlenecks": the 9-second API Gateway timeout and the 90-second backend processing time. Since the backend takes significantly longer than the gateway allows for a synchronous connection, a standard Request-Reply pattern will fail. Furthermore, having 3,000 concurrent agents perform synchronous callouts would risk hitting Salesforce's concurrent long-running request limits.

The most scalable and user-friendly solution is to implement an Asynchronous Request-Reply pattern using Platform Events and the empAPI.

When an agent clicks "Check Eligibility," Salesforce sends an initial asynchronous request to the ESB (MuleSoft). The ESB immediately acknowledges receipt with a 202 Accepted status, freeing up the Salesforce UI thread and avoiding the API Gateway's 9-second timeout. Once the backend eligibility system completes its 90-second process, MuleSoft acts as a client to Salesforce, performing a Remote Call-In to publish a specific Platform Event containing the result and the original Request ID.

On the frontend, the Lightning UI uses the empAPI (Enterprise Messaging Platform API) to subscribe to the streaming channel for that Platform Event. Because the empAPI uses CometD technology to maintain a single long-lived connection, it can efficiently push the response to the agent's screen the moment it arrives, without requiring the agent to manually refresh or click a "Check Update" button (as suggested in Option B).

This provides a "real-time" feel despite the long backend latency.

Option A is non-viable because synchronous polling would exacerbate the load on the API Gateway and likely lead to governance limit issues within Salesforce. By using Platform Events and empAPI, the architect ensures the solution remains within Salesforce's execution limits while providing a seamless, automated experience for a high-volume call center environment.

NEW QUESTION # 24

Northern Trail Outfitters (NTO) is looking to integrate three external systems that run nightly data enrichment processes in Salesforce. NTO has both of the following security and strict auditing requirements:

1. The external systems must follow the principle of least privilege, and
2. The activities of the external systems must be available for audit.

What should an Integration Architect recommend as a solution for these integrations?

- **A. A Connected App for each external system integration.**
- B. A shared integration user for the three external system integrations.
- C. A shared Connected App for the three external system integrations.
- D. A unique integration user for each external system integration.

Answer: A

Explanation:

Explanation

Using a Connected App for each external system integration is a good solution because it can provide security, auditing, and monitoring features for each integration. A Connected App is an application that can connect to Salesforce using APIs and OAuth as an authentication protocol. A Connected App can also enforce policies such as IP restrictions, login hours, and session timeout for each integration. Using a shared integration user for the three external system integrations is not a good solution because it violates the principle of least privilege, as well as makes it difficult to audit the activities of each system. Using a shared Connected App for the three external system integrations is also not a good solution because it does not allow for granular control and visibility of each integration. Using a unique integration user for each external system integration is not enough to meet the security and auditing requirements, as it does not provide any mechanism for authentication, authorization, or encryption. Reference: Salesforce Integration Architecture Designer Resource Guide, page 20-21

NEW QUESTION # 25

Universal Containers (UC) is a global financial company that sells financial products and services. There is a daily scheduled Batch Apex job that generates invoices from a given set of orders. UC requested building a resilient integration for this Batch Apex job in case the invoice generation fails. What should an integration architect recommend to fulfill the requirement?

- **A. Build Batch Retry and Error Handling using BatchApexErrorEvent.**
- B. Build Batch Retry and Error Handling in the middleware.
- C. Build Batch Retry and Error Handling in the Batch Apex job itself.

Answer: A

Explanation:

Resiliency in long-running Batch Apex processes is best achieved by utilizing modern, event-driven error handling frameworks provided by the Salesforce platform. The BatchApexErrorEvent is the architecturally recommended component for monitoring and responding to failures in Batch Apex jobs.

When a Batch Apex class implements the `Database.RaisesPlatformEvents` interface, the platform automatically publishes a BatchApexErrorEvent whenever an unhandled exception occurs during the execution of a batch. This event contains critical metadata, including the exception message, the stack trace, and the scope (the specific IDs of the records that were being processed when the failure occurred).

An Integration Architect should recommend building a Platform Event Trigger that subscribes to these error events. This trigger can perform sophisticated error handling logic, such as:

- * Logging the failure details into a custom "Integration Error" object for auditing.
- * Initiating a retry logic by re-queuing only the failed records into a new batch job.
- * Notifying administrators or external systems via an outbound call or email.

This approach is superior to Option B (internal handling) because unhandled exceptions often cause the entire batch transaction to roll back, potentially losing any error logging performed within the same scope. It is also more efficient than Option C (middleware), as it keeps the error recovery logic "close to the data," reducing the need for external systems to constantly poll for job status or parse complex logs. By using BatchApexErrorEvent, UC ensures a resilient, self-healing process that maintains the integrity of the

invoice generation cycle.

NEW QUESTION # 26

Northern Trail Outfitters needs to make synchronous callouts "available to promise" services to query product availability and reserve inventory during customer checkout process.

Which two considerations should an integration architect make when building a scalable integration solution?

Choose 2 answers

- A. The maximum query cursors open per user on the service.
- **B. The typical and worst-case historical response times.**
- C. The number batch jobs that can run concurrently.
- **D. How many concurrent service calls are being placed.**

Answer: B,D

Explanation:

Explanation

The typical and worst-case historical response times, and how many concurrent service calls are being placed are two considerations that an integration architect should make when building a scalable integration solution for synchronous callouts to "available to promise" services. These two factors can affect the performance, reliability, and availability of the integration solution, as well as the user experience of the customer checkout process. The integration architect should design the solution to handle high volumes of service calls, optimize the response times, handle errors and timeouts, and avoid hitting governor limits or service quotas. References: Certification - Integration Architect - Trailhead, [Callout Limits and Limitations], [Integration Patterns and Practices]

NEW QUESTION # 27

A subscription-based media company's system landscape forces many subscribers to maintain multiple accounts and to log in more than once. An Identity and Access Management (IAM) system, which supports SAML and OpenId, was recently implemented to improve the subscriber experience through self-registration and single sign-on (SSO). The IAM system must integrate with Salesforce to give new self-service customers instant access to Salesforce Community Cloud.

Which requirement should Salesforce Community Cloud support for self-registration and SSO?

- A. SAML SSO and Just-in-Time (JIT) provisioning
- **B. OpenId Connect Authentication Provider and JIT provisioning**
- C. SAML SSO and Registration Handler

Answer: B

NEW QUESTION # 28

.....

No one can be responsible for you except yourself. So you must carefully plan your life and future career development. Our Integration-Architect training quiz might offer you some good guidance. Maybe you never find out your real interest in the past. Now, everything is different. With our Integration-Architect Study Guide, you will find that studying knowledge and making a progress is quite interesting and easy. And the most important is that you will get the best reward according to the Integration-Architect certification.

Certification Integration-Architect Exam Dumps: <https://www.freepdfdump.top/Integration-Architect-valid-torrent.html>

- High-quality Verified Integration-Architect Answers - Good Study Materials to Help you Pass Integration-Architect: Salesforce Certified Integration Architect Go to website ➡ www.prep4away.com open and search for { Integration-Architect } to download for free Integration-Architect Trustworthy Dumps
- Integration-Architect Exam Guide Latest Integration-Architect Dumps Book Test Integration-Architect Engine Version Immediately open (www.pdfvce.com) and search for (Integration-Architect) to obtain a free download Latest Integration-Architect Study Plan
- High-quality Verified Integration-Architect Answers - Good Study Materials to Help you Pass Integration-Architect: Salesforce Certified Integration Architect Search for { Integration-Architect } and easily obtain a free download on www.prep4sures.top Integration-Architect Exam Guide

- Integration-Architect Practice Questions Integration-Architect Clear Exam Study Integration-Architect Material The page for free download of ✓ Integration-Architect ✓ on > www.pdfvce.com will open immediately Study Integration-Architect Material
- Using Verified Integration-Architect Answers, Pass The Salesforce Certified Integration Architect Search for (Integration-Architect) and download it for free on ☀ www.verifiedumps.com ☀ website Integration-Architect Practice Questions
- 2026 Integration-Architect – 100% Free Verified Answers | Reliable Certification Integration-Architect Exam Dumps Open { www.pdfvce.com } enter { Integration-Architect } and obtain a free download Integration-Architect Trustworthy Dumps
- Using Verified Integration-Architect Answers, Pass The Salesforce Certified Integration Architect Open [www.validtorrent.com] enter > Integration-Architect < and obtain a free download Latest Integration-Architect Dumps Book
- Free PDF Quiz 2026 Salesforce Integration-Architect: Reliable Verified Salesforce Certified Integration Architect Answers Go to website ➡ www.pdfvce.com open and search for > Integration-Architect to download for free Integration-Architect Practice Exam Fee
- Actual Integration-Architect Test Latest Integration-Architect Dumps Book Integration-Architect Valid Exam Syllabus Immediately open (www.exam4labs.com) and search for Integration-Architect to obtain a free download Integration-Architect Clear Exam
- Free PDF Integration-Architect - Salesforce Certified Integration Architect Newest Verified Answers Download > Integration-Architect < for free by simply entering { www.pdfvce.com } website New Integration-Architect Braindumps Questions
- Valid Integration-Architect Vce Valid Integration-Architect Vce Test Integration-Architect Objectives Pdf Download { Integration-Architect } for free by simply entering (www.torrentvce.com) website Study Integration-Architect Material
- alyssacwgx377038.wikipublicity.com, www.stes.tyc.edu.tw, zubairstgv599855.techionblog.com, charliednjw311860.blazingblog.com, rebeccamcmw401214.fliplife-wiki.com, www.stes.tyc.edu.tw, carlywilh691355.spintheblog.com, getsocialnetwork.com, www.stes.tyc.edu.tw, murrayrlxz861997.daneblogger.com, Disposable vapes

P.S. Free & New Integration-Architect dumps are available on Google Drive shared by FreePdfDump:
https://drive.google.com/open?id=1MbXWH1nCG_oQdUBour1BwcKc6FiS3HKL