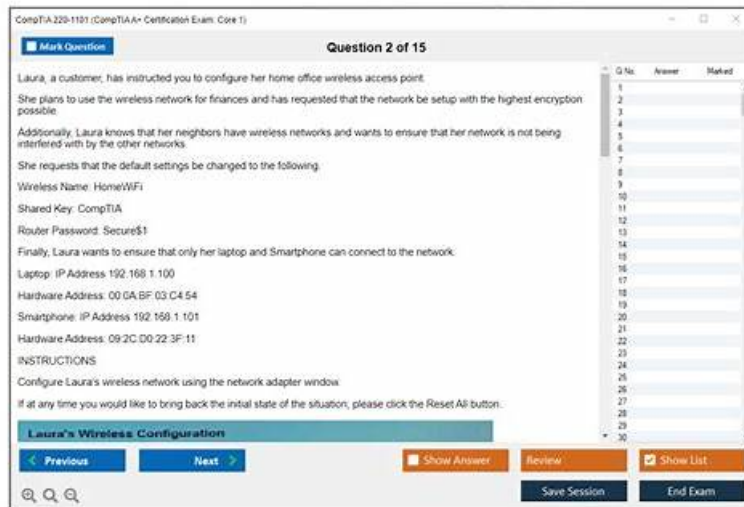


# 220-1101 Reliable Braindumps Files & Latest New Exam Simulator Ensure you High Pass Rate for 220-1101: CompTIA A+ Certification Exam: Core 1 Easily



What's more, part of that PassTestking 220-1101 dumps now are free: [https://drive.google.com/open?id=1rRpjIKxjww19\\_BJezN2QFCbDs4V\\_vLMw](https://drive.google.com/open?id=1rRpjIKxjww19_BJezN2QFCbDs4V_vLMw)

With experienced experts to compile and check the 220-1101 questions and answers, we have received many good feedbacks from our customers, and they also send some thankful email to us for helping them to pass the exam successfully. The pass rate is 98.75%, and money back guarantee if you fail to pass the exam. We also provide you the free update for one year after purchasing the 220-1101 Study Guide. If you have any questions, you can consult the service stuff.

CompTIA 220-1101 (CompTIA A+ Certification Exam: Core 1) Exam is a certification exam that tests the foundational knowledge and skills required for IT professionals seeking to enter the industry. 220-1101 exam is part of the CompTIA A+ certification program, which is a widely recognized and respected certification in the IT industry. 220-1101 Exam covers a range of topics, including hardware, software, networking, and troubleshooting.

>> 220-1101 Reliable Braindumps Files <<

## Pass Guaranteed 2026 Unparalleled 220-1101: CompTIA A+ Certification Exam: Core 1 Reliable Braindumps Files

With our users all over the world, you really should believe in the choices of so many people. Our advantage is very obvious. Of course, the right to choose is in your hands. What I want to say is that if you are eager to get an international 220-1101 Certification, you must immediately select our 220-1101 preparation materials. After you have studied for twenty to thirty hours on our 220-1101 exam questions, you can take the test. And your pass rate will reach 99%.

## CompTIA A+ Certification Exam: Core 1 Sample Questions (Q563-Q568):

### NEW QUESTION # 563

A small ISP has hired a new technician Joe, the new technician, is being trained to configure customers\* home networks The trailing instructor gives me technician a starter kit with cables, cable ends, and other network equipment and asks mm to build a working network.

The computer should be connected to have internet connectivity and the phone should be connected to have a dial tone.

### INSTRUCTIONS

Use the appropriate cables, cable ends, tools and equipment to configure the network ana connect an components accordingly There are 3 steps and the simulation starts on step 1.



**Answer:**

Explanation:

See the answer below in explanation part.

Explanation:

Answer of both steps below.

A picture containing text, screenshot, indoor Description automatically generated

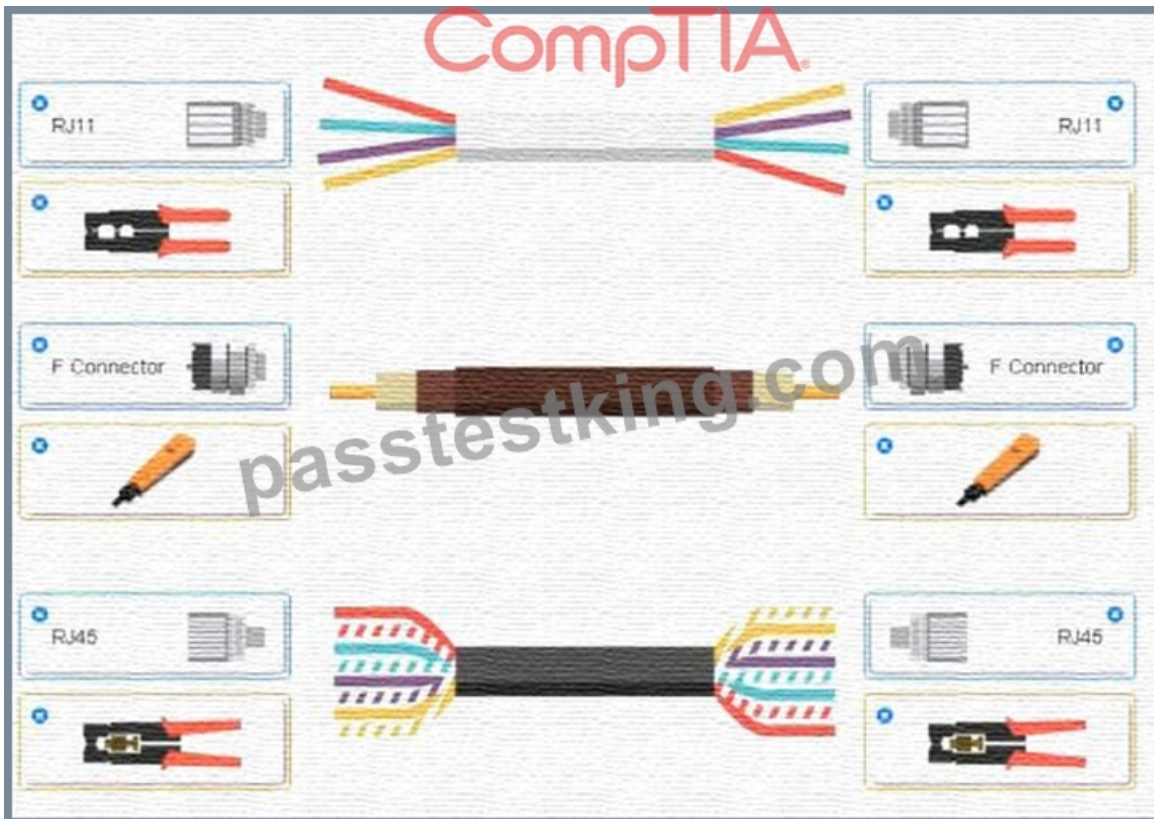
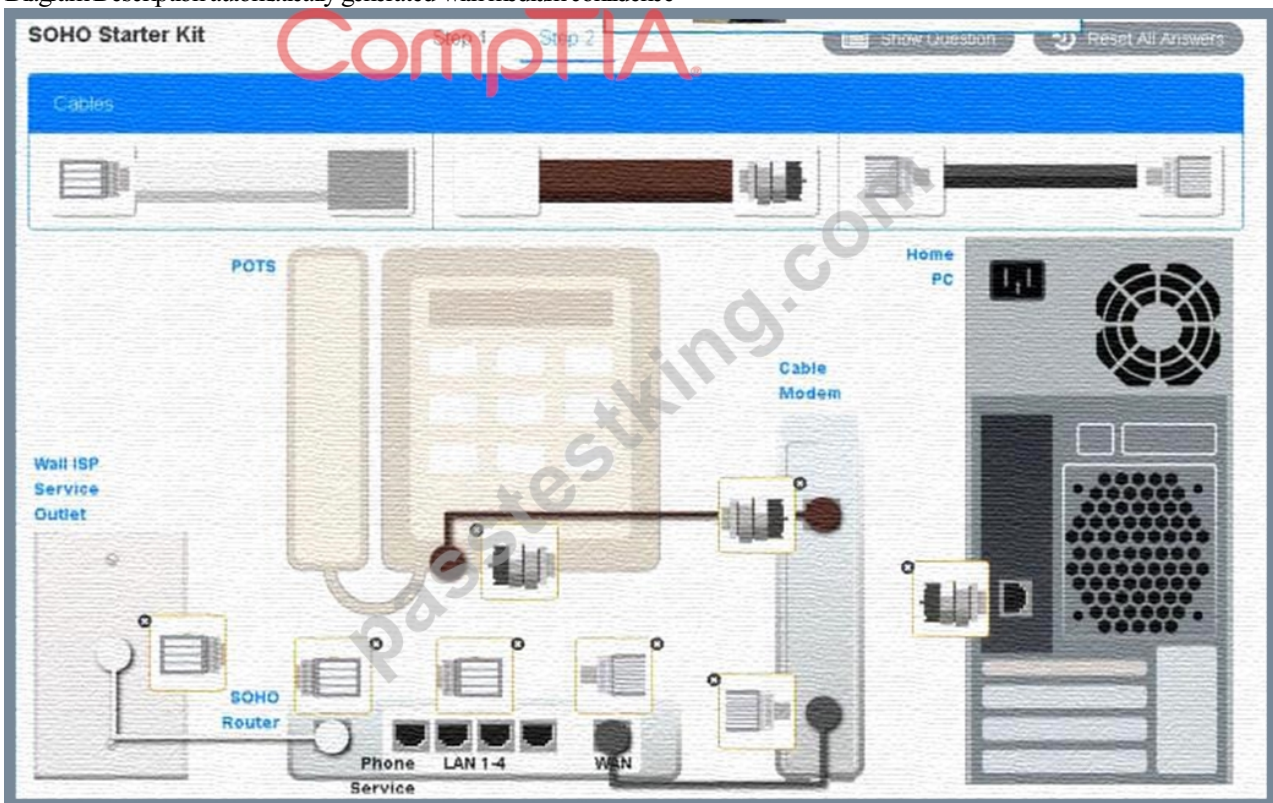


Diagram Description automatically generated with medium confidence



**NEW QUESTION # 564**

An end user needs to upgrade the hard drive on a laptop and wants one that is fast and shock resistant. Which of the following is the BEST option for this end user?

- A. NVMe SSD
- B. 5,400rpm HDD
- C. 7,200rpm HDD

- D. Hybrid HDD/SSD

**Answer: A**

Explanation:

Explanation

A non-volatile memory express (NVMe) solid state drive (SSD) is the best option for an end user who wants to upgrade the hard drive on a laptop and wants one that is fast and shock resistant. NVMe SSDs use flash memory and PCIe interface to achieve high performance and low latency. SSDs are also more shock resistant than hard disk drives (HDDs) because they have no moving parts. Hybrid HDD/SSD combines both technologies but does not offer the same speed or capacity as pure SSDs. A 5,400rpm HDD or a 7,200rpm HDD are slower and less shock resistant than SSDs

#### NEW QUESTION # 565

A user reports that when pressing a radio button on a tablet, an item a couple of inches to the right of the pressed button gets selected instead. Which of the following components may need to be replaced?

- A. Digitizer
- B. Battery
- C. Glass
- D. Gyroscope

**Answer: A**

Explanation:

A digitizer is a component that converts the touch input on a tablet screen into digital signals that can be processed by the device. A digitizer consists of a thin layer of transparent material that covers the glass screen and has sensors that detect the position and pressure of the touch. If the digitizer is damaged, misaligned, or poorly calibrated, it can cause inaccurate touch input, such as selecting the wrong item or not responding at all<sup>1</sup>. Therefore, the most likely cause of the issue in this scenario is a faulty digitizer that may need to be replaced. The other components are not directly related to the touch input functionality of the tablet. A gyroscope is a sensor that measures the orientation and rotation of the device<sup>3</sup>. A battery is a power source that supplies electricity to the device<sup>4</sup>. A glass is a protective layer that covers the screen and prevents scratches and cracks<sup>5</sup>.

References

- 1: What is a Digitizer? - Definition from Techopedia
- 2: How to Fix a Broken Digitizer on a Tablet | Chron.com
- 3: What is a Gyroscope Sensor in Mobile Phones? - Definition from Techopedia
- 4: What is a Battery? - Definition from Techopedia
- 5: What is Glass? - Definition from Techopedia

#### NEW QUESTION # 566

Several users who share a multifunction printer in an office have reported unintended, thin, vertical lines that cover the entire height of every page printed from the printer. Which of the following steps should a technician complete in order to MOST likely resolve this issue?

- A. Reinstall the printer driver on each computer
- B. Clear the print spooler on each computer.
- C. Replace the printer paper with a new ream.
- D. Perform the drum-cleaning procedure.

**Answer: D**

Explanation:

Explanation

Thin, vertical lines on every printed page are usually caused by a dirty drum or toner cartridge. Performing the drum-cleaning procedure will likely resolve the issue. References: CompTIA A+ Certification Exam Guide, Ninth Edition, Chapter 18

#### NEW QUESTION # 567

Which of the following special function keys is MOST likely to be used when configuring a laptop for a presentation?

