


Online H20-923_V1.0 Training & H20-923_V1.0 Latest Exam Cost



Section 1
Page 65

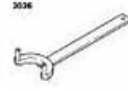

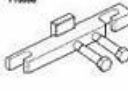


Service Training

12.03

1.6.7 REMOVING AND INSTALLING THE CAMSHAFT

REQUIRED SPECIAL TOOLS AND AUXILIARY DEVICES

- 3036 Holding device
- 3359 Retention pin
- T10098 Camshaft setting bar
- T40001 Puller
- V/159 Nut spanner Matra

3036 	3359 
T10098 	T40001 
V159 	302_01-150

REMOVING

- Slacken the toothed belt and remove it from the sprockets of the camshaft and the injection pump.
- NOTE:** The vibration damper/pulley and the toothed belt guard - central and lower part - need not be removed.
- Take the camshaft sprocket off.
 - First, remove the bearing caps 5, 1 und 3. Release the bearing caps 2 and 4 alternately in a cross pattern.

www.epcatalogs.com

P.S. Free 2026 Huawei H20-923_V1.0 dumps are available on Google Drive shared by Itcertmaster:
https://drive.google.com/open?id=1CKCKICBhTrDySS_loOwPTUdLib4HOcpS

To keep pace with the times, we believe science and technology can enhance the way people study. Especially in such a fast-paced living tempo, we attach great importance to high-efficient learning. Therefore, our H20-923_V1.0 study materials base on the past exam papers and the current exam tendency, and design such an effective simulation function to place you in the real exam environment. We promise to provide a high-quality simulation system with advanced H20-923_V1.0 Study Materials. With the simulation function, our H20-923_V1.0 training guide is easier to understand and pass the H20-923_V1.0 exam.

Eliminates confusion while taking the Huawei H20-923_V1.0 certification exam. Prepares you for the format of your H20-923_V1.0 exam dumps, including multiple-choice questions and fill-in-the-blank answers. Comprehensive, up-to-date coverage of the entire HCSP-Field-Data Center Facility V1.0 (H20-923_V1.0) certification curriculum. Huawei H20-923_V1.0 practice questions are based on recently released H20-923_V1.0 exam objectives.

>> **Online H20-923_V1.0 Training** <<

Huawei H20-923_V1.0 Dumps Obtain Exam Results Simply 2026

The advancements in computer technology are faster now than ever before, (at the same time) bringing much convenience to our daily life and work. Huawei H20-923_V1.0 braindumps materials can help workers pass exams and get certifications. If workers

get good computer certifications you will apply for good positions and get nice opportunities. H20-923_V1.0 Braindumps materials will assist you to achieve your ideal and may even change people's life.

Huawei H20-923_V1.0 Exam Syllabus Topics:

Topic	Details
Topic 1	<ul style="list-style-type: none"> Huawei DCIM Lab Guide: This topic is a broader practical lab section covering operational tasks, configuration, and troubleshooting exercises across Huawei DCIM platforms to build field-level proficiency.
Topic 2	<ul style="list-style-type: none"> FusionCol8000-C (110-440) In-Room Chilled Water Smart Cooling Product: This topic covers the FusionCol8000-C chilled water in-room cooling unit, including its product design, chilled water system integration, smart control features, and deployment scenarios.
Topic 3	<ul style="list-style-type: none"> SmartLi 3.0 (Short-Term Backup Power) Installation: This topic covers the installation procedures for the SmartLi 3.0 system, including hardware setup, cabling requirements, and commissioning steps.
Topic 4	<ul style="list-style-type: none"> Huawei UPS5000H Lab Guide: This is a heavily weighted hands-on lab section covering practical installation, commissioning, parameter configuration, and maintenance operations for the UPS5000H in a field-simulated environment.
Topic 5	<ul style="list-style-type: none"> Introduction to Huawei DCIM Controller ECC800-Pro: This topic introduces the ECC800-Pro Data Center Infrastructure Management controller, covering its architecture, core functions, and role in monitoring and managing data center facility equipment.
Topic 6	<ul style="list-style-type: none"> Data Center Cooling Solutions: This topic provides an overview of cooling technologies and strategies used in data centers, including air-side and water-side cooling architectures and Huawei's approach to thermal management.
Topic 7	<ul style="list-style-type: none"> Training on FusionDC1000A: This topic focuses on the FusionDC1000A prefabricated data center solution, covering its product features, deployment methods, and operational maintenance requirements.
Topic 8	<ul style="list-style-type: none"> Introduction to the Modular Data Center FusionModule2000: This topic introduces the FusionModule2000 modular data center, covering its design concepts, components, and the scenarios in which it is deployed.
Topic 9	<ul style="list-style-type: none"> Training on FusionModule2000 Deployment and Maintenance: This topic covers the practical aspects of setting up and maintaining the FusionModule2000, including installation procedures, configuration steps, and routine maintenance tasks.
Topic 10	<ul style="list-style-type: none"> Huawei DCIM Installation and Deployment Lab Guide: This topic is a guided hands-on section covering the step-by-step installation and initial deployment procedures for Huawei DCIM systems in a lab environment.
Topic 11	<ul style="list-style-type: none"> FusionCol8000-A230 In-Room Air Cooled (Air-Cooled Fan Wall) Smart Cooling Product: This topic addresses the FusionCol8000-A230 air-cooled fan wall solution, covering its working principles, product specifications, installation considerations, and smart cooling management capabilities.
Topic 12	<ul style="list-style-type: none"> iManager NetEco 6000 Product Introduction: This topic covers the iManager NetEco 6000 platform, explaining its capabilities as a network and infrastructure management tool used within Huawei data center environments.
Topic 13	<ul style="list-style-type: none"> Basic Knowledge of Power Distribution: This topic covers the fundamental concepts of power distribution within a data center, including electrical principles, distribution topologies, and key components such as switchgear and PDUs.

Topic 14

- Huawei Other DCIM Tools: This topic explores additional Huawei Data Center Infrastructure Management tools beyond the ECC800-Pro and NetEco 6000, covering their functions and how they complement the overall DCIM ecosystem.

Huawei HCSP-Field-Data Center Facility V1.0 Sample Questions (Q18-Q23):

NEW QUESTION # 18

Huawei-developed intelligent rPDU (PDU2000M) can replace the original UIM20A expansion module. The rPDU can connect to the cabinet temperature/humidity sensors, smart U space managers, and door status sensors.

- A. True
- B. False

Answer: A

Explanation:

In Huawei smart module monitoring architecture, the UIM20A expansion module is traditionally used to increase device ports so cabinets can connect multiple intelligent components and sensors (for example, door status and environmental sensors). Huawei also provides the intelligent rPDU PDU2000M, whose main control module includes communications and DI interfaces designed to directly connect cabinet-level intelligent devices for centralized monitoring and management. In Huawei's solution description for rPDU-monitoring networking, the PDU2000M is positioned to replace the expansion-module role, meaning that in applicable scenarios, cabinets can connect monitoring devices through the PDU2000M without deploying an additional UIM20A expansion module. This supports practical connections such as T/H sensors, smart U space managers, and door status/door-access related signals through the PDU2000M interfaces, and then these devices are managed/bound in the controller's smart module view. Huawei O&M guidance also emphasizes avoiding duplicate connections (do not connect the same device to both UIM20A and PDU2000M), aligning with the replacement concept. (Scribd)

NEW QUESTION # 19

In IT scenarios, which of the following are the power supply and distribution components of the FusionDC1000A?

- A. SmartLi
- B. Integrated UPS
- C. AC/DC power system
- D. Power PDB

Answer: A,B,D

Explanation:

In the FusionDC1000A IT scenario, the power chain is built around an AC input, conditioned backup power, energy storage, and final distribution to the IT racks. Integrated UPS is the core power-conditioning component, providing voltage and frequency stabilization and uninterrupted supply during mains disturbances. The UPS works together with SmartLi, Huawei's lithium battery system, which serves as the energy storage unit to sustain the load during outages and to support controlled shutdown or generator switchover. After UPS output, power is delivered to the IT loads through the Power PDB, which performs downstream distribution, branch protection, and organized cable termination toward rack PDUs or IT equipment feeders. By contrast, an AC/DC power system is typically associated with DC bus supply used in telecom-oriented or dedicated DC load scenarios, not the standard IT scenario architecture of FusionDC1000A that is centered on UPS plus battery plus AC distribution. Therefore, the correct components for IT scenarios are SmartLi, Power PDB, and Integrated UPS.

NEW QUESTION # 20

After the unit is powered on for the first time, it enters the compressor preheating state. To quickly perform power-on commissioning, you can manually shut down the compressor preheating.

- A. False
- B. True

Answer: A

Explanation:

Compressor preheating is a protection mechanism used during first power-on (and after long power-off periods) to improve compressor reliability before allowing refrigeration startup. The preheating function warms the compressor oil and reduces refrigerant migration and oil dilution, which otherwise can lead to liquid refrigerant in the compressor crankcase. If the compressor starts when oil is diluted or when liquid refrigerant is present, it increases the risk of abnormal noise, poor lubrication, high mechanical stress, and even liquid strike, which can damage the compressor and shorten service life. For data center cooling equipment, where continuous reliability is essential, the commissioning logic treats preheating as a required prerequisite for safe compressor operation. Therefore, O&M practice does not recommend bypassing or manually shutting down compressor preheating just to accelerate commissioning. The correct approach is to keep the unit energized and allow the preheating period to complete, then proceed with commissioning steps (fans, cooling system tests, alarms, and control verification) under proper protection conditions.

NEW QUESTION # 21

During routine maintenance of the lithium battery cabinet, which of the following procedure is true about replacing a faulty battery module?

- A. 1-2-3-6-5-7-4
- B. 1-3-2-6-5-7-4
- C. 1-6-2-5-3-7-4
- D. 1-6-3-2-5-7-4

Answer: D

Explanation:

The correct sequence prioritizes electrical safety first, then mechanical disassembly. You must confirm the batteries are not discharging (Step 1) to avoid working under load. Next, the cabinet must be placed into a safe powered-down state by switching off the battery circuit breaker and long-pressing the POWER ON/OFF button to power off the cabinet (Step 6). Only after the cabinet is safely powered down should you open up the working area by removing the front covers of the faulty module and adjacent modules (Step 3). Then you turn off the ready switch on the battery management module (Step 2) to prevent the system from re-enabling the module unexpectedly during maintenance. After that, you loosen the securing bolts and pull out the battery management module about 10 cm (Step 5) to create operating space and ensure isolation for subsequent operations. With the cabinet safely stopped, you can remove the cables and copper bars connected to the faulty module (Step 7), and finally remove the baffle plate and pull out the faulty battery module (Step 4).

NEW QUESTION # 22

Through device management, you can view the information about

- A. Overview
- B. Service period
- C. Signal
- D. Alarm

Answer: A,B,C,D

Explanation:

In Huawei smart module management (such as on the ECC800-Pro/WebUI), Device Management is used to centrally view and maintain managed objects (UPS, SmartLi, rPDU, sensors, air conditioners, etc.).

The Overview page provides a consolidated snapshot of a device's operating status, key parameters, running mode, and basic identification information so engineers can quickly judge whether the device is healthy and online. The Alarm view lists active and historical alarms related to the device, supporting rapid fault isolation and verification after recovery. The Signal view shows monitoring points and I/O status (including analog values and digital inputs/outputs where applicable), which helps engineers confirm sensor wiring, linkage logic, and real-time state changes during commissioning and troubleshooting. The Service period information is used for lifecycle and maintenance planning, such as tracking service time, maintenance intervals, or component life indicators where supported, enabling preventive maintenance and reducing unexpected downtime. Therefore, Device Management supports viewing all four categories.

NEW QUESTION # 23

.....

All kinds of exams are changing with dynamic society because the requirements are changing all the time. To keep up with the newest regulations of the H20-923_V1.0 exam, our experts keep their eyes focusing on it. Our H20-923_V1.0 exam torrent are updating according to the precise of the real exam. Our H20-923_V1.0 Test Prep to help you to conquer all difficulties you may encounter. Once you choose our H20-923_V1.0 quiz torrent, we will send the new updates for one year long, which is new enough to deal with the exam for you and guide you through difficulties in your exam preparation.

H20-923_V1.0 Latest Exam Cost: https://www.itcertmaster.com/H20-923_V1.0.html

- H20-923_V1.0 dumps: HCSP-Field-Data Center Facility V1.0 - H20-923_V1.0 exam VCE ☐ Search for [H20-923_V1.0] and download it for free on “www.examcollectionpass.com” website ☐ Latest H20-923_V1.0 Braindumps Free
- H20-923_V1.0 Latest Dumps Pdf ☐ Practice H20-923_V1.0 Test ☐ Latest H20-923_V1.0 Braindumps Free ☐ The page for free download of ⇒ H20-923_V1.0 ⇐ on “www.pdfvce.com” will open immediately ☐ H20-923_V1.0 Reliable Test Test
- Reliable H20-923_V1.0 Test Price ☐ H20-923_V1.0 Study Group ☐ H20-923_V1.0 Lab Questions ☐ Download ☐ H20-923_V1.0 ☐ for free by simply searching on ☐ www.pdfdumps.com ☐ ☐ H20-923_V1.0 Reliable Test Test
- H20-923_V1.0 Latest Test Online ☐ Latest H20-923_V1.0 Braindumps Free ☐ Practice H20-923_V1.0 Test ☐ Open ☀ www.pdfvce.com ☐ ☀ ☐ and search for ➔ H20-923_V1.0 ☐ to download exam materials for free ☐ H20-923_V1.0 Reliable Test Test
- H20-923_V1.0 Study Group ☐ Exam Dumps H20-923_V1.0 Demo ☐ H20-923_V1.0 Study Group ☐ Search on “www.examcollectionpass.com” for ▷ H20-923_V1.0 ◁ to obtain exam materials for free download ☐ Reliable H20-923_V1.0 Test Questions
- HCSP-Field-Data Center Facility V1.0 certkingdom actual exam dumps - H20-923_V1.0 pdf practice ☐ Search for ➔ H20-923_V1.0 ☐ ☐ ☐ and easily obtain a free download on [www.pdfvce.com] ☐ Reliable H20-923_V1.0 Test Camp
- Excellent Online H20-923_V1.0 Training – 100% High-quality HCSP-Field-Data Center Facility V1.0 Latest Exam Cost ☐ ☐ Simply search for ☐ H20-923_V1.0 ☐ for free download on ➔ www.dumpsquestion.com ☐ ☐ H20-923_V1.0 Pdf Braindumps
- 100% Pass 2026 Huawei H20-923_V1.0 Updated Online Training 🌐 Open 【 www.pdfvce.com 】 and search for 【 H20-923_V1.0 】 to download exam materials for free ☐ Pdf H20-923_V1.0 Files
- Huawei H20-923_V1.0 Questions Can Help you Pass Exam [2026] ☐ Search on ▷ www.pass4test.com ◁ for (H20-923_V1.0) to obtain exam materials for free download ☐ H20-923_V1.0 Reliable Test Test
- H20-923_V1.0 Latest Dumps Pdf ☐ H20-923_V1.0 Pdf Braindumps ☐ H20-923_V1.0 Vce Download ☐ Simply search for [H20-923_V1.0] for free download on 「 www.pdfvce.com 」 ☐ H20-923_V1.0 Exam Answers
- Huawei H20-923_V1.0 Questions Can Help you Pass Exam [2026] ☐ Immediately open ➤ www.validtorrent.com ☐ and search for ▶ H20-923_V1.0 ◀ to obtain a free download ☐ Exam H20-923_V1.0 Answers
- myportal.utt.edu.tt, myportal.utt.edu.tt, myportal.utt.edu.tt, myportal.utt.edu.tt, myportal.utt.edu.tt, myportal.utt.edu.tt, myportal.utt.edu.tt, myportal.utt.edu.tt, myportal.utt.edu.tt, myportal.utt.edu.tt, www.stes.tyc.edu.tw, socialwebleads.com, bookmarksfocus.com, directmysocial.com, bookmark-group.com, jeanewlu036861.blogtov.com, janannyx385108.wikiconverse.com, junaidjlhy717346.blogars.com, francesterf057759.blog5star.com, Disposable vapes

BONUS!!! Download part of Itcertmaster H20-923_V1.0 dumps for free: https://drive.google.com/open?id=1CKCKICBhTrDyss_loOwPTUdLib4HOcpS