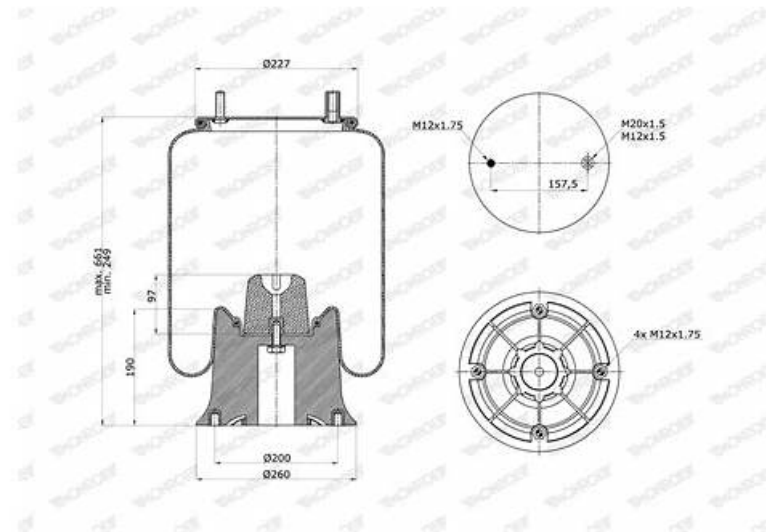


SAP C_ARSUM_2508 New Braindumps Sheet | Exam C_ARSUM_2508 Success



P.S. Free & New C_ARSUM_2508 dumps are available on Google Drive shared by BraindumpStudy: https://drive.google.com/open?id=1aWxcGXtqV_ir4C2Nd1CipoPHDYxQvt9d

We have to admit that the exam of gaining the C_ARSUM_2508 certification is not easy for a lot of people, especial these people who have no enough time. If you also look forward to change your present boring life, maybe trying your best to have the C_ARSUM_2508 certification is a good choice for you. Now it is time for you to take an exam for getting the certification. If you have any worry about the C_ARSUM_2508 Exam, do not worry, we are glad to help you. Because the C_ARSUM_2508 study materials from our company are very useful for you to pass the exam and get the certification.

SAP C_ARSUM_2508 Exam Syllabus Topics:

Topic	Details
Topic 1	<ul style="list-style-type: none"> Managing Clean Core: This section of the exam measures the skills of SAP Consultants and covers the ability to maintain a clean digital core within the SAP ecosystem. It ensures candidates understand how to preserve system stability, minimize customizations, and keep solutions aligned with SAP standards.
Topic 2	<ul style="list-style-type: none"> SAP Ariba Supplier Lifecycle Management Users and Supplier Contacts: This section of the exam measures the skills of Procurement Specialists and covers managing users, supplier contacts, and access roles within Supplier Lifecycle Management. It ensures candidates understand user assignments and supplier collaboration.
Topic 3	<ul style="list-style-type: none"> SAP Ariba Supplier Performance Management Surveys and Scorecards: This section of the exam measures the skills of Procurement Specialists and covers creating, managing, and analyzing surveys and scorecards to evaluate supplier performance. It focuses on methods of capturing feedback and structuring supplier evaluations.
Topic 4	<ul style="list-style-type: none"> Supplier Lifecycle Management Components: This section of the exam measures the skills of SAP Consultants and covers the various components of Supplier Lifecycle Management. It introduces how each component contributes to onboarding, qualification, and ongoing supplier engagement processes.
Topic 5	<ul style="list-style-type: none"> SAP Ariba Supplier Performance Management Projects: This section of the exam measures the skills of SAP Consultants and covers how to set up, manage, and track supplier performance management projects. It emphasizes basic project structures and monitoring frameworks within SAP Ariba.

Topic 6	<ul style="list-style-type: none"> • Workspace Template Management: This section of the exam measures the skills of SAP Consultants and covers the setup and use of workspace templates within SAP Ariba. It ensures candidates can apply templates for consistency, efficiency, and compliance across supplier management processes.
Topic 7	<ul style="list-style-type: none"> • SAP Ariba Supplier Management Portfolio Overview: This section of the exam measures the skills of Procurement Specialists and covers the foundational understanding of the SAP Ariba Supplier Management portfolio. It highlights how the portfolio supports supplier onboarding, qualification, performance tracking, and risk management within enterprise procurement.
Topic 8	<ul style="list-style-type: none"> • Supplier Risk Administration: This section of the exam measures the skills of Procurement Specialists and covers the administrative functions of supplier risk management. It includes handling system configurations, reporting, and applying controls to ensure suppliers meet compliance and risk standards.
Topic 9	<ul style="list-style-type: none"> • Supplier Risk Management: This section of the exam measures the skills of SAP Consultants and covers the understanding of Supplier Risk Management within SAP Ariba. It emphasizes monitoring, identifying, and mitigating supplier risks that may impact business operations.

>> SAP C_ARSUM_2508 New Braindumps Sheet <<

Comprehensive, up-to-date coverage of the entire C_ARSUM_2508 SAP Certified Associate - Implementation Consultant - SAP Ariba Supplier Management curriculum

The C_ARSUM_2508 pdf dumps file is the most efficient and time-saving method of preparing for the SAP C_ARSUM_2508 exam. SAP C_ARSUM_2508 dumps pdf can be used at any time or place. You can use your pc, tablet, smartphone, or any other device to get C_ARSUM_2508 PDF Question files. And price is affordable.

SAP Certified Associate - Implementation Consultant - SAP Ariba Supplier Management Sample Questions (Q56-Q61):

NEW QUESTION # 56

Your customer wants to restrict the visibility of supplier bank account and routing numbers to its accounts payable department. Which option do you recommend?

- A. Set the Visible to Participant field to No.
- B. Apply a visibility condition to both questions.
- C. Assign the Supplier Registration Manager group to accounts payable users.
- **D. Use the Sensitive Data Mask Pattern field.**

Answer: D

NEW QUESTION # 57

You configure the supplier database field mappings and want confirmation that a field has been mapped correctly. What action would you take to validate field mapping entries?

- A. Click the Apply Field Restrictions button.
- B. Select the answer type.
- **C. Enable synching between SAP ERP and SAP Ariba.**
- D. Enter a value for validation pattern.

Answer: C

NEW QUESTION # 58

On which elements of the engagement is the Residual Risk field in the engagement summary based?

- A. Answers to the inherent risk screening questionnaire
- B. Grades submitted on risk assessment questionnaires
- **C. Issues created during the engagement request process**
- D. Controls triggered during the engagement request process

Answer: C

NEW QUESTION # 59

Which of the following actions are available from the Registration area in the supplier 360° profile? Note: There are 3 correct answers to this question.

- A. Invite or re-invite a new supplier to register.
- **B. Initiate a new qualification for a registered supplier.**
- C. Send a modular question naire to the supplier.
- **D. See the answers to the registration questionnaires.**
- **E. Track the progress of the registration on the status graph.**

Answer: B,D,E

NEW QUESTION # 60

You are creating an advanced approval rule in a project template.

Which component in the Approval Rule Editor defines the criteria that must be met to activate an approval node?

- A. Rule Title
- B. Rule Description
- **C. Condition**
- D. Action

Answer: C

NEW QUESTION # 61

.....

Over the past few years, we have gathered hundreds of industry experts, defeated countless difficulties, and finally formed a complete learning product - C_ARSUM_2508 test answers, which are tailor-made for students who want to obtain SAP certificates. According to statistics, by far, our C_ARSUM_2508 Guide Torrent has achieved a high pass rate of 98% to 99%, which exceeds all others to a considerable extent. At the same time, there are specialized staffs to check whether the SAP Certified Associate - Implementation Consultant - SAP Ariba Supplier Management test torrent is updated every day.

Exam C_ARSUM_2508 Success: https://www.braindumpstudy.com/C_ARSUM_2508_braindumps.html

- C_ARSUM_2508 Sure Pass C_ARSUM_2508 Sure Pass C_ARSUM_2508 Simulation Questions Download C_ARSUM_2508 for free by simply entering www.examcollectionpass.com website C_ARSUM_2508 Valid Real Test
- Free PDF Quiz 2026 SAP Marvelous C_ARSUM_2508: SAP Certified Associate - Implementation Consultant - SAP Ariba Supplier Management New Braindumps Sheet Search for **【 C_ARSUM_2508 】** and easily obtain a free download on www.pdfvce.com C_ARSUM_2508 Pass Leader Dumps
- 100% Pass Quiz C_ARSUM_2508 - SAP Certified Associate - Implementation Consultant - SAP Ariba Supplier Management Fantastic New Braindumps Sheet Immediately open **【 www.validtorrent.com 】** and search for www.validtorrent.com to obtain a free download C_ARSUM_2508 Exam Success
- Original C_ARSUM_2508 Questions C_ARSUM_2508 Actual Dump Exam C_ARSUM_2508 Tutorials Simply search for C_ARSUM_2508 for free download on www.pdfvce.com Valid C_ARSUM_2508 Dumps Demo
- SAP - High Pass-Rate C_ARSUM_2508 New Braindumps Sheet Search on “www.examcollectionpass.com” for **【 C_ARSUM_2508 】** to obtain exam materials for free download Exam C_ARSUM_2508 Tutorials
- C_ARSUM_2508 Exam Success C_ARSUM_2508 Practice Test Engine New C_ARSUM_2508 Test Notes

Immediately open ➔ www.pdfvce.com and search for **【 C_ARSUM_2508 】** to obtain a free download Exam C_ARSUM_2508 Tutorials

- Avail Unparalleled C_ARSUM_2508 New Braindumps Sheet to Pass C_ARSUM_2508 on the First Attempt The page for free download of (C_ARSUM_2508) on [www.testkingpass.com] will open immediately Reliable C_ARSUM_2508 Exam Syllabus
- Reliable C_ARSUM_2508 Exam Syllabus Valid C_ARSUM_2508 Dumps Demo Study C_ARSUM_2508 Dumps The page for free download of C_ARSUM_2508 on ⇒ www.pdfvce.com will open immediately C_ARSUM_2508 Latest Exam Online
- C_ARSUM_2508 Exam Success Reliable C_ARSUM_2508 Exam Simulations New C_ARSUM_2508 Test Notes Simply search for ➔ C_ARSUM_2508 for free download on { www.practicevce.com } Practice C_ARSUM_2508 Exams
- Valid C_ARSUM_2508 Dumps Demo C_ARSUM_2508 Pass Leader Dumps New C_ARSUM_2508 Test Notes Search for (C_ARSUM_2508) and download exam materials for free through www.pdfvce.com C_ARSUM_2508 Latest Exam Online
- C_ARSUM_2508 Reliable Exam Questions C_ARSUM_2508 Exam Success Exam C_ARSUM_2508 Tutorials Search on [www.testkingpass.com] for ➤ C_ARSUM_2508 to obtain exam materials for free download C_ARSUM_2508 Reliable Exam Questions
- www.stes.tyc.edu.tw, aliviauaqk890770.verybigblog.com, mayateln263941.blog2news.com, bookmark-template.com, hocnhanh.online, hamzawudl982995.wikiconversation.com, social-medialink.com, tesswjmg216267.angelinsblog.com, alyssadver690440.onzeblog.com, zp.donglionline.com, Disposable vapes

DOWNLOAD the newest BraindumpStudy C_ARSUM_2508 PDF dumps from Cloud Storage for free:
https://drive.google.com/open?id=1aWxcGXtqV_ir4C2Nd1CipoPHDYxQvt9d