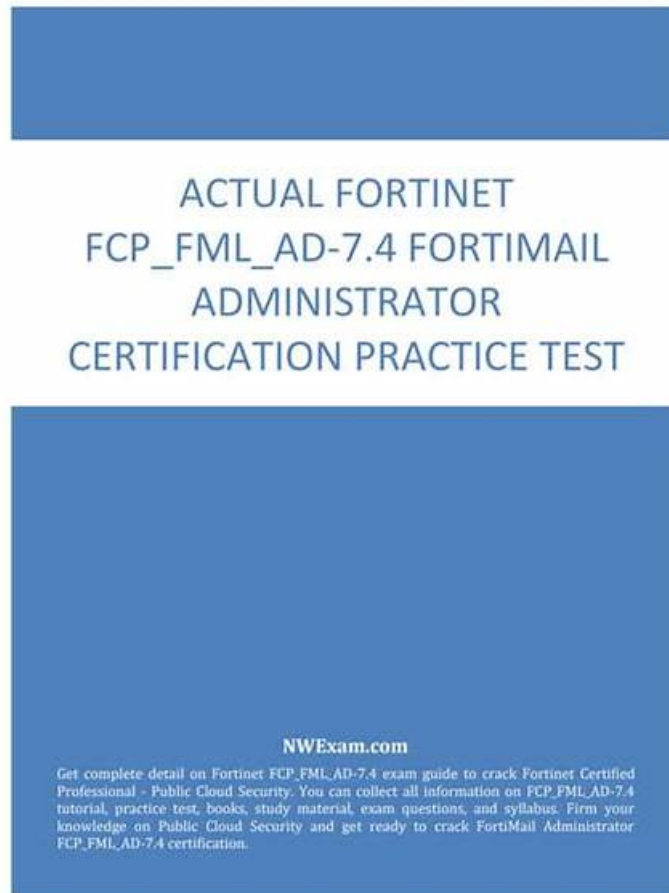


# Vce FCP\_FML\_AD-7.4 Format - Reliable FCP\_FML\_AD-7.4 Cram Materials



P.S. Free 2026 Fortinet FCP\_FML\_AD-7.4 dumps are available on Google Drive shared by PassCollection:  
<https://drive.google.com/open?id=1IpwITZFGLesWZSpkJdAr96MKxELHm5FJ>

As the famous brand PassCollection, even though we have been very successful we have never satisfied with the status quo, and always be willing to constantly update the contents of our FCP\_FML\_AD-7.4 exam torrent. Most important of all, as long as we have compiled a new version of the FCP\_FML\_AD-7.4 guide torrent, we will send the latest version of our FCP\_FML\_AD-7.4 Training Materials to our customers for free during the whole year after purchasing. We will continue to bring you integrated FCP\_FML\_AD-7.4 guide torrent to the demanding of the ever-renewing exam, which will help you pass the FCP\_FML\_AD-7.4 exam.

In order to gain more competitive advantages when you are going for a job interview, more and more people have been longing to get a FCP\_FML\_AD-7.4 certification. They think the certification is the embodiment of their ability; they are already convinced that getting a FCP\_FML\_AD-7.4 certification can help them look for a better job. There is no doubt that it is very difficult for most people to pass the FCP\_FML\_AD-7.4 Exam and have the certification easily. If you are also weighted with the trouble about a FCP\_FML\_AD-7.4 certification, we are willing to soothe your trouble and comfort you.

>> Vce FCP\_FML\_AD-7.4 Format <<

**Accurate Vce FCP\_FML\_AD-7.4 Format - Valuable & Professional  
FCP\_FML\_AD-7.4 Materials Free Download for Fortinet FCP\_FML\_AD-  
7.4 Exam**

Unlike some products priced heavily and too heavy to undertake, our FCP\_FML\_AD-7.4 practice materials are reasonable in price. So our FCP\_FML\_AD-7.4 guide dumps are financially desirable. On the other side, Products are purchasable, knowledge is not, and our FCP\_FML\_AD-7.4 practice materials can teach you knowledge rather than charge your money. As well as free demos of FCP\_FML\_AD-7.4 real exam for your reference, you can download them before purchase.

## Fortinet FCP\_FML\_AD-7.4 Exam Syllabus Topics:

Topic	Details
Topic 1	<ul style="list-style-type: none"> <li>Initial Deployment and Basic Configuration: This section of the exam measures skills of a Network Security Administrator and covers the foundational setup of FortiMail. It includes understanding SMTP and email flow, performing initial configurations such as selecting operation mode, system settings, and defining protected domains. It also involves deploying FortiMail in high-availability clusters to ensure service continuity.</li> </ul>
Topic 2	<ul style="list-style-type: none"> <li>Email Security: This section of the exam measures skills of a Network Security Administrator and deals with implementing security controls to filter and manage email threats. Candidates must configure session-based filtering, spam detection methods, malware protection, APT mitigation, and content filtering. The section also includes email archiving configurations for compliance and storage.</li> </ul>
Topic 3	<ul style="list-style-type: none"> <li>Encryption: This section of the exam measures skills of a Messaging Security Engineer and addresses the implementation of encryption methods in FortiMail. It covers traditional SMTP encryption and identity-based encryption (IBE). Candidates are expected to configure these technologies and manage IBE users for secure email communication.</li> </ul>
Topic 4	<ul style="list-style-type: none"> <li>Server Mode and Transparent Mode: This section of the exam measures skills of a Network Security Administrator and explains how to deploy and manage FortiMail in different operation modes. It includes configuring server mode to handle mail directly and deploying FortiMail in transparent mode where it acts as a gateway to filter email traffic without altering the existing mail infrastructure.</li> </ul>
Topic 5	<ul style="list-style-type: none"> <li>Email Flow and Authentication: This section of the exam measures skills of a Messaging Security Engineer and focuses on configuring FortiMail to handle email flow securely. It includes enabling and matching authentication protocols, setting up secure MTA features, and implementing access control, IP policies, and recipient-based policies to control mail delivery and security.</li> </ul>

## Fortinet FCP - FortiMail 7.4 Administrator Sample Questions (Q41-Q46):

NEW QUESTION # 41



Refer to the exhibits, which shows a DLP scan profile configuration (DLP Scan Rule 1 and DLP Scan Rule 2) from a FortiMail device.

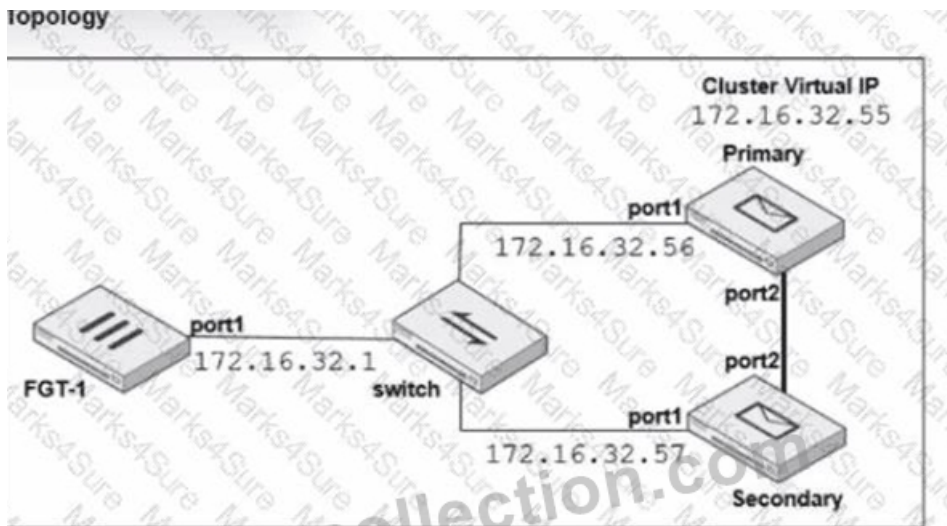
Which two message types will trigger this DLP scan rule? (Choose two.)

- A. An email message that contains credit card numbers in the body will trigger this scan rule.
- B. An email message with a subject that contains the term 'credit card' will trigger this scan rule.
- C. An email that contains credit card numbers in the body, attachment, and subject will trigger this scan rule.
- D. An email sent from sales@internal.lac will trigger this scan rule, even without matching any conditions.

Answer: A,B

#### NEW QUESTION # 42

Refer to the exhibits.



### HA Interface Configuration

HA Interface	
Port	port1
Enable port monitor	<input type="checkbox"/>
Heartbeat status	Disable
Peer IP address:	0.0.0.0
Peer IPv6 address:	::
Virtual IP action	Ignore
Virtual IP address	0.0.0.0 / 0
Virtual IPv6 address	0 / 0

The exhibits display a topology diagram of a FortiMail cluster (Topology) and the primary HA interface configuration of the Primary FortiMail (HA Interface Configuration) Which three actions are recommended when configuring the primary FortiMail HA interface? (Choose three.)

- A. In the Heartbeat status drop-down list, select Primary
- B. Disable Enable port monitor
- C. In the Virtual IP address field, type 172.16.32.55/24
- D. In the Virtual IP action drop-down list, select Use
- E. In the Peer IP address field, type 172.16.32.57

Answer: C,D,E

### NEW QUESTION # 43

In which two places can the maximum email size be overridden on FortiMail? (Choose two.)

- A. Resource Profile configuration
- B. Protected Domain configuration
- C. IP Policy configuration
- D. Session Profile configuration

Answer: A,B

### NEW QUESTION # 44

Exhibit.



Refer to the exhibit, which shows the IBE Encryption page of a FortiMail device. Which user account behavior can you expect from these IBE settings?

- A. IBE user accounts will expire after 90 days of inactivity and must register again to access new IBE email message.
- B. After initial registration, IBE users can access the secure portal without authenticating again for 90 days.
- C. First time IBE users must register to access their email within 90 days of receiving the notification email message
- D. Registered IBE users have 90 days from the time they receive a notification email message to access their IBE email.

Answer: A

#### NEW QUESTION # 45

Refer to the exhibit which shows a detailed history log view.

Column	Content
#	1
Date	2021-06-24
Time	13:29:02.021
Classifier	Virus Signature
Disposition	Modify Subject;Replace
From	extuser@external.Jab
Header From	extuser@external.Jab
To	user1@internal.Jab
Subject	Registration information enclosed
Message-ID	20210624132901.15ODT1TNd01852@external.Jab
Length	936
Session ID	15OKT1Bx002399-15OKT1C1002399
Client IP	100.64.1.99

Location	ZZ (Reserved)
Client Name	extsrv
Direction	in
Policy ID	0:1:1:internal:lab
Domain	internal:lab
Destination IP	10.0.1.11
Source	External
Mailer	mta
Virus	EICAR_TEST_FILE
Resolved	FORGED
Transfer Time	0.051818
Scan Time	0.017337
Level	information
Log ID	0200002400
Type	statistics

Which two actions did FortiMail take on this email message? (Choose two.)

- A. FortiMail replaced the virus content with a message
- B. FortiMail sent the email message to User 1's personal quarantine.
- C. FortiMail forwarded the email to User 1 without scanning.
- D. FortiMail modified the subject of the email message.

Answer: A,D

#### NEW QUESTION # 46

.....

The remarkably distinguished results FCP\_FML\_AD-7.4 are enough to provide a reason for PassCollection's huge clientele and obviously the best proof of its outstanding products. This is the reason that professionals find our FCP\_FML\_AD-7.4 exam questions and answers products worthier than exam collection's or PassCollection's dumps. Above all, it is the assurance of passing the exam with PassCollection 100% money back guarantee that really distinguishes our Top FCP\_FML\_AD-7.4 Dumps.

**Reliable FCP\_FML\_AD-7.4 Cram Materials:** [https://www.passcollection.com/FCP\\_FML\\_AD-7.4\\_real-exams.html](https://www.passcollection.com/FCP_FML_AD-7.4_real-exams.html)

- First-grade Vce FCP\_FML\_AD-7.4 Format - Passing FCP\_FML\_AD-7.4 Exam is No More a Challenging Task   
Easily obtain free download of **FCP\_FML\_AD-7.4**  by searching on **www.examcollectionpass.com**    
FCP\_FML\_AD-7.4 Valid Study Notes
- Providing You High Hit Rate Vce FCP\_FML\_AD-7.4 Format with 100% Passing Guarantee  Open website   
[www.pdfvce.com](http://www.pdfvce.com)  and search for  FCP\_FML\_AD-7.4  for free download Valid FCP\_FML\_AD-7.4 Braindumps
- 100% Pass Quiz 2026 Fortinet High Pass-Rate Vce FCP\_FML\_AD-7.4 Format  Search for **FCP\_FML\_AD-7.4**    
and download it for free immediately on  [www.practicevce.com](http://www.practicevce.com)  Real FCP\_FML\_AD-7.4 Braindumps
- Fortinet FCP\_FML\_AD-7.4 PDF Dumps file  Open website  [www.pdfvce.com](http://www.pdfvce.com)  and search for **FCP\_FML\_AD-7.4**    
for free download Test FCP\_FML\_AD-7.4 Guide Online
- 100% Pass Quiz 2026 Fortinet High Pass-Rate Vce FCP\_FML\_AD-7.4 Format  Search for **FCP\_FML\_AD-7.4**

- and download exam materials for free through [www.troytecdumps.com](http://www.troytecdumps.com)  [FCP\\_FML\\_AD-7.4 Valid Study Notes](#)
- Practice FCP\_FML\_AD-7.4 Questions  Practice FCP\_FML\_AD-7.4 Questions  Practice FCP\_FML\_AD-7.4 Questions  Search for [FCP\\_FML\\_AD-7.4](#)  and download it for free on [www.pdfvce.com](http://www.pdfvce.com)   website  [Brain Dump FCP\\_FML\\_AD-7.4 Free](#)
  - FCP\_FML\_AD-7.4 Examcollection  Valid FCP\_FML\_AD-7.4 Braindumps  Valid FCP\_FML\_AD-7.4 Braindumps  Simply search for ( FCP\_FML\_AD-7.4 ) for free download on ( [www.prepawaypdf.com](http://www.prepawaypdf.com) )  [FCP\\_FML\\_AD-7.4 Examcollection](#)
  - 100% Pass Quiz 2026 Fortinet High Pass-Rate Vce FCP\_FML\_AD-7.4 Format  Download [ FCP\_FML\_AD-7.4 ] for free by simply entering [www.pdfvce.com](http://www.pdfvce.com)  website  [Brain Dump FCP\\_FML\\_AD-7.4 Free](#)
  - Latest FCP\_FML\_AD-7.4 Exam Vce  Real FCP\_FML\_AD-7.4 Braindumps  FCP\_FML\_AD-7.4 New Braindumps Free  Simply search for [FCP\\_FML\\_AD-7.4](#)   for free download on [www.validtorrent.com](http://www.validtorrent.com)  [Key FCP\\_FML\\_AD-7.4 Concepts](#)
  - FCP\_FML\_AD-7.4 Pass4sure Exam Prep  FCP\_FML\_AD-7.4 Practice Guide  FCP\_FML\_AD-7.4 Best Preparation Materials  Search for { FCP\_FML\_AD-7.4 } and easily obtain a free download on ( [www.pdfvce.com](http://www.pdfvce.com) )  [FCP\\_FML\\_AD-7.4 Valid Test Registration](#)
  - FCP\_FML\_AD-7.4 Practice Exam Online  Test FCP\_FML\_AD-7.4 Dumps Demo  Test FCP\_FML\_AD-7.4 Dumps Demo  Easily obtain [FCP\\_FML\\_AD-7.4](#)  for free download through [www.vce4dumps.com](http://www.vce4dumps.com)   [Certification FCP\\_FML\\_AD-7.4 Test Questions](#)
  - [fraservyam571846.kylieblog.com](http://fraservyam571846.kylieblog.com), [keithgkji118273.blogdal.com](http://keithgkji118273.blogdal.com), [berthazalw484516.pennywiki.com](http://berthazalw484516.pennywiki.com), [macieowhd362215.blogacep.com](http://macieowhd362215.blogacep.com), [thesocialroi.com](http://thesocialroi.com), [elaineaamp081671.bloggerchest.com](http://elaineaamp081671.bloggerchest.com), [bookmark-master.com](http://bookmark-master.com), [bookmarkingbay.com](http://bookmarkingbay.com), [jimbjt871526.blogozz.com](http://jimbjt871526.blogozz.com), [alvinfcq487547.blogofchange.com](http://alvinfcq487547.blogofchange.com), Disposable vapes

P.S. Free 2026 Fortinet FCP\_FML\_AD-7.4 dumps are available on Google Drive shared by PassCollection:  
<https://drive.google.com/open?id=1IpwITZFGLesWZSpkJdAr96MKxELHm5FJ>