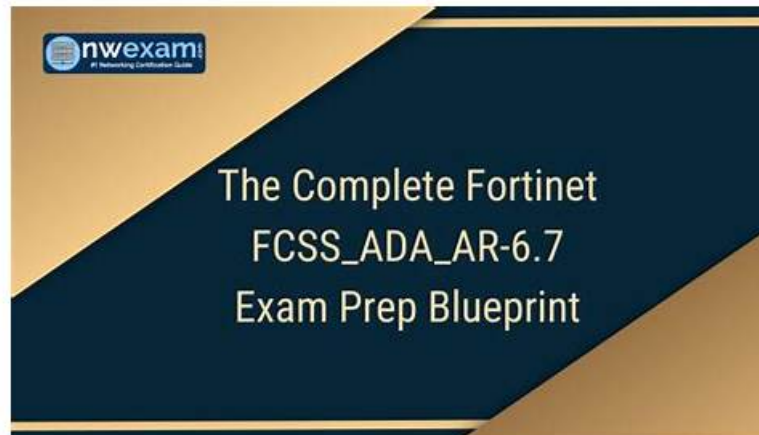


# Marvelous FCSS\_CDS\_AR-7.6 Exam Outline & Leading Offer in Qualification Exams & Trusted FCSS\_CDS\_AR-7.6 Trustworthy Source



BTW, DOWNLOAD part of Pass4Leader FCSS\_CDS\_AR-7.6 dumps from Cloud Storage: <https://drive.google.com/open?id=1OYICqoHlOMVArJxCmU1L167MXr2GIEh>

Once you compare our FCSS\_CDS\_AR-7.6 study materials with the annual real exam questions, you will find that our FCSS\_CDS\_AR-7.6 exam questions are highly similar to the real exam questions. We have strong strengths to assist you to pass the exam. All in all, we hope that you are brave enough to challenge yourself. Our FCSS\_CDS\_AR-7.6 learning prep will live up to your expectations. It will be your great loss to miss our FCSS\_CDS\_AR-7.6 practice engine.

Individuals who pass the FCSS - Public Cloud Security 7.6 Architect (FCSS\_CDS\_AR-7.6) certification exam demonstrate to their employers and clients that they have the knowledge and skills necessary to succeed in the industry. Pass4Leader is aware that preparing with outdated FCSS - Public Cloud Security 7.6 Architect (FCSS\_CDS\_AR-7.6) study material results in a loss of time and money.

>> FCSS\_CDS\_AR-7.6 Exam Outline <<

## FCSS\_CDS\_AR-7.6 Practice Guide Give You Real FCSS\_CDS\_AR-7.6 Learning Dumps

Our company is widely acclaimed in the industry, and our FCSS\_CDS\_AR-7.6 study materials have won the favor of many customers by virtue of their high quality. Started when the user needs to pass the qualification test, choose the FCSS\_CDS\_AR-7.6 study materials, they will not have any second or even third backup options, because they will be the first choice of our practice exam materials. Our FCSS\_CDS\_AR-7.6 Study Materials are devoted to research on which methods are used to enable users to pass the test faster.

### Fortinet FCSS\_CDS\_AR-7.6 Exam Syllabus Topics:

Topic	Details
Topic 1	<ul style="list-style-type: none"><li>• <b>Cloud Infrastructure Monitoring:</b> Cloud Security Engineers are assessed on their ability to monitor cloud networks and workloads using both cloud provider native tools and Fortinet's monitoring solutions. This section includes overseeing AWS and Azure network health and security posture to ensure continuous visibility and threat detection in cloud environments.</li></ul>
Topic 2	<ul style="list-style-type: none"><li>• <b>Troubleshooting and Connectivity Management:</b> Targeting DevOps Engineers, this section focuses on diagnosing and resolving connectivity problems within AWS and Azure cloud services. It emphasizes troubleshooting issues related to cloud network connectivity, including challenges with Software-Defined Networking (SDN) connectors, to maintain stable and secure cloud operations.</li></ul>

Topic 3	<ul style="list-style-type: none"> <li>Automation and Deployment Tools: This domain focuses on the skills of DevOps Engineers in automating cloud infrastructure and security deployments. It covers using Infrastructure as Code tools such as Terraform and Ansible for cloud provisioning, as well as deploying Fortinet solutions through platform-specific automation frameworks like Azure Bicep and AWS CloudFormation to enable repeatable and scalable security implementations.</li> </ul>
Topic 4	<ul style="list-style-type: none"> <li>Security Solutions Deployment and Integration: This section evaluates Cloud Security Engineers on deploying Fortinet solutions to secure various cloud service models, including Infrastructure as a Service (IaaS) and Container as a Service (CaaS). It includes integrating Fortinet security tools with cloud-native services to ensure robust protection across cloud workloads and environments.</li> </ul>

## Fortinet FCSS - Public Cloud Security 7.6 Architect Sample Questions (Q14-Q19):

### NEW QUESTION # 14

You need to deploy Fortinet solutions using Terraform in an AWS environment. Which command should you use to initialize the required Terraform provider?

Response:

- A. terraform apply
- B. terraform init
- C. terraform validate
- D. terraform plan

**Answer: B**

### NEW QUESTION # 15

Which Fortinet products support log-based threat detection in cloud workloads? (Choose two.)

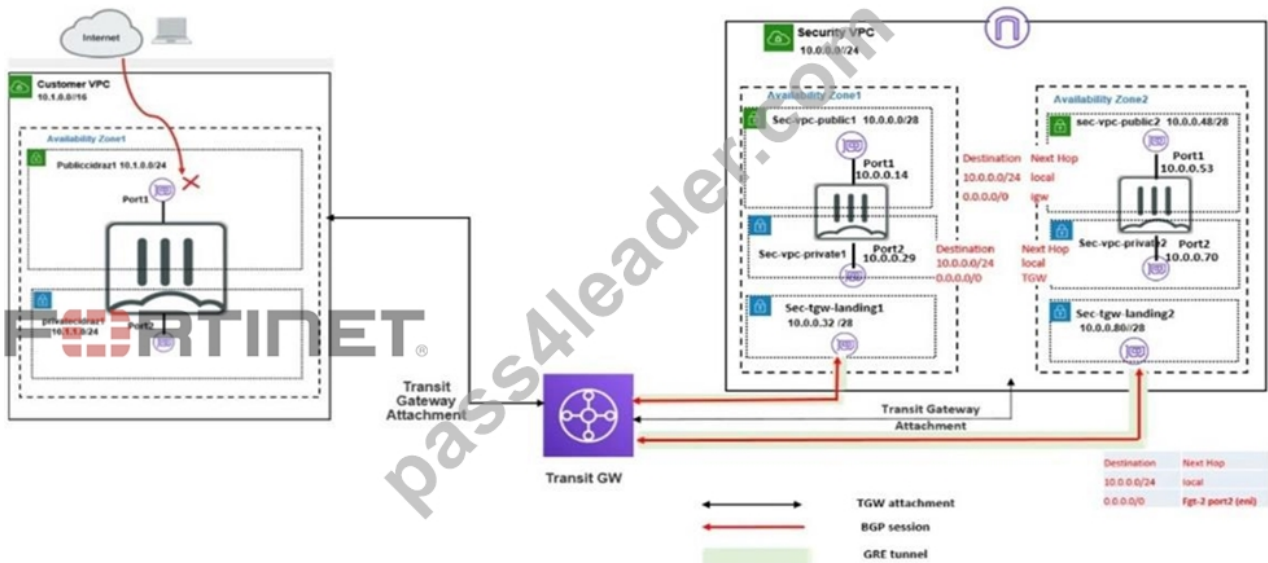
Response:

- A. FortiSIEM
- B. FortiAuthenticator
- C. FortiWeb
- D. FortiAnalyzer

**Answer: A,D**

### NEW QUESTION # 16

Refer to the exhibit. In your Amazon Web Services (AWS), you must allow inbound HTTPS access to the Customer VPC FortiGate VM from the internet. However, your HTTPS connection to the FortiGate VM in the Customer VPC is not successful. Also, you must ensure that the Customer VPC FortiGate VM sends all the outbound internet traffic through the Security VPC. How do you correct this issue with minimal configuration changes? (Choose three.)



- A. Add a route to the destination 0.0.0.0/0 with the transit gateway as the target.
- B. Deploy an internet gateway, attach it to the Customer VPC, and then associate an EIP with port1 of the FortiGate in the Customer VPC.
- C. Add a route with your local internet public IP address as the destination and the transit gateway as the target.
- D. Add a route with your local internet public IP address as the destination and the internet gateway as the target.
- E. Deploy an internet gateway, associate an EIP with the Customer VPC private subnet, and then add a new route with destination 0.0.0.0/0 with the internet gateway as the target.

Answer: A,B,D

Explanation:

Keep all other outbound internet traffic going from the Customer VPC FortiGate to the Security VPC via the TGW by setting 0.0.0.0/0 → TGW.

Add a specific route for your admin public IP → IGW so return traffic for HTTPS management goes directly to the internet.

Attach an Internet Gateway to the Customer VPC and assign an EIP to FortiGate port1 to allow inbound HTTPS from the internet.

**NEW QUESTION # 17**

The DevOps team is troubleshooting a FortiGate software-defined network(SDN) connector that is failing to integrate with a Kubernetes cluster. While using several debug commands, they find that the connector connection generates an error code 401. What is the cause of this error?

Response:

- A. The service principal being used has the correct role assigned.
- B. The Kubernetes cluster is using an unsupported API version.
- C. The configured client secret credentials are incorrect.
- D. The FortiGate firewall is using HTTP to send API calls instead of HTTPS.

Answer: C

**NEW QUESTION # 18**

A DevOps team is configuring Terraform to deploy Amazon Web Services (AWS) resources.

They want to use environment variables to authenticate Terraform with AWS, while ensuring that the setup works across multiple developers' machines without exposing credentials in configuration files.

Which two environment variables must the team configure, at a minimum, to allow Terraform to authenticate with AWS? (Choose two.)

- A. AWS\_ROLE\_ARN
- B. AWS\_ACCOUNT\_ID

- C. AWS\_ACCESS\_KEY\_ID
- D. AWS\_SECRET\_ACCESS\_KEY

Answer: C,D

## NEW QUESTION # 19

.....

Before purchasing FCSS\_CDS\_AR-7.6 prep torrent, you can log in to our website for free download. During your installation, FCSS\_CDS\_AR-7.6 exam torrent hired dedicated experts to provide you with free online guidance. During your studies, FCSS\_CDS\_AR-7.6 exam torrent also provides you with free online services for 24 hours, regardless of where and when you are, as long as an email, we will solve all the problems for you. At the same time, if you fail to pass the exam after you have purchased FCSS\_CDS\_AR-7.6 prep torrent, you just need to submit your transcript to our customer service staff and you will receive a full refund.

**FCSS\_CDS\_AR-7.6 Trustworthy Source:** [https://www.pass4leader.com/Fortinet/FCSS\\_CDS\\_AR-7.6-exam.html](https://www.pass4leader.com/Fortinet/FCSS_CDS_AR-7.6-exam.html)

- Latest FCSS\_CDS\_AR-7.6 Dumps Files  FCSS\_CDS\_AR-7.6 Exam  FCSS\_CDS\_AR-7.6 Valid Exam Practice  Search on  [www.exam4labs.com](http://www.exam4labs.com)  for { FCSS\_CDS\_AR-7.6 } to obtain exam materials for free download   FCSS\_CDS\_AR-7.6 Test Dump
- New FCSS\_CDS\_AR-7.6 Test Book  Valid FCSS\_CDS\_AR-7.6 Exam Forum  Valid Braindumps FCSS\_CDS\_AR-7.6 Files  Search for  FCSS\_CDS\_AR-7.6  and download exam materials for free through  [www.pdfvce.com](http://www.pdfvce.com)   Valid Braindumps FCSS\_CDS\_AR-7.6 Files
- Pass Guaranteed Quiz 2026 FCSS\_CDS\_AR-7.6: Fantastic FCSS - Public Cloud Security 7.6 Architect Exam Outline  Search for  FCSS\_CDS\_AR-7.6  and easily obtain a free download on  [www.validtorrent.com](http://www.validtorrent.com)   FCSS\_CDS\_AR-7.6 Actual Tests
- FCSS\_CDS\_AR-7.6 Get Certified Get Ahead FCSS\_CDS\_AR-7.6   [www.pdfvce.com](http://www.pdfvce.com)  is best website to obtain  FCSS\_CDS\_AR-7.6  for free download  FCSS\_CDS\_AR-7.6 Test Dump
- FCSS\_CDS\_AR-7.6 Questions Exam  FCSS\_CDS\_AR-7.6 Real Exam Questions  FCSS\_CDS\_AR-7.6 Questions Exam  Search for  FCSS\_CDS\_AR-7.6  and download it for free on  [www.exam4labs.com](http://www.exam4labs.com)  website   Dump FCSS\_CDS\_AR-7.6 Check
- Pass Guaranteed 2026 Efficient Fortinet FCSS\_CDS\_AR-7.6: FCSS - Public Cloud Security 7.6 Architect Exam Outline   The page for free download of “FCSS\_CDS\_AR-7.6” on  [www.pdfvce.com](http://www.pdfvce.com)   will open immediately   FCSS\_CDS\_AR-7.6 Real Questions
- 100% Pass 2026 FCSS\_CDS\_AR-7.6: FCSS - Public Cloud Security 7.6 Architect Perfect Exam Outline  Enter   [www.practicevce.com](http://www.practicevce.com)  and search for  FCSS\_CDS\_AR-7.6   to download for free  Latest FCSS\_CDS\_AR-7.6 Dumps Files
- FCSS\_CDS\_AR-7.6 Actual Tests  FCSS\_CDS\_AR-7.6 Questions Exam  FCSS\_CDS\_AR-7.6 Real Exam Questions   [www.pdfvce.com](http://www.pdfvce.com)  is best website to obtain  FCSS\_CDS\_AR-7.6  for free download   FCSS\_CDS\_AR-7.6 Real Exam Questions
- Valid FCSS\_CDS\_AR-7.6 Exam Forum  FCSS\_CDS\_AR-7.6 Reliable Test Prep  FCSS\_CDS\_AR-7.6 Real Questions  Download  FCSS\_CDS\_AR-7.6   for free by simply searching on  [www.exam4labs.com](http://www.exam4labs.com)    New FCSS\_CDS\_AR-7.6 Test Book
- FCSS\_CDS\_AR-7.6 Valid Exam Practice  FCSS\_CDS\_AR-7.6 Test Dump  FCSS\_CDS\_AR-7.6 Free Exam Dumps  Search on   [www.pdfvce.com](http://www.pdfvce.com)   for  FCSS\_CDS\_AR-7.6   to obtain exam materials for free download  FCSS\_CDS\_AR-7.6 Real Exam Questions
- FCSS\_CDS\_AR-7.6 New Learning Materials  FCSS\_CDS\_AR-7.6 Questions Exam  New FCSS\_CDS\_AR-7.6 Test Book  Search for  FCSS\_CDS\_AR-7.6  and obtain a free download on  [www.prepawayexam.com](http://www.prepawayexam.com)   Valid FCSS\_CDS\_AR-7.6 Exam Forum
- [moqacademy.pk](http://moqacademy.pk), [amberwhrc743698.blognody.com](http://amberwhrc743698.blognody.com), [bookmarkmargin.com](http://bookmarkmargin.com), [hannagrpk893079.wikiexcerpt.com](http://hannagrpk893079.wikiexcerpt.com), [adrianawmfj447615.snack-blog.com](http://adrianawmfj447615.snack-blog.com), [zenwriting.net](http://zenwriting.net), [bookmarkbooth.com](http://bookmarkbooth.com), [nanobookmarking.com](http://nanobookmarking.com), [anitaga444182.verybigblog.com](http://anitaga444182.verybigblog.com), [topsocialplan.com](http://topsocialplan.com), Disposable vapes

P.S. Free 2026 Fortinet FCSS\_CDS\_AR-7.6 dumps are available on Google Drive shared by Pass4Leader:  
<https://drive.google.com/open?id=1OYICqoHIOMVArJxCmUj1L167MXr2GIEu>