

Free PDF 2026 NCARB Fantastic PDD: Test ARE 5.0 Project Development and Documentation Exam Simulator



P.S. Free 2026 NCARB PDD dumps are available on Google Drive shared by Exam4Free: <https://drive.google.com/open?id=1U0sgalPT5XxCvOAcOUX1XWckbHICB1Xy>

Most IT workers prefer to choose our online test engine for their PDD exam prep because online version is more flexible and convenient. With the help of our online version, you can not only practice our PDD Exam PDF in any electronic equipment, but also make you feel the atmosphere of PDD actual test. The exam simulation will mark your mistakes and help you play well in PDD practice test.

NCARB PDD Exam Syllabus Topics:

Topic	Details
Topic 1	<ul style="list-style-type: none"> • Integration of Building Materials & Systems: This section of the exam measures the skills of Architectural Designers and focuses on the ability to resolve and integrate various building systems into cohesive project goals. It covers analyzing architectural systems and technologies, determining the size of structural, mechanical, electrical, and plumbing systems, and incorporating specialty systems such as acoustics, lighting, security, and communications. It also evaluates the ability to detail how multiple building systems work together and to coordinate across disciplines to achieve a unified design.
Topic 2	<ul style="list-style-type: none"> • Project Manual & Specifications: This section of the exam measures the skills of Specifications Writers and emphasizes the importance of developing documentation that goes beyond drawings. Candidates must understand how to identify and prioritize elements needed to prepare, maintain, and refine both the project manual and project specifications. It also assesses the ability to align and coordinate these specifications with the construction documents to ensure consistency and accuracy.
Topic 3	<ul style="list-style-type: none"> • Construction Documentation: This section of the exam measures skills of Project Architects and addresses the creation and management of project documentation. Candidates are expected to demonstrate knowledge of documenting building design and site features, preparing detailed architectural drawings, and applying industry standards to produce a coordinated set of construction documents. The section also includes understanding how project changes impact documentation and how to communicate these updates effectively to both the design team and the client.
Topic 4	<ul style="list-style-type: none"> • Codes & Regulations: This section of the exam measures skills of Building Code Specialists and examines how codes and regulations apply at a detailed level during documentation. Candidates are expected to demonstrate knowledge of compliance with the International Building Code (IBC) as well as other specialty regulations, as well as how to interpret and apply these standards to ensure design and documentation meet legal and safety requirements.

Topic 5	<ul style="list-style-type: none"> • Construction Cost: This section of the exam measures the skills of Construction Managers and focuses on the financial side of project execution. It evaluates the ability to analyze construction cost estimates to confirm that they align with project design intent and budgetary constraints. Although this is the smallest section, it is critical for ensuring projects remain feasible and economically viable.
---------	---

>> Test PDD Simulator <<

Real ARE 5.0 Project Development and Documentation Exam Pass4sure Torrent - PDD Study Pdf & ARE 5.0 Project Development and Documentation Exam Training Vce

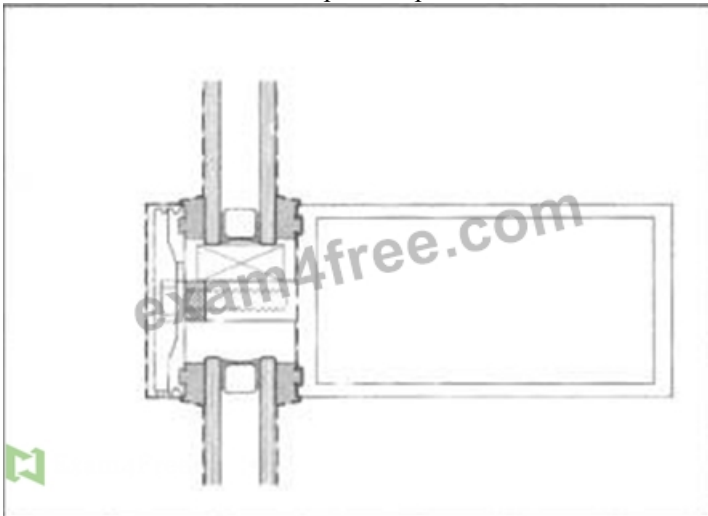
Perhaps you plan to seek a high salary job. But you are not confident enough because of lack of ability. Now, our PDD practice guide is able to give you help. You will quickly master all practical knowledge in the shortest time. Also, obtaining the PDD certificate fully has no problem. With the high pass rate of our PDD exam braindumps as 98% to 100%, we can claim that as long as you study with our PDD study materials, you will pass the exam for sure.

NCARB ARE 5.0 Project Development and Documentation Exam Sample Questions (Q39-Q44):

NEW QUESTION # 39

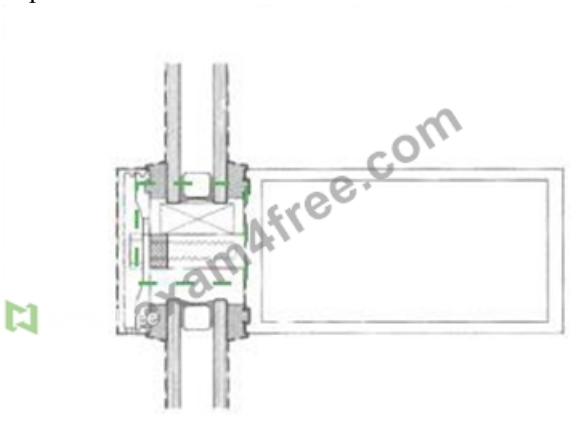
The design of a 10-story residential building features a curtain wall system on all four elevations. Due to diurnal temperature swings in the area, the curtain wall will need a thermal break to prevent the transfer of heat into the building.

Click on the thermal break in the pressure-plate mullion detail.

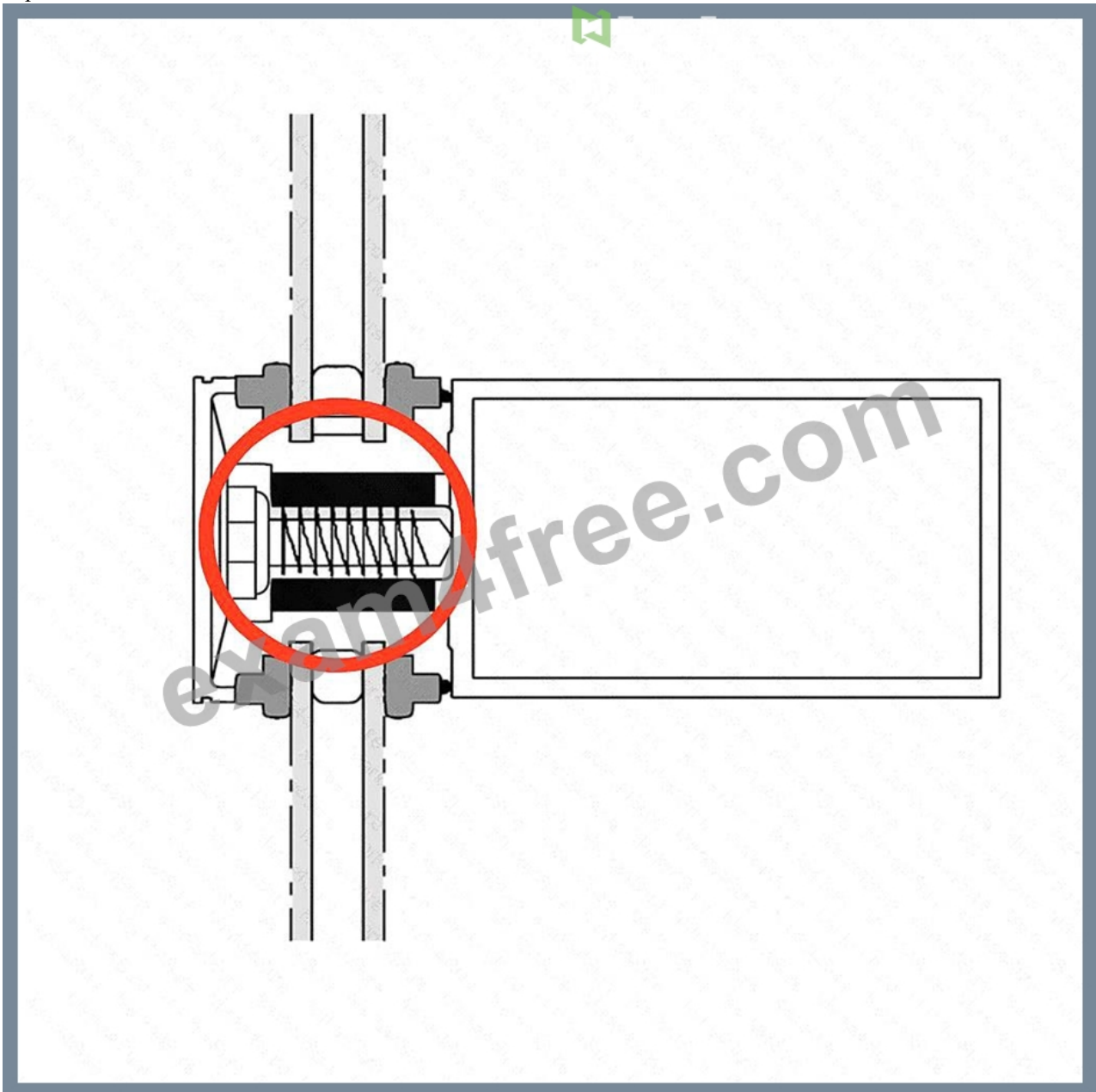


Answer:

Explanation:



Explanation:



In the provided pressure-plate curtain wall mullion detail, the thermal break is typically located between the interior and exterior aluminum components of the mullion to prevent conductive heat transfer.

Thermal Break Location:

Look for the black or dark shaded strip in the middle of the mullion where the two separate metal parts meet - this strip is a non-metallic insulating material (usually polyamide or other plastic) that interrupts the metal-to-metal connection between interior and exterior.

In this image, the thermal break is located:

In the vertical center of the mullion, between the inner and outer aluminum extrusions, where a black isolator or separator is shown (just above and below the screw/fastener).

Clicking on this narrow dark band (thermal isolator) between the inner and outer components of the curtain wall mullion would be the correct hotspot answer.

NEW QUESTION # 40

Which elevator type is the most appropriate choice for a 15-story high-rise residential condominium where speed and noise are considerations?

- A. Hole-less hydraulic
- B. Gearless traction
- C. Geared traction

- D. Holed hydraulic

Answer: B

Explanation:

For a 15-story high-rise where speed and noise matter, gearless traction elevators are the standard choice:

highest speeds, smoother/quiet operation, and efficiency for taller buildings. Hydraulic (holed or hole-less) are limited to low-rise (#2-6 stories) and are slower/noisier; geared traction is mid-rise with lower speeds and more noise than gearless.

PDD references: Vertical transportation selection criteria-rise vs. technology; ARE 5.0 PDD "Building Systems-Elevators."

NEW QUESTION # 41

Which of the following methods of mortar joint finishing has the greatest weatherability?

- **A. Concave**
- B. Extruded
- C. Weathered
- D. Raked

Answer: A

Explanation:

Mortar joint finishes impact water resistance and weatherability:

Concave joint is the most weather-resistant. The joint is compressed and curved inward, forming a dense, compact surface that sheds water effectively.

Weathered joint slopes outward but is less compact than concave.

Raked joint is recessed and can hold water, less weather-resistant.

Extruded joint protrudes and tends to trap water and dirt.

Therefore, concave joints provide the best weather protection.

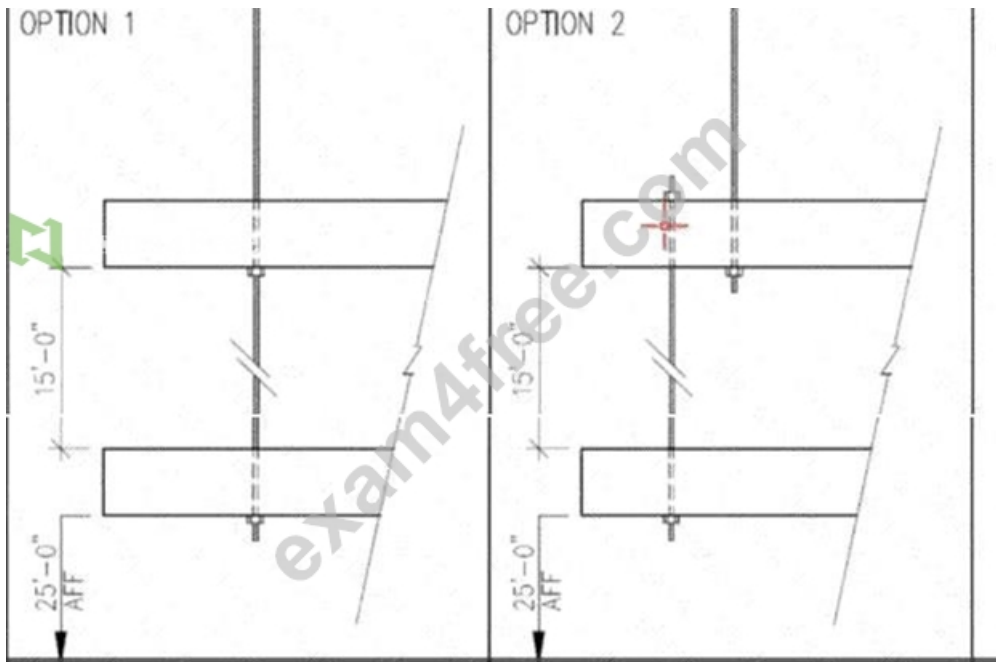
Reference:

NCARB ARE 5.0 Review Manual, Materials and Assemblies chapter
Masonry construction standards and detailing guides

NEW QUESTION # 42

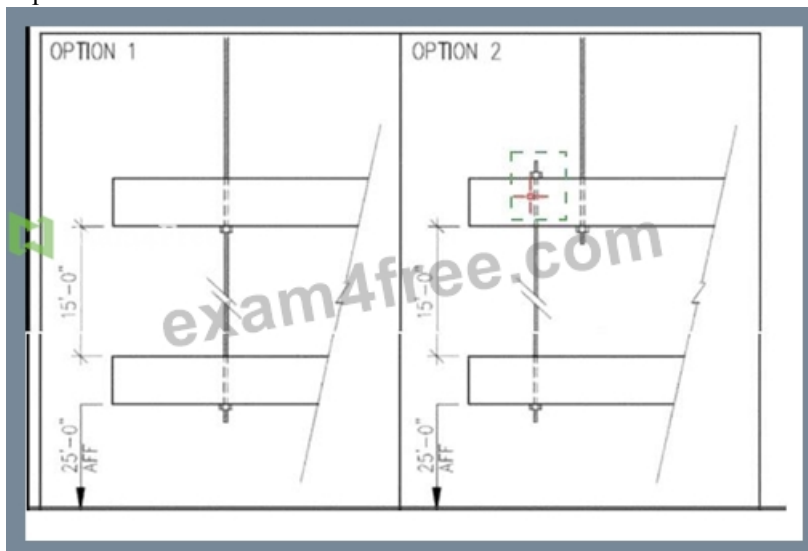
Option 1 is the originally designed connection detail for a banner hanging system of steel tube beams and threaded rods in a high atrium space. The threaded rod connections to the structure are fabricated as part of the structure. The remaining members are field fabricated. The weights of beam and banner are identical at each level. Option 2 has been proposed to alleviate constructability issues. The structural ramifications must be evaluated before this change can be approved.

Click on the nut in option 2 that will realize a greater load due to the proposed change.



Answer:

Explanation:



Explanation:

The upper nut at the top connection in Option 2 (the nut above the upper tube beam, highlighted at left).

By moving the threaded rod off the member's centroid in Option 2, the connection becomes eccentric. That eccentricity introduces a prying/bending moment at the rod/member interface in addition to the vertical load from the banner and beam. In a through rod with a nut above and below the member, the bottom nut primarily resists the direct gravity load in the concentric case (Option 1). When eccentricity is added (Option

2), rotation of the member about the rod induces additional uplift on the top nut (prying action), thereby increasing the force in the top nut relative to the concentric case.

Hence, the nut that will realize the greater load due to the proposed change is the upper nut at the top connection.

References

* NCARB ARE 5.0 PDD Handbook - Structural Systems & Detailing: Connections and eccentric loading.

* AISC Steel Design Guide: Prying Action in Bolted Connections (eccentric connections increase tensile force on the "prying" fastener).

* Ching, Building Construction Illustrated - Steel connections and load paths.

NEW QUESTION # 43

During an analysis of an existing sanitary sewer crossing a proposed building site, it was determined that the outflow invert at one

manhole was 120 feet and the inflow invert at the next manhole, which is 200 feet downstream, was 117 feet. What is the percentage of slope between the two manholes?

- A. 3%
- B. 1.5%
- C. 2%

Answer: B

Explanation:

The slope between two manholes is calculated by the formula:

$$\text{slope} = \frac{\text{elevation difference}}{\text{horizontal distance}} \times 100\%$$

Given:

- Outflow invert = 120 ft
- Inflow invert = 117 ft
- Horizontal distance = 200 ft

Calculate elevation difference:

$$120 - 117 = 3 \text{ ft}$$

Calculate slope:

$$\frac{3 \text{ ft}}{200 \text{ ft}} \times 100\% = 1.5\%$$

Reference:

NCARB ARE 5.0 Review Manual, Site Design and Civil Engineering chapter
Sanitary sewer design principles and slope requirements

NEW QUESTION # 44

.....

Exam4Free has been devoted itself to provide all candidates who are preparing for IT certification exam with the best and the most trusted reference materials in years. With regards to the questions of IT certification test, Exam4Free has a wealth of experience. Exam4Free has helped numerous candidates and got their reliance and praise. So, don't doubt the quality of Exam4Free NCARB PDD Dumps. It is high quality dumps helping you 100% pass PDD certification test. Exam4Free promises 100% FULL REFUND, if you fail the exam. With this guarantee, you don't need to hesitate whether to buy the dumps or not. Missing it is your losses.

Discount PDD Code: <https://www.exam4free.com/PDD-valid-dumps.html>

- PDD Test Topics Pdf PDD Exam Vce Instant PDD Discount The page for free download of « PDD » on www.troytecdumps.com will open immediately Instant PDD Discount
- Free PDF Quiz Unparalleled NCARB - Test PDD Simulator Search on www.pdfvce.com for “PDD” to obtain exam materials for free download Valid PDD Exam Cost
- PDD Test Topics Pdf Reliable PDD Dumps Book PDD Examcollection Dumps The page for free download of { PDD } on www.prepawaypdf.com will open immediately Latest PDD Test Materials
- Valid Test PDD Simulator - Pass PDD Once - Reliable Discount PDD Code Go to website www.pdfvce.com open and search for “PDD” to download for free PDD Dump File
- PDD PDF VCE PDD High Quality PDD Exam Vce Search for PDD and download it for free on

www.prep4sures.top ☐ website ☐ PDD Valid Exam Format

- Pass Guaranteed Quiz NCARB - PDD –High Pass-Rate Test Simulator ☐ Search for ➡ PDD ☐☐☐ and download exam materials for free through ➤ www.pdfvce.com ☐ ☐PDD Test Topics Pdf
- Exam PDD Pass4sure ☐ PDD Practice Test Fee ☐ PDD Exam Vce ☐ Search on 【 www.examdiscuss.com 】 for ☐ PDD ☐ to obtain exam materials for free download ☐Reliable PDD Exam Pdf
- PDD Practice Test Fee ☐ PDD Exam Vce ☐ Test PDD Engine Version ☐ Enter [www.pdfvce.com] and search for ➡ PDD ☐ to download for free ☐Exam PDD Pass4sure
- PDD Test Topics Pdf ☐ Exam PDD Pass4sure (M) Valid PDD Exam Cost ☐ Copy URL (www.prepawayexam.com) open and search for ✓ PDD ☐✓☐ to download for free ☐Reliable PDD Exam Pdf
- Pass Guaranteed Quiz 2026 High Hit-Rate NCARB Test PDD Simulator ☐ The page for free download of ⇒ PDD ⇐ on ► www.pdfvce.com ◀ will open immediately ☐PDD Exam Vce
- Valid Test PDD Simulator - Pass PDD Once - Reliable Discount PDD Code ☐ Search for ➡ PDD ☐☐☐ and obtain a free download on { www.prepawayexam.com } ☐PDD Valid Exam Preparation
- opensocialfactory.com, zaynabqpxd451581.bloggerswise.com, socialstrategie.com, pennybnxn006702.bloggactivo.com, neilwdjj940584.losblogos.com, zbookmarkhub.com, learn-school.webtemplates.in, bookmarklinking.com, bookmarkgenius.com, directorytome.com, Disposable vapes

BTW, DOWNLOAD part of Exam4Free PDD dumps from Cloud Storage: <https://drive.google.com/open?id=1U0sgalPT5XxCvOAcOUX1XWckbHICB1Xy>