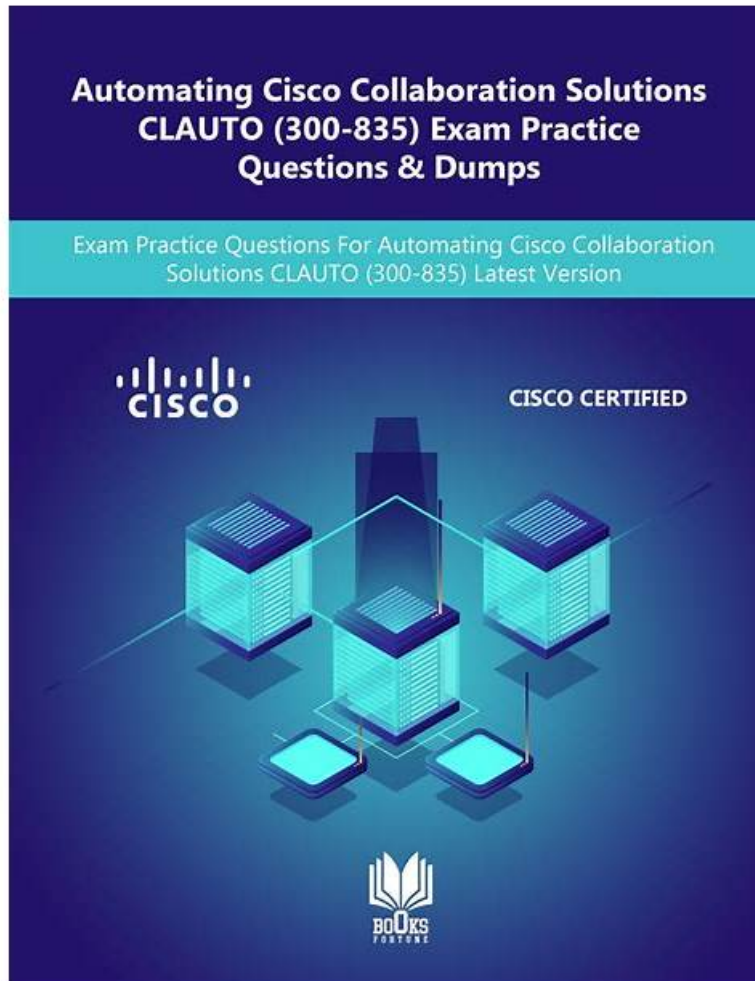


300-835 Study Materials: Automating and Programming Cisco Collaboration Solutions - 300-835 Actual Questions & 300-835 Quiz Guide



P.S. Free 2026 Cisco 300-835 dumps are available on Google Drive shared by BootcampPDF: https://drive.google.com/open?id=1yS7oyz2LT1Yy7SKMwd_gli2kPrvpakv9

For candidates who will buy 300-835 exam cram online, they may pay much attention to privacy protection. If you choose us, your personal information such as your name and email address will be protected well. After your payment for 300-835 exam cram, your personal information will be concealed. Besides, we won't send junk mail to you. We offer you free demo for 300-835 Exam Dumps before buying, so that you can have a deeper understanding of what you are going to buy.

Cisco 300-835 Exam Topics:

Section	Weight	Objectives
Meetings	20%	<ul style="list-style-type: none"> - Describe Webex Meetings API capabilities and use to manage users, meetings, events, and trainings - Describe Webex Meeting API authentication mechanisms - Construct API calls to implement users and meetings management for Webex Meetings - Construct API calls to configure Cisco Meeting Server using the REST API

Collaboration Endpoints	20%	<ul style="list-style-type: none"> - Construct API calls to automate Cisco collaboration room devices using the xAPI SSH interface and xAPI HTTP API (configuration, customization and branding, and making a call) - Construct a script to monitor Cisco collaboration room device events using the xAPI Python SDK - Describe the capabilities, use, creation, and deployment of custom controls for Cisco collaboration room devices using the In-Room Controls Editor - Describe the capabilities, use, creation, and deployment of Cisco collaboration room device JavaScript Macros using the Macro Editor
Network Programmability Foundation	10%	<ul style="list-style-type: none"> - Utilize common version control operations with git (add, clone, push, commit, diff, branching, and merging conflict) - Describe characteristics of API styles (REST, RPC, and SOAP) - Describe the challenges encountered and patterns used when consuming APIs synchronously and asynchronously - Interpret Python scripts containing data types, functions, classes, conditions, and looping - Describe the benefits of Python virtual environments - Identify the roles of load balancer, firewall, DNS, and reverse proxy in collaboration application deployment
Cloud Collaboration	25%	<ul style="list-style-type: none"> - Describe Webex Teams REST API capabilities, use, application architectures, authentication mechanisms, and token types - Implement administrative operations on Webex Teams organizations, users, licenses, and compliance events using the Webex Teams REST API - Construct a Python script to automate creation of Webex Teams spaces and memberships - Construct a Python script to implement notification - Construct API calls to implement interactive bots - Describe the application components involved in conversational bots (Botkit components and ecosystem) - Create a HTML web application embedding Webex Teams and messaging, audio / video using Webex Teams Widgets - Describe the capabilities and use for the various Webex Teams SDKs

>> Examcollection 300-835 Free Dumps <<

Relevant 300-835 Answers - Reliable 300-835 Dumps Files

By selecting our 300-835 study materials, you do not need to purchase any other products. Our passing rate may be the most attractive factor for you. Our 300-835 learning guide have a 99% pass rate. This shows what? As long as you use our products, you can pass the exam! Do you want to be one of 99? Quickly purchase our 300-835 Exam Questions! And you will find that the coming exam is just a piece of cake in front of you.

Cisco Automating and Programming Cisco Collaboration Solutions Sample Questions (Q127-Q132):

NEW QUESTION # 127

What is the primary purpose of the POST /v1/meetings function of the Webex Meetings REST API?

- A. to schedule a new meeting
- B. to join an ongoing meeting
- C. to cancel a meeting
- D. to start an instant meeting

Answer: A

Explanation:

The POST /v1/meetings function of the Webex Meetings REST API is used to create or schedule a new meeting. You can define details such as title, agenda, start time, duration, password, and invitees when calling this endpoint.

NEW QUESTION # 128

Refer to the exhibit.

```
from pyxows import xows
import asyncio

async def main():
    async with xows.XoWSClient( '10.10.20.153', 'integrator', 'integrator' ) as client:
        async def callback( data, id ):
            print( f'Call status event: { data }' )
            
        await client.wait_until_closed()

asyncio.run( main() )
```

This exhibit is a simple Python scrip to monitor call activity for a local Webex room device. Which code snippet listens for call events and completes the script?

- A. `await client.subscribe(['Feedback', 'Call', 'Status'], callback, False)`
- B. `await client.xfeedback(['Status', 'Call', 'Status'], callback, False)`
- C. `await client.xfeedback(['Feedback', 'Call', 'Status'], callback, False)`
- D. `await client.subscribe(['Status', 'Call', 'Status'], callback, False)`

Answer: D

NEW QUESTION # 129

Which format is used for guest tokens in Webex?

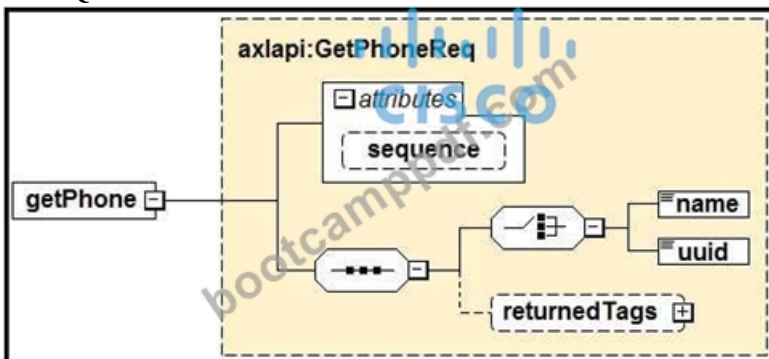
- A. MD5
- B. OAuth2
- C. OAuth1
- D. JWT

Answer: D

Explanation:

Webex uses JWT (JSON Web Token) format for guest tokens to securely authenticate and authorize guest users in Webex applications without requiring full Webex accounts.

NEW QUESTION # 130



Refer to the exhibit. Based on the schema diagram in the exhibit, which two XML objects are valid AXL <getPhone> request <Body> elements? (Choose two.)

- A.

```
<soapenv:Body>
  <ns:getPhone sequence="1">
    <uuid>(2B1931A2-8FC2-A0C2-7282-B88B5A6356A0)</uuid>
  </ns:getPhone>
</soapenv:Body>
```

```

<soapenv:Body>
  <ns:getPhone>
    <name>BOT209342098</name>
    <uuid>{2B1931A2-8FC2-A0C2-7282-B88B5A6356A0}</uuid>
  </ns:getPhone>
</soapenv:Body>

```

- B.


```

<soapenv:Body>
  <ns:getPhone>
    <name>BOT209342098</name>
    <returnedTags><model/></returnedTags>
  </ns:getPhone>
</soapenv:Body>

```
- C. </soapenv:Body>

```

<soapenv:Body>
  <ns:getPhone sequence="1">
    <name>BOT209342098</name>
    <returnedtags><model/></returnedtags>
  </ns:getPhone>
</soapenv:Body>

```

- D.


```

<soapenv:Body>
  <ns:getPhone sequence="1">
    <name>BOT209342098</name>
    <returnedTags>All</returnedTags>
  </ns:getPhone>
</soapenv:Body>

```
- E. </soapenv:Body>

Answer: E

Explanation:

Section: Unified Communication

NEW QUESTION # 131

Refer to the exhibit.

```

<?xml version="1.0"?>
<inboundDialPlanRules total="3">
  <inboundDialPlanRule id="eedeeca5-c73b-441e-bc5a-71d9b256180b">
    <domain>cms.heleus.lab</domain>
    <priority>100</priority>
  </inboundDialPlanRule>
  <inboundDialPlanRule id="647511a0-0c7d-484f-8796-ee52dd3128f1">
    <domain>space.heleus.lab</domain>
    <priority>2</priority>
  </inboundDialPlanRule>
  <inboundDialPlanRule id="2c5662ab-7e5a-45a8-a133-5f4d6c6cb509">
    <domain>cms.lab</domain>
    <priority>1</priority>
  </inboundDialPlanRule>
</inboundDialPlanRules>

```

Which API call made to Cisco Meeting Server removes the inbound dial plan rule matching cms.lab domain?

- A. PUT to /api/v1/inboundDialPalnRules/2c5662ab-7e5a-45a8-a133-5f4d6c6cb509.
- B. PUT to /api/v1/inboundDialPalnRules/2c5662ab-7e5a-45a8-a133-5f4d6c6cb509 with body attribute delete="True".
- C. DELETE to /api/v1/inboundDialPalnRules/2c5662ab-7e5a-45a8-a133-5f4d6c6cb509.
- D. DELETE to /api/v1/inboundDialPalnRules/ with body attribute id="2c5662ab-7e5a-45a8-a133- 5f4d6c6cb509".

Answer: D

NEW QUESTION # 132

.....

Our web backend is strong for our 300-835 study braindumps. No matter how many people are browsing our websites at the same time, you still can quickly choose your favorite 300-835 exam questions and quickly pay for it. There has no delay reaction of our website. So you can begin your pleasant selecting journey on our websites. And you will find our 300-835 practice materials are easy to download.

Relevant 300-835 Answers: https://www.bootcamppdf.com/300-835_exam-dumps.html

- Study 300-835 Material Study 300-835 Demo Updated 300-835 CBT Open website “www.prepawayete.com” and search for **> 300-835** for free download Test 300-835 Lab Questions
- 300-835 Valid Exam Online 300-835 Detailed Answers 300-835 Latest Exam Papers Simply search for **> 300-835** for free download on **>** www.pdfvce.com **Reliable 300-835 Test Vce**
- 300-835 Latest Dumps - 300-835 Exam Simulation - 300-835 Practice Test Simply search for **【 300-835 】** for free download on **=>** www.pdfdumps.com **Valid 300-835 Exam Camp**
- Pass Guaranteed Quiz Cisco - Reliable Examcollection 300-835 Free Dumps Easily obtain free download of **=>** 300-835 by searching on **《 www.pdfvce.com 》** 300-835 Latest Exam Answers
- Pass Guaranteed Quiz Marvelous Cisco Examcollection 300-835 Free Dumps Enter **=>** www.testkingpass.com and search for **=>** 300-835 to download for free **Reliable 300-835 Test Vce**
- 300-835 Test Simulator Online Valid 300-835 Test Camp Exam 300-835 Pattern Search on **✓** www.pdfvce.com **✓** for **=>** 300-835 to obtain exam materials for free download 300-835 New Braindumps Sheet
- Free PDF Quiz 2026 Cisco Valid 300-835: Examcollection Automating and Programming Cisco Collaboration Solutions Free Dumps Enter **《 www.practicevce.com 》** and search for 300-835 to download for free 300-835 Valid Exam Online
- 300-835 Study Materials: Automating and Programming Cisco Collaboration Solutions - 300-835 Actual Questions - 300-835 Quiz Guide Open **=>** www.pdfvce.com and search for **=>** 300-835 to download exam materials for free Updated 300-835 CBT
- 300-835 Latest Dumps - 300-835 Exam Simulation - 300-835 Practice Test Simply search for **[300-835]** for free download on **>** www.dumpsquestion.com Exam 300-835 Pattern
- Get The Actual Cisco 300-835 Exam Questions In PDF Go to website www.pdfvce.com open and search for **☼ 300-835** to download for free 300-835 Detailed Answers
- 300-835 Latest Dumps - 300-835 Exam Simulation - 300-835 Practice Test Download **[300-835]** for free by simply searching on **=>** www.prep4away.com 300-835 Exam Topics
- sidneylanc206546.oneworldwiki.com, nicolasmusk753879.blog5star.com, myportal.utt.edu.tt, myportal.utt.edu.tt, myportal.utt.edu.tt, myportal.utt.edu.tt, myportal.utt.edu.tt, myportal.utt.edu.tt, myportal.utt.edu.tt, myportal.utt.edu.tt, myportal.utt.edu.tt, myportal.utt.edu.tt, jessezuob335651.liberty-blog.com, faithlife.com, freebookmarkpost.com, jemimavgeq984814.blogdeazar.com, lilianejmu511783.wikiusnews.com, tiffanywtkv731598.anchor-blog.com, zayndnqg581609.activoblog.com, Disposable vapes

P.S. Free & New 300-835 dumps are available on Google Drive shared by BootcampPDF: https://drive.google.com/open?id=1yS7oyz2LT1Yy7SKMwd_gli2kPrvpakv9