

# High-quality Latest 3V0-25.25 Dumps Sheet, 3V0-25.25 Reliable Test Tutorial



BTW, DOWNLOAD part of BraindumpsIT 3V0-25.25 dumps from Cloud Storage: [https://drive.google.com/open?id=1pfXMkF9J\\_rXTgP3GZgyjFRC9umCX5PjM](https://drive.google.com/open?id=1pfXMkF9J_rXTgP3GZgyjFRC9umCX5PjM)

Competition has a catalytic effect on human development and social progress. Competition will give us direct goals that can inspire our potential and give us a lot of pressure. We must translate these pressures into motivation for progress. This road may not be easy to go. But with our 3V0-25.25 Exam Questions, you can be the most competitive genius in your field with the least time and efforts. As long as you follow with our 3V0-25.25 study guide, you will succeed for sure. Just come and try our 3V0-25.25 practice braindumps!

The language of our 3V0-25.25 study materials is simple. The learners may come from many social positions and their abilities to master our 3V0-25.25 study materials are varied. Based on this consideration we apply the most simple and easy-to-be-understood language to help the learners no matter he or she is the students or the in-service staff, the novice or the experienced employee which have worked for many years. 3V0-25.25 Study Material use the simple language to explain the answers and detailed knowledge points and the concise words to show the complicated information about the 3V0-25.25 study material.

>> Latest 3V0-25.25 Dumps Sheet <<

## 3V0-25.25 Reliable Test Tutorial - 3V0-25.25 Reliable Guide Files

During review, you can contact with our after-sales if there are any problems with our 3V0-25.25 exam torrent. They will help you 24/7 all the time. These services assure you avoid any loss. Besides, our passing rate of 3V0-25.25 practice materials has reached up to 98 to 100 percent up to now, so you cannot miss this opportunity. Besides, free updates of 3V0-25.25 Exam Torrent will be sent to your mailbox freely for one year, hope you can have a great experience during usage of our practice materials.

### VMware 3V0-25.25 Exam Syllabus Topics:

Topic	Details

Topic 1	<ul style="list-style-type: none"> <li>Install, Configure, Administrate the VMware Solution: This domain covers NSX implementation including deploying Federation, configuring components, creating Edge Clusters and gateways, managing VPC, stateful services, tenancy, integrations, and operational tasks.</li> </ul>
Topic 2	<ul style="list-style-type: none"> <li>Plan and Design the VMware Solution: This domain addresses NSX design including architecture, connectivity solutions, multisite deployments, NSX Fleet considerations, and optimization decisions based on given scenarios.</li> </ul>
Topic 3	<ul style="list-style-type: none"> <li>VMware Products and Solutions: This domain focuses on VMware's core offerings including vSphere for virtualization, NSX for software-defined networking, and vSAN for storage, enabling private and hybrid cloud environments.</li> </ul>
Topic 4	<ul style="list-style-type: none"> <li>Troubleshoot and Optimize the VMware Solution: This domain focuses on identifying and resolving NSX issues using VCF tools, troubleshooting infrastructure and routing problems, and understanding ECMP, high availability, and packet flows.</li> </ul>
Topic 5	<ul style="list-style-type: none"> <li>IT Architectures, Technologies, Standards: This domain covers foundational IT structural designs like client-server and microservices, implementation technologies such as containerization and APIs, and industry standards like ISO</li> <li>IEC, TOGAF, and security frameworks.</li> </ul>

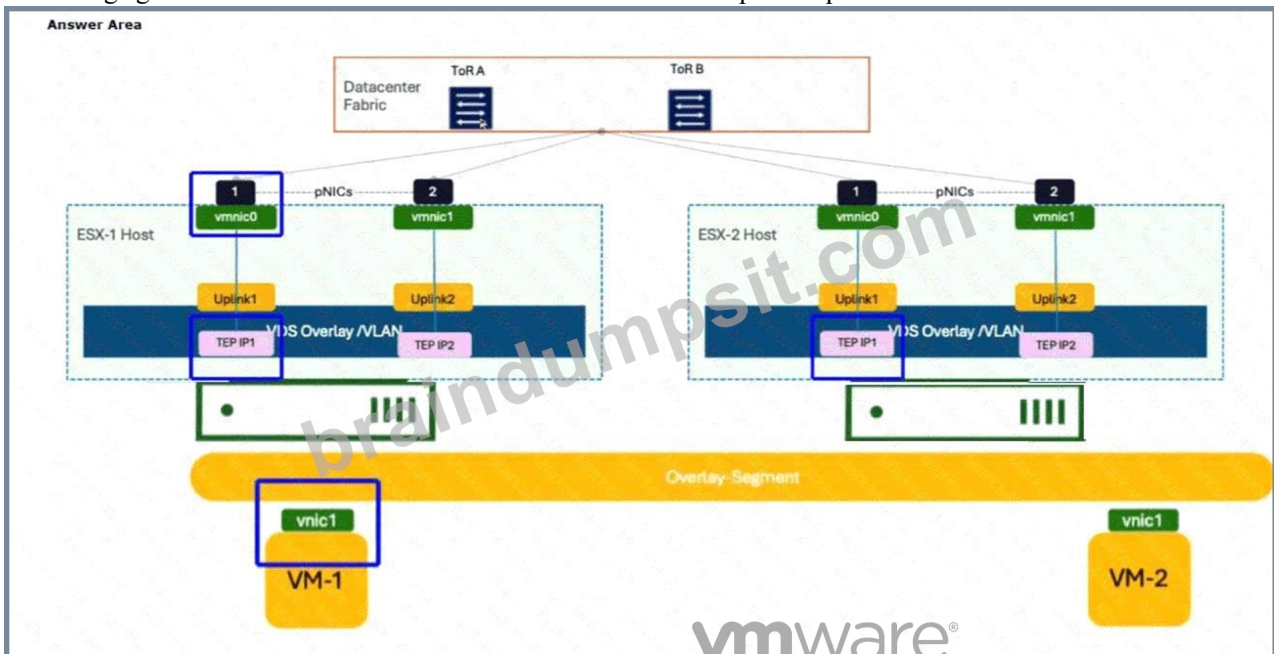
## VMware Advanced VMware Cloud Foundation 9.0 Networking Sample Questions (Q45-Q50):

### NEW QUESTION # 45

The administrator is working to ascertain the encapsulation of GENEVE by reviewing the capture on Wireshark.

The administrator instructed VM-1 to send a continuous ICMP request directed at VM-2.

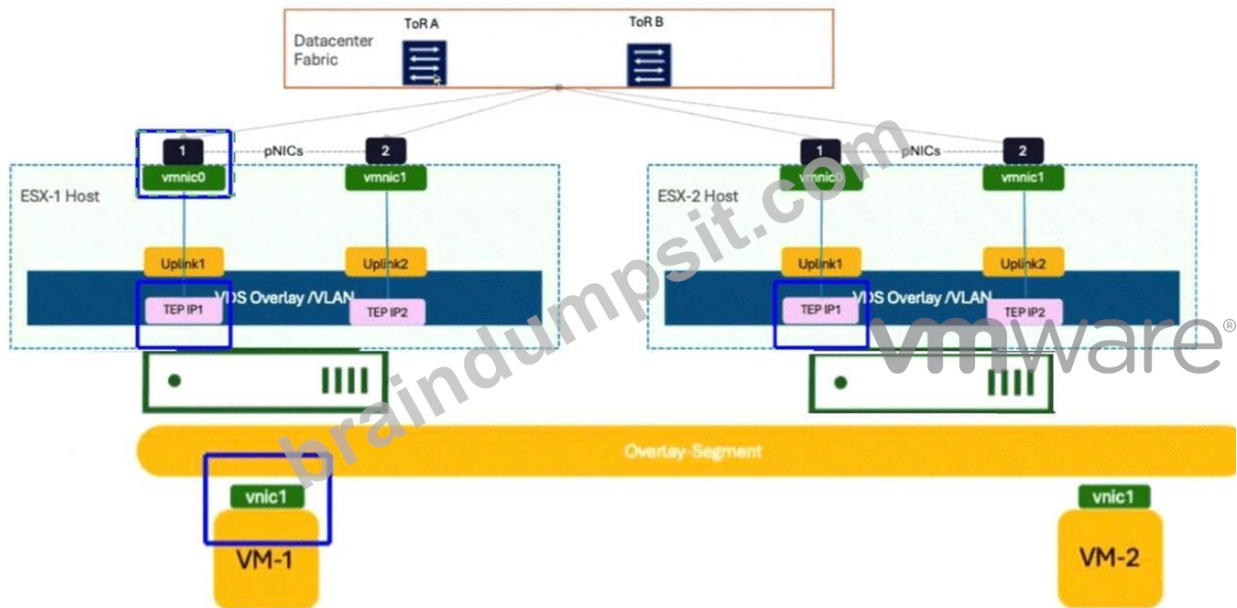
Click to highlight where the administrator should observe the GENEVE encapsulated packet.



Answer:

Explanation:

Answer Area



Explanation:

The administrator should click the vnic0 interface on the ESX-1 Host.

In a VMware Cloud Foundation (VCF) environment, the GENEVE (Generic Network Virtualization Encapsulation) protocol is the industry-standard tunnel format used by NSX to create an overlay network.

This protocol allows Layer 2 traffic from virtual machines to be "tunneled" over a Layer 3 physical IP fabric, enabling workloads to communicate as if they were on the same segment even when separated by physical routers.

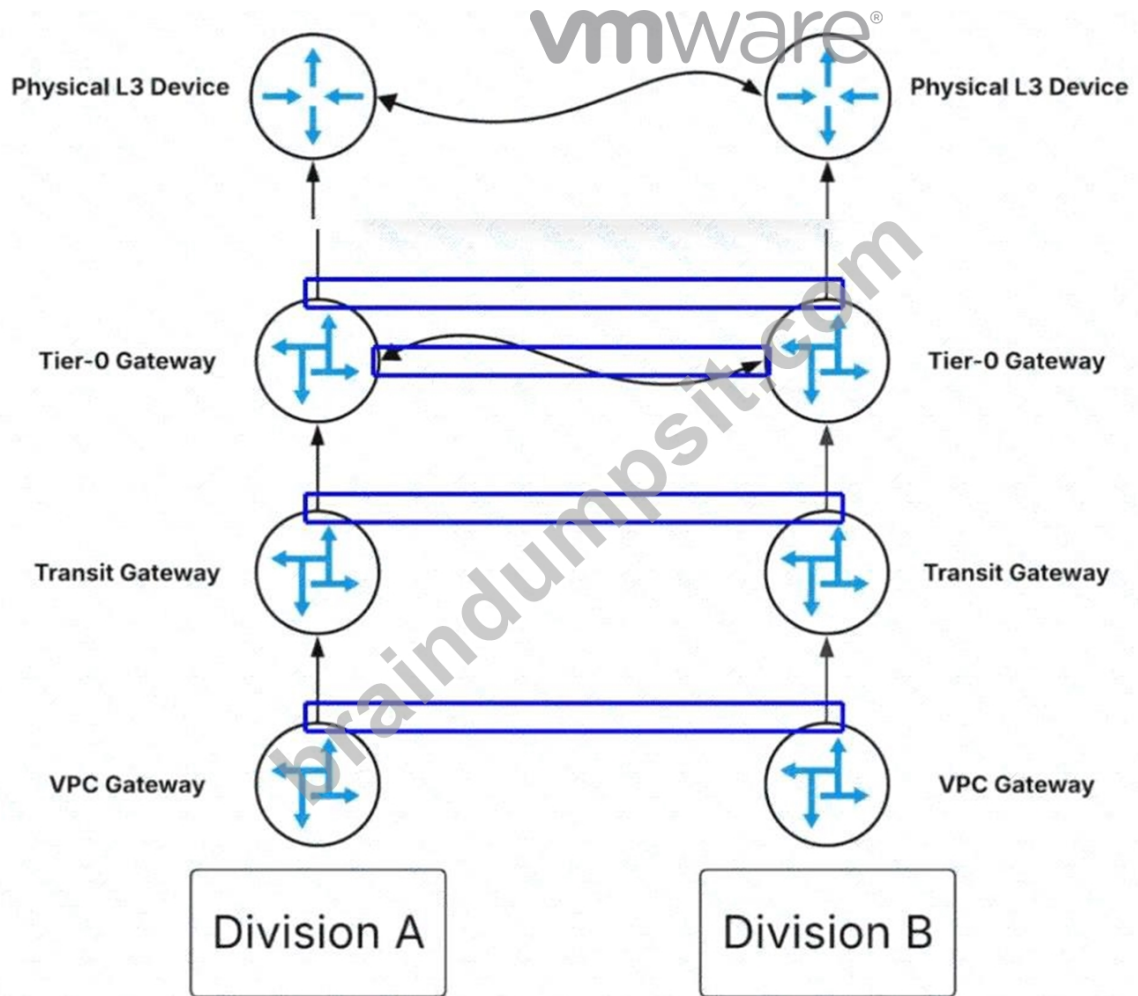
When VM-1 on ESX-1 sends an ICMP request to VM-2 on ESX-2, the packet starts as a standard Ethernet frame at the virtual machine's vnic1. At this stage, the packet contains no encapsulation. As the frame enters the Virtual Distributed Switch (VDS) and hits the Tunnel End Point (TEP), the host's kernel performs the encapsulation process. The TEP adds a GENEVE header, a UDP header (port 6081), and an outer IP header.

The vnic0 (physical NIC) on the source host (ESX-1) is the specific "egress" point where this transformation is complete. A packet capture taken at this physical interface will show the "Outer IP" address of the source TEP and destination TEP, with the original ICMP packet hidden inside the GENEVE payload. If the administrator were to click on the VM's vnic, they would only see standard ICMP. By selecting the vnic0, the administrator captures the traffic as it is placed onto the physical wire, which is the verified location to troubleshoot MTU issues, encapsulation errors, or physical fabric connectivity in a VCF environment.

NEW QUESTION # 46

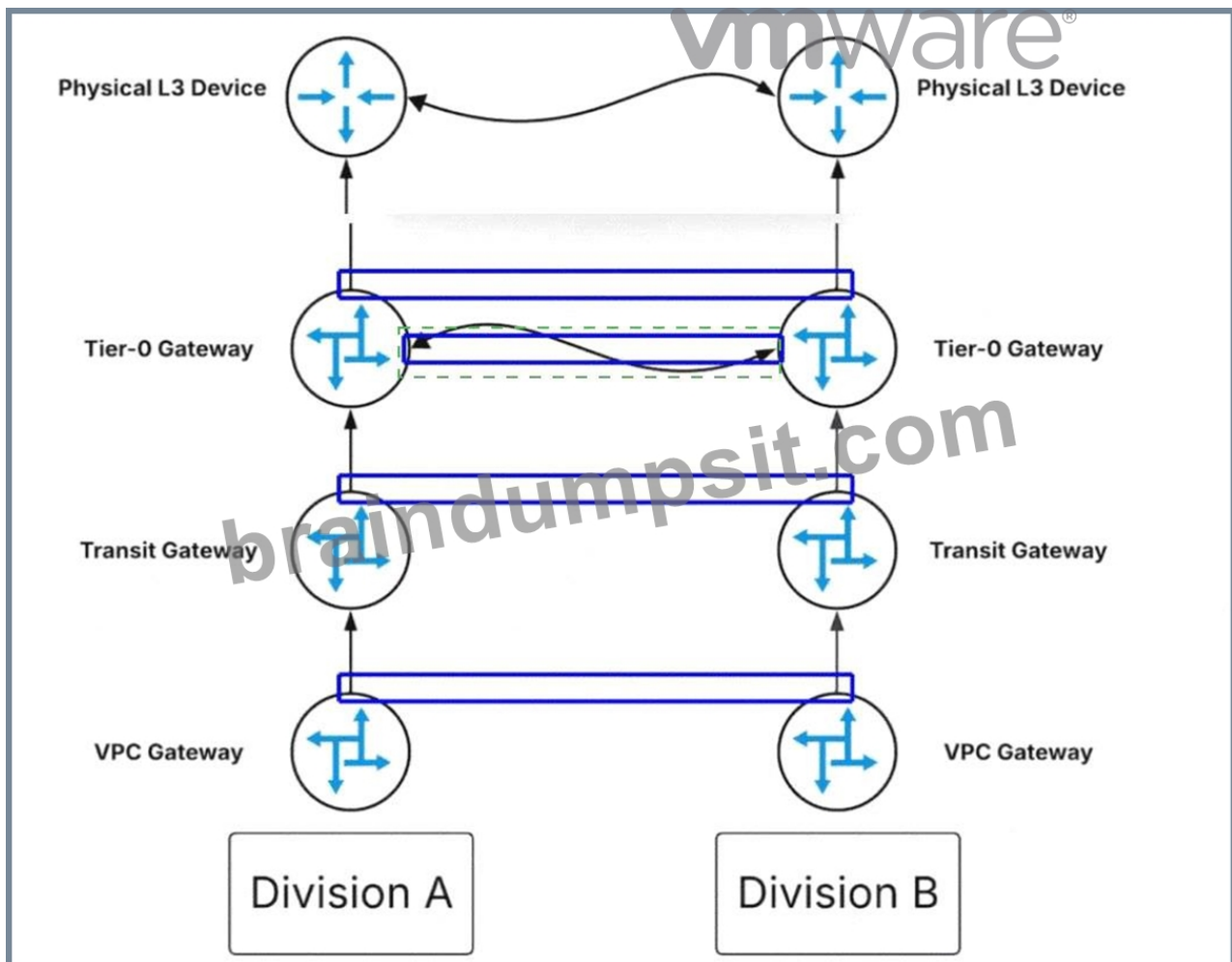
An administrator implements route leaking between the Tier-0 gateways to enhance east/west communication because the physical L3 devices are oversubscribed.

Where should route-maps be configured based on the architecture observed in the diagram?



Answer:

Explanation:



Explanation:

The administrator should click on the blue box representing the logical link between the two Tier-0 Gateways.

In the multi-tenant architecture of VMware Cloud Foundation (VCF) 9.0, networking is structured hierarchically with VPC Gateways, Transit Gateways, and Tier-0 Gateways. Under normal conditions, traffic between isolated divisions (such as Division A and Division B) that need to communicate might be routed

"North" all the way to the Physical L3 Devices (the physical core routers) before being routed back down.

However, if these physical devices are oversubscribed or reaching their throughput limits, this creates a performance bottleneck.

To optimize this flow, NSX allows for Route Leaking at the Tier-0 layer. By establishing a logical peering or connection directly between two Tier-0 Gateways within the virtual fabric, administrators can exchange routing information (prefixes) between the two environments without the traffic ever leaving the SDDC.

To control exactly which networks are shared and to prevent routing loops or unauthorized access, Route-Maps must be applied at this inter-gateway connection point. These route-maps define the "Permit" or "Deny" statements for specific IP prefixes being "leaked" from one routing table to another. By clicking the highlighted link between the Tier-0 Gateways, the administrator is targeting the specific control plane interface where these prefix exchanges occur. This configuration ensures that East-West traffic between Division A and Division B is handled locally by the NSX Edge Nodes, effectively bypassing the oversubscribed physical L3 devices and significantly reducing latency and physical network congestion.

#### NEW QUESTION # 47

An administrator must prevent a new VPC from exporting any of its prefixes to the datacenter while still receiving a default route. Where should the routing policy be applied?

- A. On the VPC default route advertiser
- B. On the VPC's Transit Gateway
- C. On the VPC Gateway Firewall
- D. On the providers' BGP peer template

Answer: B

Explanation:

Comprehensive and Detailed 250 to 350 words of Explanation From VMware Cloud Foundation (VCF) documents:

In the advanced networking architecture of VMware Cloud Foundation (VCF) 9.0 and the evolution of NSX VPCs, the control of route propagation is managed through the relationship between the consumer (the VPC) and the provider (the Tier-0 or Tier-1 Gateway). When a VPC is created, it is logically connected to the provider's infrastructure via a Transit Gateway (or a Provider-side logical router acting as a transit point).

To control the flow of routing information—specifically to prevent the data center's physical network from learning about internal VPC subnets (prefixes) while ensuring the VPC can still reach the outside world via a default route—the routing policy must be applied at the point of intersection. The Transit Gateway serves as this demarcation point. By applying a route filter or prefix list on the Transit Gateway, the administrator can explicitly deny the advertisement of internal VPC prefixes "upstream" to the provider's BGP process. Simultaneously, the provider can still inject or "advertise" a default route (0.0.0.0/0) "downstream" into the VPC.

Applying the policy on the VPC Gateway Firewall (Option D) would impact the data plane (blocking traffic) but would not prevent the routing table from being populated. The BGP peer template (Option C) is too broad, as it would likely affect all VPCs connected to that provider, rather than just the "new VPC" in question. The default route advertiser (Option A) only controls the egress of the default route, not the suppression of internal prefixes. Therefore, the Transit Gateway is the verified location for granular route control in a multi-tenant VCF VPC environment.

### NEW QUESTION # 48

An administrator has observed an NSX Local Manager (LM) outage at the secondary Site. However, the NSX Global Manager (GM) in secondary Site remains operational. What happens to data plane operations and policy enforcement at the secondary site?

- A. All traffic is blocked until secondary site LM recovers.
- **B. The data plane operates normally until LM recovery and reconnection.**
- C. Only local policies work; global policies cease to apply on the secondary site.
- D. Secondary site must failover all workloads to Primary site.

**Answer: B**

Explanation:

Comprehensive and Detailed 250 to 350 words of Explanation From VMware Cloud Foundation (VCF) documents:

The architecture of NSX Federation within a VCF Multi-Site design is built upon a separation of the Control Plane and the Data Plane. This "decoupled" architecture ensures high availability and resiliency even when management components become unavailable. In NSX Federation, the Global Manager (GM) handles the configuration of objects that span multiple locations, while the Local Manager (LM) is responsible for pushing those configurations down to the local Transport Nodes (ESXi hosts and Edges) within its specific site. When a configuration is pushed, the Local Manager communicates with the Central Control Plane (CCP) and subsequently the Local Control Plane (LCP) on the hosts.

If an NSX Local Manager goes offline, the "Management Plane" for that site is lost. This means no new segments, routers, or firewall rules can be created or modified at that site. However, the existing configuration is already programmed into the Data Plane (the kernels of the ESXi hosts and the DPDK process of the Edge nodes).

According to VMware's "NSX Multi-Location Design Guide," the data plane remains fully operational during a Management Plane outage. Existing VMs will continue to communicate, BGP sessions on the Edges will remain established, and Distributed Firewall (DFW) rules will continue to be enforced based on the last known good configuration state cached on the hosts. The data plane does not require constant heartbeats from the Local Manager to forward traffic. Therefore, operations continue normally "headless" until the LM is restored and can resume synchronization with the Global Manager and local hosts. Failover to a primary site (Option D) is only necessary if the actual data plane (hosts/storage) fails, not just the management components.

### NEW QUESTION # 49

An administrator is troubleshooting BGP flapping in a VMware Cloud Foundation (VCF) 9 environment. A Tier-0 Gateway is running in Active/Active mode with two Edge nodes. BFD is enabled on the eBGP sessions to the upstream routers. Each Edge node uses its own uplink IP for BGP. After some network maintenance, one BGP session starts flapping every few minutes. The other BGP sessions stay stable. On the affected Edge node, the command `get bfd-sessions` shows:

\* State: Down

\* Diag: Detect Time Expired

Symptoms:

\* The upstream router also shows the BFD session as Down with control Detection Time Expired.

\* There are no interface errors, no packet loss for normal traffic, and clearing the BFD session temporarily brings it back up - but it flaps again after few minutes.

What is the root cause?

- A. BFD timers are mismatched between Tier-0 Gateway and the upstream routers.
- **B. The MTU does not match on the end-to-end between Tier-0 Gateway and upstream routers.**
- C. BFD is configured in echo mode on the upstream routers.
- D. The Edge nodes are undersized and are experiencing high contention on CPU and drops BFD packets.

**Answer: B**

Explanation:

Comprehensive and Detailed 250 to 350 words of Explanation From VMware Cloud Foundation (VCF) documents:

In a VMware Cloud Foundation (VCF) environment, particularly with the high-performance requirements of North-South routing, BGP and BFD (Bidirectional Forwarding Detection) are used in tandem to ensure rapid failure detection. A common but subtle issue in fresh or modified environments is an MTU (Maximum Transmission Unit) mismatch on the physical or virtual uplinks.

When BGP establishes a neighborship, it initially exchanges small keepalive packets. These small packets easily pass through interfaces even if there is an MTU mismatch (e.g., the Edge is set to 9000 bytes but a physical switch in the path is limited to 1500 bytes). However, once the BGP state reaches "Established," the routers begin exchanging full routing tables. These BGP Update packets are often large and will be fragmented or dropped if they exceed the MTU of any hop in the path.

The symptom described—where the session is stable for a few minutes (during the initial handshake) and then flaps—is the hallmark of an MTU issue. The "Detect Time Expired" diagnostic in BFD occurs because the BGP hold timer expires when it fails to receive the large update packets, or the BFD packets themselves are delayed/lost due to the congestion caused by retrying large, failed transmissions. According to VMware NSX troubleshooting documentation, if pings (small packets) succeed but the BGP session fails specifically when traffic load or route counts increase, the MTU should be the first setting verified.

VCF 9.0 and 5.x designs mandate consistent MTU settings (typically 9000 MTU for the overlay and at least 1500+ for the uplinks) across the entire path, including the virtual switch (VDS), the Edge VM vNICs, and the physical ToR switches. A mismatch here prevents the completion of the BGP state machine's full synchronization, leading to the cyclic "flapping" observed by the administrator.

## NEW QUESTION # 50

.....

No matter which country or region you are in, our 3V0-25.25 exam questions can provide you with thoughtful services to help you pass exam successfully for our 3V0-25.25 study materials are global and warmly praised by the loyal customers all over the world. They have many advantages, and if you want to know or try them before your payment, you can find the free demos of our 3V0-25.25 learning guide on our website, you can free download them to check the excellent quality.

**3V0-25.25 Reliable Test Tutorial:** [https://www.braindumpsit.com/3V0-25.25\\_real-exam.html](https://www.braindumpsit.com/3V0-25.25_real-exam.html)

- Valid 3V0-25.25 Test Sample  3V0-25.25 Pdf Free  3V0-25.25 Latest Test Fee  Search for ( 3V0-25.25 ) and easily obtain a free download on ☀ [www.examcollectionpass.com](http://www.examcollectionpass.com) ☀  3V0-25.25 Certificate Exam
- Quiz 2026 High Hit-Rate 3V0-25.25: Latest Advanced VMware Cloud Foundation 9.0 Networking Dumps Sheet  Search for 《 3V0-25.25 》 and obtain a free download on ( [www.pdfvce.com](http://www.pdfvce.com) )  Answers 3V0-25.25 Real Questions
- Valid 3V0-25.25 Test Sample  Latest 3V0-25.25 Dumps Questions  3V0-25.25 Certificate Exam  The page for free download of 【 3V0-25.25 】 on ➡ [www.prepawaypdf.com](http://www.prepawaypdf.com)   will open immediately  3V0-25.25 Pdf Free
- 3V0-25.25 Valid Test Cram  Online 3V0-25.25 Version  Latest 3V0-25.25 Dumps Questions  Download ➡ 3V0-25.25  for free by simply entering ⇒ [www.pdfvce.com](http://www.pdfvce.com) ⇐ website  3V0-25.25 Test Dumps
- 3V0-25.25 Valid Test Cram  3V0-25.25 Best Preparation Materials  Exam 3V0-25.25 Book  Enter ➡ [www.prep4away.com](http://www.prep4away.com)   and search for [ 3V0-25.25 ] to download for free  3V0-25.25 Best Preparation Materials
- 3V0-25.25 Clearer Explanation  Test 3V0-25.25 Registration  Test 3V0-25.25 Registration  Search for ➡ 3V0-25.25  on 「 [www.pdfvce.com](http://www.pdfvce.com) 」 immediately to obtain a free download  Test 3V0-25.25 Registration
- Achieve VMware 3V0-25.25 Certification Without Difficulty with the Help of [www.pass4test.com](http://www.pass4test.com) Exam Questions  Search for ➡ 3V0-25.25  and obtain a free download on > [www.pass4test.com](http://www.pass4test.com)  Exam 3V0-25.25 Pattern
- 3V0-25.25 Test Dumps  Exam 3V0-25.25 Book ↖ 3V0-25.25 Latest Study Plan  Enter ☀ [www.pdfvce.com](http://www.pdfvce.com) ☀  and search for ▶ 3V0-25.25 ◀ to download for free  Test 3V0-25.25 Passing Score
- 3V0-25.25 Valid Test Cram  Exam 3V0-25.25 Book  Test 3V0-25.25 Duration  Simply search for ( 3V0-25.25 ) for free download on [ [www.prepawayexam.com](http://www.prepawayexam.com) ]  3V0-25.25 Latest Study Plan
- Online 3V0-25.25 Version  3V0-25.25 Test Dumps Pdf  Test 3V0-25.25 Registration  Enter ⇒ [www.pdfvce.com](http://www.pdfvce.com) ⇐ and search for “ 3V0-25.25 ” to download for free  Exam 3V0-25.25 Pattern
- 3V0-25.25 Certificate Exam  Online 3V0-25.25 Version  Exam 3V0-25.25 Pattern  Open [ [www.pdfdumps.com](http://www.pdfdumps.com) ] enter 【 3V0-25.25 】 and obtain a free download  Exam 3V0-25.25 Book
- [bookmarkquotes.com](http://bookmarkquotes.com), [bookmarketmaven.com](http://bookmarketmaven.com), [joantbmn561721.qodsblog.com](http://joantbmn561721.qodsblog.com), [artybookmarks.com](http://artybookmarks.com)

frasencj744153.blog2news.com, myportal.utt.edu.tt, myportal.utt.edu.tt, myportal.utt.edu.tt, myportal.utt.edu.tt,  
myportal.utt.edu.tt, myportal.utt.edu.tt, myportal.utt.edu.tt, myportal.utt.edu.tt, myportal.utt.edu.tt, myportal.utt.edu.tt,  
www.stes.tyc.edu.tw, thedeepdirectory.com, socialmediatotal.com, jasperrywaz805374.theateblog.com, Disposable vapes

P.S. Free & New 3V0-25.25 dumps are available on Google Drive shared by BraindumpsIT: [https://drive.google.com/open?id=1pFXMkF9J\\_rXTgP3GZgvjFRC9umCX5PjM](https://drive.google.com/open?id=1pFXMkF9J_rXTgP3GZgvjFRC9umCX5PjM)