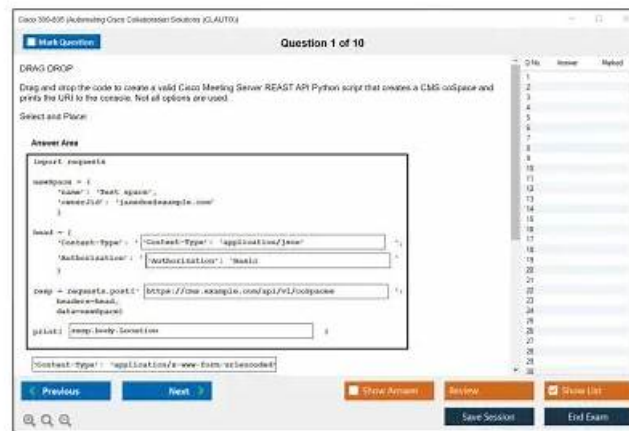


Interactive Cisco 300-835 Practice Exam - 300-835 Reliable Test Answers



P.S. Free & New 300-835 dumps are available on Google Drive shared by iPassleader: <https://drive.google.com/open?id=1hE0O9ax73eJh-Pqjqa4Ntu568SFE33kV>

There are some main features of our products and we believe you will be satisfied with our 300-835 test questions. Our study materials have enough confidence to provide the best 300-835 exam torrent for your study to pass it. With many years work experience, we have fast reaction speed to market change and need. In this way, we have the latest 300-835 Guide Torrent. You don't worry about that how to keep up with the market trend, just follow us.

Cisco 300-835 Exam is a valuable certification for professionals who are working with Cisco Collaboration Solutions and want to advance their skills in programming and automation. Automating and Programming Cisco Collaboration Solutions certification validates the candidate's knowledge and skills in programming and automation of Cisco Collaboration Solutions, which is essential for career advancement in this field.

>> Interactive Cisco 300-835 Practice Exam <<

Valid Cisco Interactive 300-835 Practice Exam and Excellent 300-835 Reliable Test Answers

iPassleader has already become a famous brand all over the world in this field since we have engaged in compiling the 300-835 practice materials for more than ten years and have got a fruitful outcome. You are welcome to download the 300-835 free demos to have a general idea about our 300-835 training materials. We have prepared three kinds of different versions of our 300-835 Practice Test: PDF, Online App and software. Furthermore, our customers can accumulate exam experience as well as improving their exam skills in the 300-835 mock exam. And your success is 100 guaranteed for our high pass rate as 99%.

Cisco Automating and Programming Cisco Collaboration Solutions Sample Questions (Q73-Q78):

NEW QUESTION # 73

Refer to the exhibit. A Webex Meetings XML API HTTP request message with several invalid portions is shown. Which reference points to a line in the exhibit that correctly indicates that this is a LstsummaryUser request?

```

1 POST /WBXService/XMLService/LstsummaryUser HTTP/1.1
2 Content-Type: application/xml
3 Host: api.webex.com
4 Content-Length: 974
5
6 <?xml version="1.0" encoding="UTF-8"?>2 <serv:message xmlns:serv="http://www.webex.com/schemas/2002/06/service"
7   xmlns:xsi="http://www.w3.org/2001/XMLSchema-instance">
8   <header>
9     <securityContext>
10      <siteName>apidemoeu</siteName>
11      <webExID>janedoe@example.com</webExID>
12      <sessionTicket>AAABb5LTcGcAABUYA0gAKEgyU</sessionTicket>
13    </securityContext>
14    <action>java:com.webex.service.binding.meeting.LstsummaryUser</action>
15  </header>
16  <body>
17    <method>java:com.webex.service.binding.meeting.LstsummaryUser</method>
18    <bodyContent xsi:type="java:com.webex.service.binding.meeting.LstsummaryUser">
19      <webExID>{WEBEXID}</webExID>
20    </bodyContent>
21  </body>
22 </serv:message>

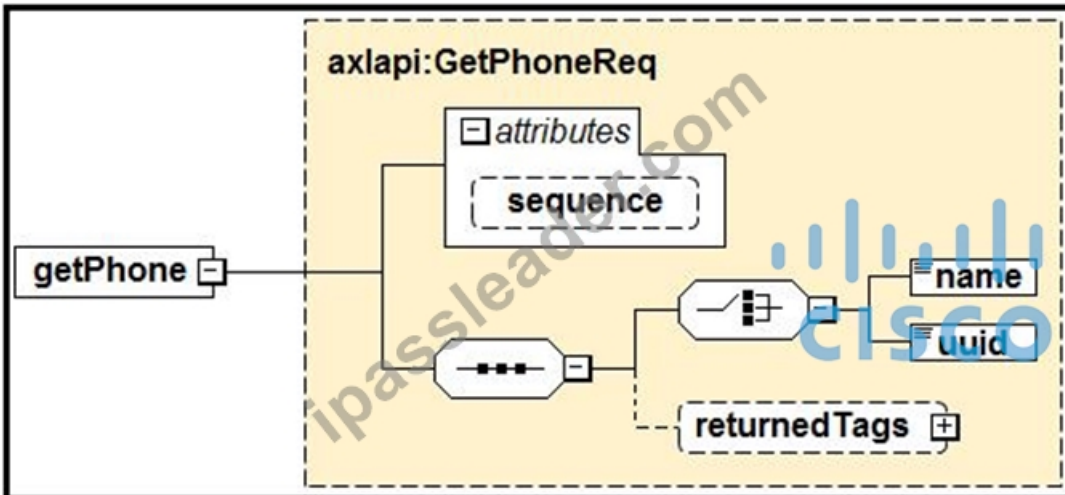
```

- A. line 1
- B. line 14
- C. line 17
- D. line 18

Answer: D

NEW QUESTION # 74

Refer to the exhibit. Based on the schema diagram in the exhibit, which two XML objects are valid AXL <getPhone> request <Body> elements? (Choose two.)



- A.

```

<soapenv:Body>
  <ns:getPhone sequence="1">
    <uuid>{2B1931A2-8FC2-A0C2-7282-B88B5A6356A0}</uuid>
  </ns:getPhone>
</soapenv:Body>

```

- B.

```

<soapenv:Body>
  <ns:getPhone>
    <name>BOT209342098</name>
    <returnedTags><model/></returnedTags>
  </ns:getPhone>
</soapenv:Body>

```

```

<soapenv:Body>
  <ns:getPhone sequence="1">
    <name>BOT209342098</name>
    <returnedtags><model/></returnedtags>
  </ns:getPhone>
</soapenv:Body>

```

• C.

```

<soapenv:Body>
  <ns:getPhone sequence="1">
    <name>BOT209342098</name>
    <returnedTags>All</returnedTags>
  </ns:getPhone>

```

• D. </soapenv:Body>

```

<soapenv:Body>
  <ns:getPhone>
    <name>BOT209342098</name>
    <uuid>{2B1931A2-8FC2-A0C2-7282-B88B5A6356A0}</uuid>
  </ns:getPhone>
</soapenv:Body>

```

• E.

Answer: B,C

NEW QUESTION # 75

What are two key features of Cisco Unified Communications Manager Serviceability APIs? (Choose two.)

- A. scan servers and devices for malware
- B. connect to serial console on phone hardware
- C. real-time monitoring of components
- D. configure firewall rules on phone hardware
- E. save alarms and events for troubleshooting

Answer: C,E

NEW QUESTION # 76

Drag and drop the code from the bottom onto the box where the code is missing in the JavaScript code to schedule a meeting on a future date. Not all options are used.

Select and Place:

Answer Area



```
var request = require("request");

const options = {
  method: "POST",
  uri: "https://api.ciscospark.com/v1/meetings",
  headers: {
    "Host": "api.ciscospark.com",
    [redacted],
    "Authorization": "Bearer aQz2madfN1N2tsfZYi00TFWE4a6aa4",
  },
  body: {
    "title": "Project Update",
    "password": [redacted],
    "start": "2020-06-05T18:00:00+0000",
    "end": "2020-06-05T18:30:00+0000",
    "recurrence": "FREQ=DAILY;INTERVAL=1;COUNT=20",
    "enabledAutoRecordMeeting": false,
    [redacted]
  },
  json: true
}

request(options, function(error, response){
  if(response.statusCode!=200){
    console.log("Something unexpected happened status:",
      response.statusCode);
  }
  console.log(response.body);
});
```

- "allowAnyUserToBeCoHost": false
- [redacted]
- Null
- "timezone": "Europe/Athens",
- "Content-Type": "application/json",

Answer:

Explanation:

Answer Area

```
var request = require("request");

const options = {
  method: "POST",
  uri: "https://api.ciscospark.com/v1/meetings",
  headers: {
    "Host": "api.ciscospark.com",
    "Content-Type": "application/json",
    "Authorization": "Bearer aQz2madfN1N2tsfZYi00TFWE4a6ca4",
  },
  body: {
    "title": "Project Update",
    "password": "p@ssw0rd",
    "start": "2020-06-05T18:00:00+0000",
    "end": "2020-06-05T18:30:00+0000",
    "recurrence": "FREQ=DAILY;INTERVAL=1;COUNT=20",
    "enableAutoRecordMeeting": false,
    "timezone": "Europe/Athens",
  },
  json: true
}

request(options, function(error, response){
  if(response.statusCode!=200){
    console.log("Something unexpected happened status:",
      response.statusCode);
  }
  console.log(response.body);
});
```

"allowAnyUserToBeCoHost": false

"p@ssw0rd",

Null

"timezone": "Europe/Athens",

"Content-Type": "application/json",

NEW QUESTION # 77

Refer to the exhibit.

```
<?xml version="1.0" encoding = "UTF-8"?>
<serv:message xmlns:serv="http://www.webex.com/schemas/2002/06/service"
  xmlns:xsi="http://www.w3.org/2001/XMLSchema-instance">
  <header>
    <securityContext>
      <siteName>apidemoeu</siteName>
      <webExID>alice@example.com</webExID>
      <sessionTicket>AAABb6TooBMAABUYA0gAKZgyU0sAAAAE9FpXDKRKO</sessionTicket>
    </securityContext>
  </header>
  <body>
    [Empty Box]
  </body>
</serv:message>
```

Alice is a Webex Meetings admin for her organization. Which code snippet completes a Webex Meetings XML API request that returns all users?

- A. `<bodyContent xsi:type=<java:com.webex.service.binding.user.GetUser">
<webExID></webExID>
</bodyContent>`
- B. `<bodyContent xsi:type=<java:com.webex.service.binding.user.LstsummaryUser">
</bodyContent>`
- C. `<bodyContent xsi:type=<java:com.webex.service.binding.user.GetUser">
</bodyContent>`
- D. `<bodyContent xsi:type=<java:com.webex.service.binding.user.LstsummaryUser">
<webExID>*</webExID>
</bodyContent>`

- A. Option A
- B. Option D
- C. Option B
- D. Option C

Answer: A

NEW QUESTION # 78

.....

You can access our web-based Automating and Programming Cisco Collaboration Solutions (300-835) practice exam from anywhere with an internet connection, and fit your studying into your busy schedule. No more traveling to a physical classroom, wasting time and money on gas or public transportation. With the web-based Cisco 300-835 Practice Test, you can evaluate and enhance your progress. Customizable web-based mock exam creates a real Automating and Programming Cisco Collaboration Solutions (300-835) exam environment and works on all operating systems.

300-835 Reliable Test Answers: <https://www.ipassleader.com/Cisco/300-835-practice-exam-dumps.html>

- 300-835 Valid Exam Book Latest 300-835 Exam Papers Latest 300-835 Exam Bootcamp Download 300-835 for free by simply entering www.practicevce.com website 300-835 New Test Bootcamp
- Latest 300-835 Exam Topics Test 300-835 Pdf Latest 300-835 Exam Bootcamp Easily obtain 300-835 for free download through www.pdfvce.com 300-835 New Test Bootcamp
- 300-835 Reliable Torrent Reliable 300-835 Exam Price Test 300-835 Pdf Immediately open “www.prepawayexam.com” and search for **【 300-835 】** to obtain a free download PDF 300-835 VCE
- The Best Interactive 300-835 Practice Exam - Leading Provider in Qualification Exams - Complete 300-835 Reliable Test Answers Search for 300-835 and easily obtain a free download on www.pdfvce.com Vce 300-835 Torrent
- 300-835 Dumps PDF Format Practice Test Search on www.verifieddumps.com for “ 300-835 ” to obtain exam materials for free download 300-835 Latest Exam Registration
- 100% Pass Quiz Cisco - 300-835 -High Pass-Rate Interactive Practice Exam Search for { 300-835 } and download it for free immediately on www.pdfvce.com Authorized 300-835 Certification
- Vce 300-835 Torrent Test 300-835 Pdf Valid 300-835 Exam Cram Go to website www.pdfdumps.com open and search for 300-835 to download for free Test 300-835 Pdf
- Preparation 300-835 Store PDF 300-835 VCE Latest 300-835 Exam Topics Simply search for 300-835 for free download on www.pdfvce.com Latest 300-835 Exam Papers
- Get 100% Pass Rate Interactive 300-835 Practice Exam and Pass Exam in First Attempt Search for 300-835 and download it for free on www.dumpsmaterials.com website Preparation 300-835 Store
- Verified Interactive 300-835 Practice Exam - Well-Prepared - Realistic 300-835 Materials Free Download for Cisco 300-835 Exam Open website www.pdfvce.com and search for 300-835 for free download 300-835 VCE Dumps
- 300-835 latest exam vce - 300-835 test dumps - 300-835 pdf torrent Download 300-835 for free by simply searching on www.testkingpass.com 300-835 Cert
- kathrynluetz317438.get-blogging.com, bookmarkingfeed.com, bookmarkleader.com, tessgvk670121.luwebs.com, kiananile175841.myparisblog.com, directmysocial.com, lilylwik679655.activablog.com, yoursocialpeople.com, briansotr871139.ziblogs.com, chiaraxgym715035.blogdeazar.com, Disposable vapes

DOWNLOAD the newest iPassleader 300-835 PDF dumps from Cloud Storage for free: <https://drive.google.com/open?id=1hE009ax73eJh-Pqjqa4Ntu568SFE33kV>