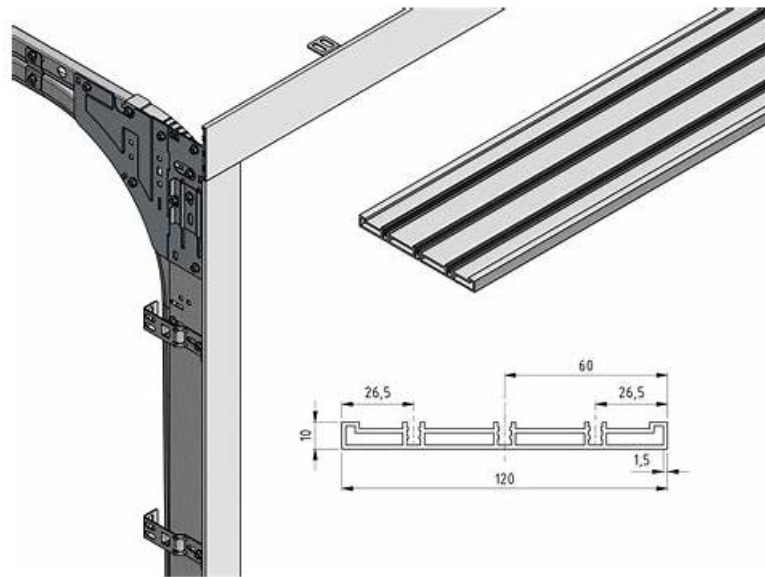


2026 C1000-174 New Dumps Sheet | Reliable C1000-174: IBM WebSphere Application Server Network Deployment v9.0.5 Administrator 100% Pass



BTW, DOWNLOAD part of Itcertkey C1000-174 dumps from Cloud Storage: <https://drive.google.com/open?id=1D5jeIyLlK4mvMZ98tJ6WyAyIxlOTbO-W>

The value of professional qualification has been shown to rise with time. For the advancement of your profession, exams like the IBM exam given by IBM are crucial. Candidates aim to pass the IBM WebSphere Application Server Network Deployment v9.0.5 Administrator exam on their first attempt. With IBM C1000-174 Exam Questions, applicants may study for and pass their desired certification exam on the first attempt. You may use Itcertkey's top C1000-174 study resources to prepare for the IBM WebSphere Application Server Network Deployment v9.0.5 Administrator exam. The IBM C1000-174 exam questions offered by Itcertkey are dependable and trustworthy sources of preparation.

Another significant challenge of undertaking a IBM C1000-174 exam is defining clear goals. Many students get bogged down by the volume of material they need to learn and lose sight of their goals. Thus, our IBM C1000-174 Real Exam Questions in three formats provide you with the clear cut C1000-174 preparation materials and defined goals to comprehensively prepare in the shortest possible time.

>> C1000-174 New Dumps Sheet <<

Updated IBM C1000-174 Questions - Effortless Solution To Pass Exam

The IBM C1000-174 Certification is a valuable certificate that is designed to advance the professional career. With the IBM WebSphere Application Server Network Deployment v9.0.5 Administrator (C1000-174) certification exam seasonal professionals and beginners get an opportunity to demonstrate their expertise. The IBM WebSphere Application Server Network Deployment v9.0.5 Administrator certification exam recognizes successful candidates in the market and provides solid proof of their expertise.

IBM WebSphere Application Server Network Deployment v9.0.5 Administrator Sample Questions (Q239-Q244):

NEW QUESTION # 239

A configuration checkpoint could not be restored and could only be viewed.
What could be the reason?

- A. The user ID being used was configured as an Operator.
- B. The antivirus software on the system prevents restoration.

- C. File system permissions have prevented restoration.
- D. Configuration checkpoint has been corrupted on the file system.

Answer: A

NEW QUESTION # 240

An administrator installs IBM WebSphere Application Server and an HTTP server, but when configuring the environment, the administrator finds that the WebSphere Plug-in is missing. Which tool can be used to fix this issue?

- **A. Integrated Solutions Console**
- B. IBM Installation Manager
- C. Profile Management Tool
- D. Customization Tool Box

Answer: A

NEW QUESTION # 241

What is the purpose of the 'Server Status' tool in WebSphere Application Server?

- A. It monitors the physical server's CPU usage.
- B. It logs the server's historical performance.
- C. It reports network latency issues.
- **D. It checks the status of individual server instances.**

Answer: D

NEW QUESTION # 242

A administrator has configured memory to memory (M2M) session persistence for a large WebSphere Application Server ND cluster with a dedicated data replication service (DRS) domain. How can they keep the DRS domain secure?

- A. Select encryption type DES and TRIPLE_DES.
- **B. Select DCS-Secure as transport chain under Core Group name.**
- C. Select encryption type DES and TRIPLE_DES and regenerate the encryption key periodically.
- D. Nothing needs to be done, the environment is secured when using M2M session persistence.

Answer: B

NEW QUESTION # 243

Which tier interacts directly with the end-user in a multi-tier architecture?

- A. Data tier
- **B. Presentation tier**
- C. Application tier
- D. Communication tier

Answer: B

NEW QUESTION # 244

.....

Our C1000-174 study guide boasts many merits and functions. You can download and try out our C1000-174 test question freely before the purchase. You can use our product immediately after you buy our product. We provide 3 versions for you to choose and you only need 20-30 hours to learn our C1000-174 training materials and prepare the exam. The passing rate and the hit rate are both high. We provide 24-hours online customer service and free update within one year. And if you have a try on our C1000-174

